

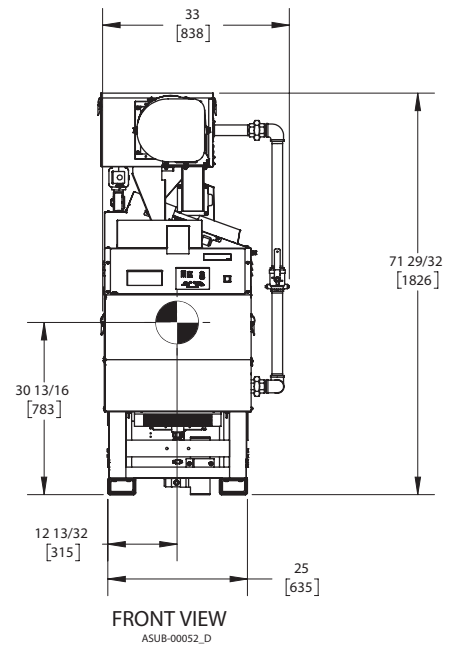
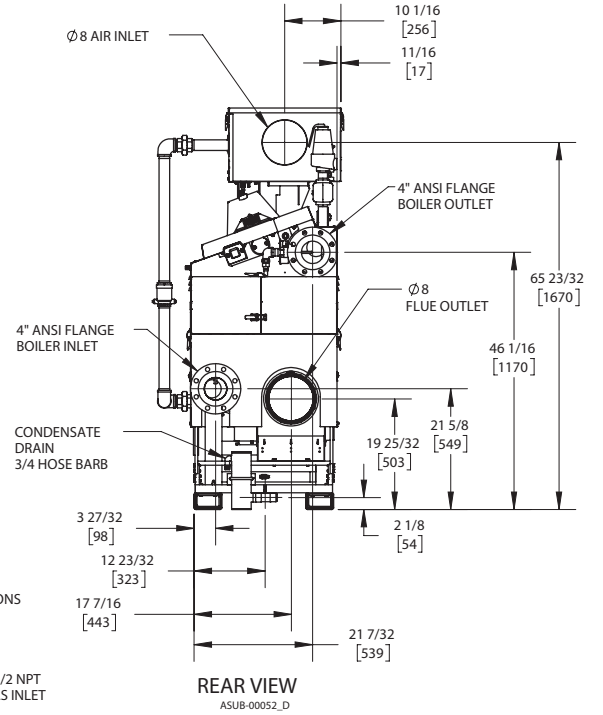
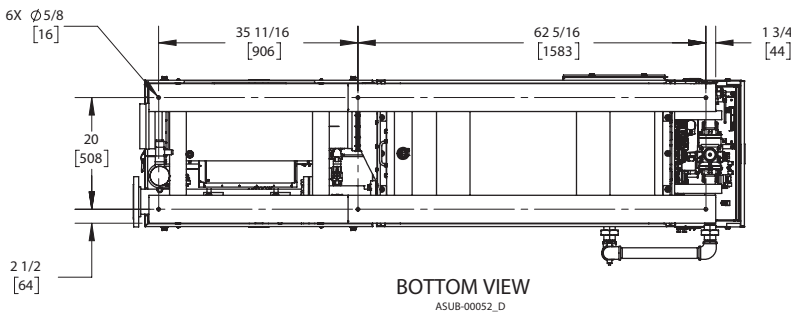
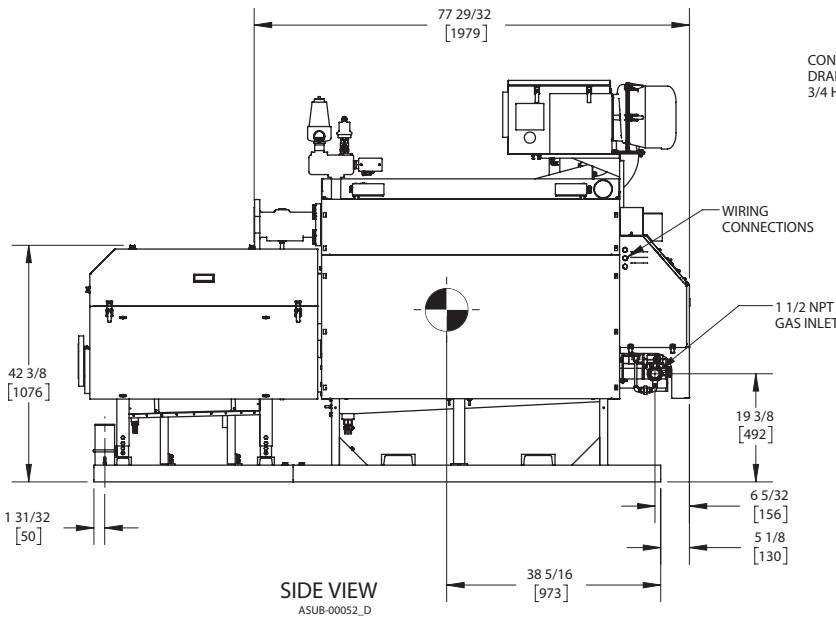
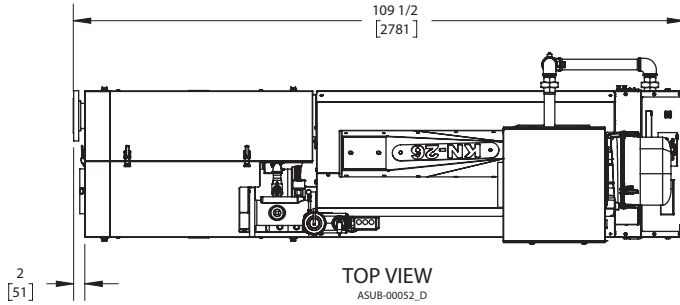
KN26+

Category II or Category IV Appliance
(see Installation and Operation Manual for venting information)

CODE OPTIONS

CSD-1	STANDARD
-------	----------

INDOOR UNIT



NOTES:

1. SYMBOL INDICATES CENTER OF GRAVITY.
2. DIMENSIONS ARE NOMINAL AND SUBJECT TO MANUFACTURING VARIATION AND SHOULD NOT BE USED FOR "ROUGHING IN".
3. ALL DIMENSIONS ARE INCHES [mm].



A.G.A. CERTIFIED RATINGS & CAPACITIES

Fuel Type	Natural/LP Gas	Boiler FLA	16.85 A*
Input BTU/hr.	2,600,000 / 762 KW	Min. Gas Pressure Required	3" W.C.
Output BTU/hr.	2,498,600 / 732 KW	Max. Gas Pressure Allowed	14" W.C.
Boiler HP	74.6	Water Volume	31.9 gal.
Electrical Requirements	230VAC/60 hz/3PH	Operating Weight	3840 lbs. / 1742 kg.
SCCR Rating	5kA		

BOILER TRIM & CONTROLS

Main Gas Valve	Dungs MBC	Air Switch	Huba
Firing Valve	1-1/2" Apollo	Flow Sensor	SIKA
Ignition Control	Honeywell RM7895C	Blocked Flue Switch	Cleveland NS2
Operating Control	HeatNet®	Blower Motor	Ametek
High Limit (Manual Reset)	Honeywell L4006E	L.W.C.O.	800
High Limit (Auto Reset)	Honeywell L4006A	Relief Valve	30, 50, 75 & 100 PSI
Main Ball Valve	1-1/2" Apollo	Pilot Regulator	Maxitrol RV12LT
Pilot Cock	1/4" Conbraco		

A.S.M.E.

ASME Sect IV Fire Side Htg Surface	93.08 Sq. Ft. / 8.65 Sq. M.	Design Data	100 PSI & 250°F
ASME Sect IV Water Side Htg Surface	99.53 Sq. Ft. / 9.25 Sq. M.		
CV. GPM (1PSID)	222		

*Add circulator amps.

TEMPERATURE RISE / PRESSURE DROP (Based on Full Input)

20°F / 11.1°C				40°F / 22.2°C				60°F / 33.3°C				80°F / 44.4°C				100°F / 55.5°C			
Flow Rate		Pressure Drop		Flow Rate		Pressure Drop		Flow Rate		Pressure Drop		Flow Rate		Pressure Drop		Flow Rate		Pressure Drop	
GPM	L/s	Ft	kPa	GPM	L/s	Ft	kPa	GPM	L/s	Ft	kPa	GPM	L/s	Ft	kPa	GPM	L/s	Ft	kPa
250.0	15.77	2.93	8.74	125.0	7.89	.73	2.19	83.3	5.26	.33	.97	62.5	3.94	.18	.55	50.0	3.15	.12	.35

Flow GPM		Temp. Rise** (°F)		Vent Length (Equiv. Ft.)		Air Inlet Length (Equiv. Ft.)	
Min	Max	Min	Max	Min	Max	Min	Max
50.0	250.0	20	100	6	100	0	100

**Min/Max delta t reflects boiler operation at full input. For applications requiring operation above/below these parameters please consult factory.

REP FIRM	_____	 <p>KN26+</p> <p>Category II or Category IV Appliance (see Installation and Operation Manual for venting information)</p>  <p>A Division of Mestek, Inc. Westfield, MA 01085 (413) 564-5515</p>
SUBMITTED BY	_____	
JOB NAME	_____	
ARCHITECT	_____	
ENGINEER	_____	
CONTRACTOR	_____	
DATE	_____	