

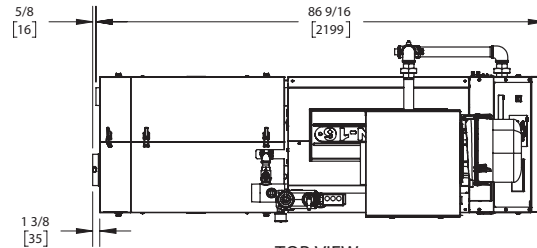
# KN16+ DUAL FUEL

Category II or Category IV Appliance  
(see Installation and Operation Manual for venting information)

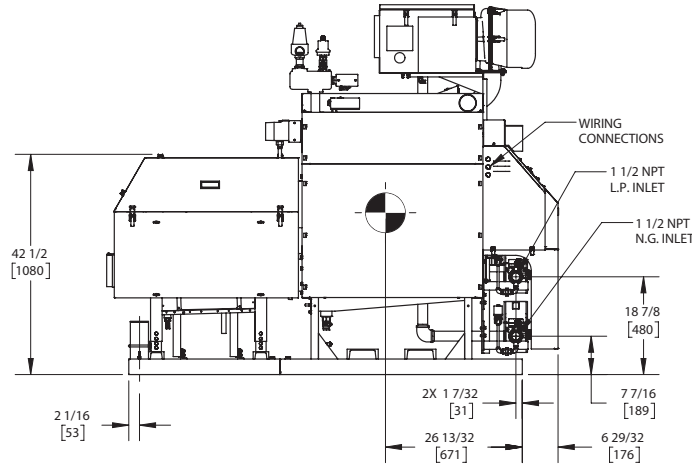
## CODE OPTIONS

CSD-1	STANDARD
-------	----------

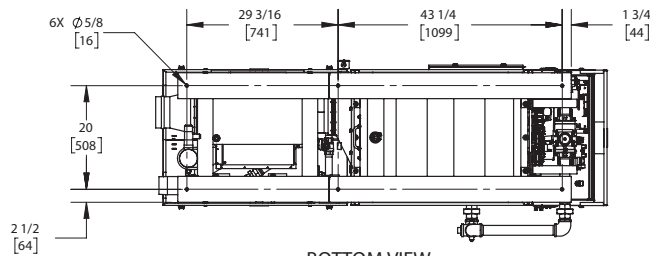
## INDOOR UNIT



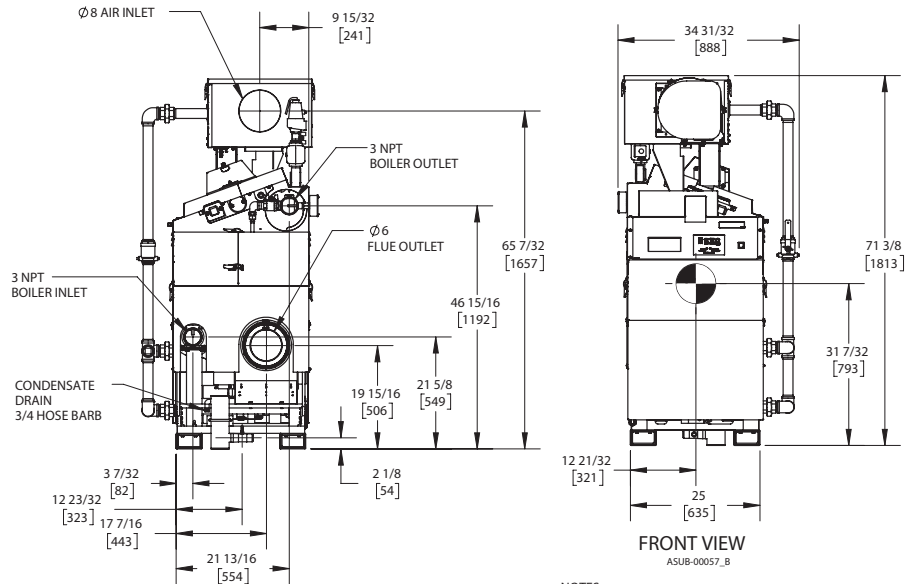
TOP VIEW  
ASUB-00057\_B



SIDE VIEW  
ASUB-00057\_B



BOTTOM VIEW  
ASUB-00057\_B



REAR VIEW  
ASUB-00057\_B

FRONT VIEW  
ASUB-00057\_B

NOTES:

1. SYMBOL INDICATES CENTER OF GRAVITY.
2. DIMENSIONS ARE NOMINAL AND SUBJECT TO MANUFACTURING VARIATION AND SHOULD NOT BE USED FOR "ROUGHING IN".
3. ALL DIMENSIONS ARE INCHES (mm).



## A.G.A. CERTIFIED RATINGS & CAPACITIES

<b>Fuel Type</b>	Natural/LP Gas	<b>Boiler FLA</b>	13.9 A*
<b>Input BTU/hr.</b>	1,600,000 / 469 KW	<b>Min. Gas Pressure Required</b>	3" W.C.
<b>Output BTU/hr.</b>	1,537,600 / 450 KW	<b>Max. Gas Pressure Allowed</b>	14" W.C.
<b>Boiler HP</b>	45.9	<b>Water Volume</b>	21.0 gal.
<b>Electrical Requirements</b>	230VAC/60 hz/1PH (with neutral)	<b>Operating Weight</b>	2690 lbs. / 1220 kg.
<b>SCCR Rating</b>	5kA		

## BOILER TRIM & CONTROLS

<b>Main Gas Valve</b>	Dungs MBC	<b>Air Switch</b>	Huba
<b>Firing Valve</b>	1-1/2" Apollo	<b>Flow Sensor</b>	SIKA
<b>Ignition Control</b>	Honeywell RM7895C	<b>Blocked Flue Switch</b>	Cleveland NS2
<b>Operating Control</b>	HeatNet®	<b>Blower Motor</b>	Ametek
<b>High Limit</b>	Honeywell L4006E	<b>L.W.C.O.</b>	800
<b>Main Ball Valve</b>	1-1/2" Apollo	<b>Relief Valve</b>	30, 50, 75 & 100 PSI
<b>Pilot Cock</b>	1/4" Conbraco	<b>Pilot Regulator</b>	Maxitrol RV12LT

## A.S.M.E.

<b>ASME Fire Side Htg Surface</b>	54.43 Sq. Ft. / 5.06 Sq. M.	<b>Design Data</b>	100 PSI & 250°F
<b>ASME Water Side Htg Surface</b>	72.91 Sq. Ft. / 6.77 Sq. M.		
<b>CV. GPM (1PSID)</b>	140		

\*Add circulator amps.

## TEMPERATURE RISE / PRESSURE DROP (Based on Full Input)

20°F / 11.1°C				40°F / 22.2°C				60°F / 33.3°C				80°F / 44.4°C				100°F / 55.5°C			
Flow Rate		Pressure Drop		Flow Rate		Pressure Drop		Flow Rate		Pressure Drop		Flow Rate		Pressure Drop		Flow Rate		Pressure Drop	
GPM	L/s	Ft	kPa	GPM	L/s	Ft	kPa	GPM	L/s	Ft	kPa	GPM	L/s	Ft	kPa	GPM	L/s	Ft	kPa
153.8	9.70	2.79	8.33	76.9	4.85	.70	2.08	51.3	3.23	.31	.93	38.5	2.43	.17	.52	30.8	1.94	.11	.33

Flow GPM		Temp. Rise** (°F)		Vent Length (Equiv. Ft.)		Air Inlet Length (Equiv. Ft.)	
Min	Max	Min	Max	Min	Max	Min	Max
30.8	153.8	20	100	6	100	0	100

\*\*Min/Max delta t reflects boiler operation at full input. For applications requiring operation above/below these parameters please consult factory.

**REP FIRM** \_\_\_\_\_  
**SUBMITTED BY** \_\_\_\_\_  
**JOB NAME** \_\_\_\_\_  
**ARCHITECT** \_\_\_\_\_  
**ENGINEER** \_\_\_\_\_  
**CONTRACTOR** \_\_\_\_\_  
**DATE** \_\_\_\_\_

# KN16+ DUAL FUEL

**Category II or Category IV Appliance**  
(see Installation and Operation Manual for venting information)



A Division of Mestek, Inc.  
Westfield, MA 01085  
(413) 564-5515