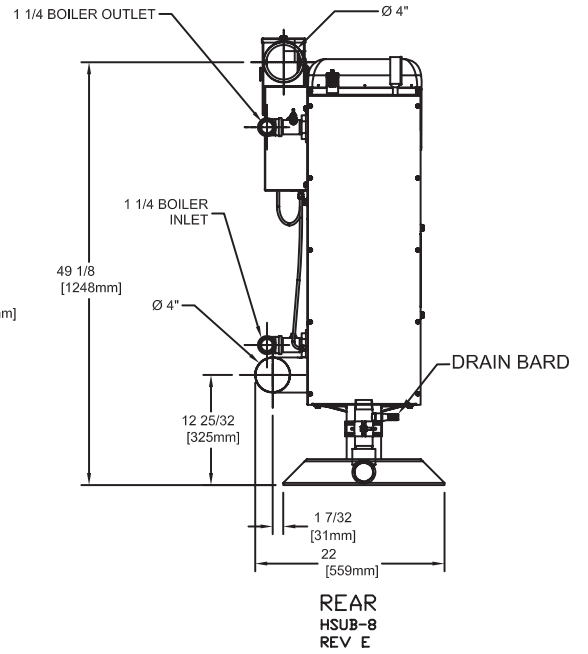
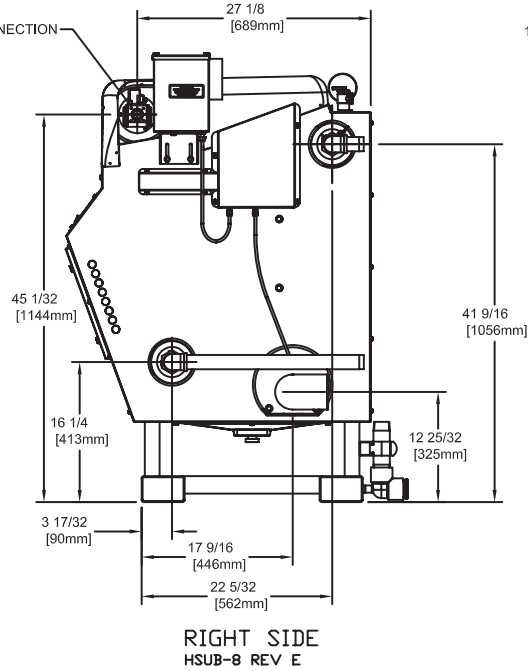
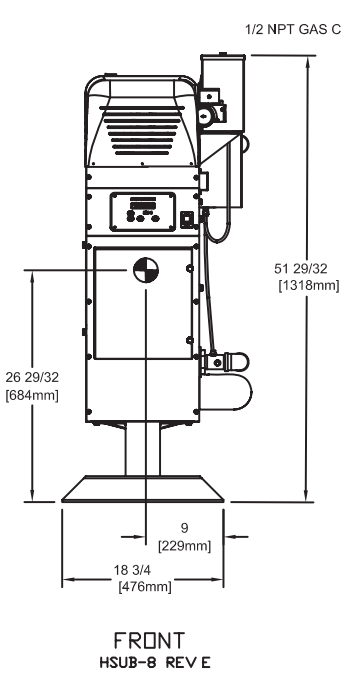
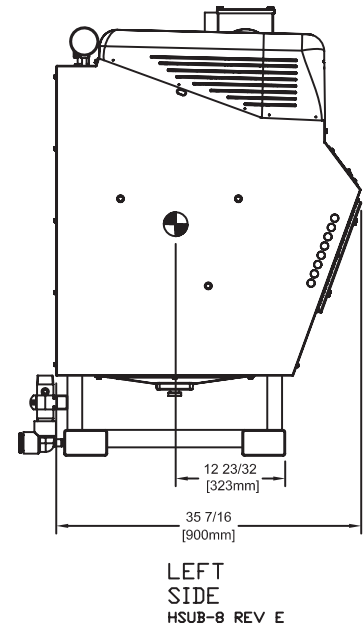
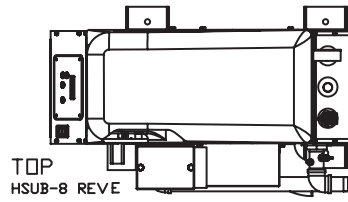
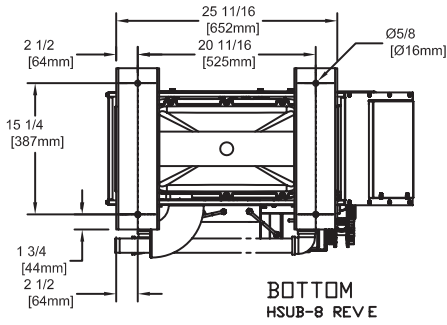


# KN-4

**Category II or Category IV Appliance**  
 (see Installation and Operation Manual for venting information)

## CODE OPTIONS

CSD-1	STANDARD
-------	----------



## A.G.A. CERTIFIED RATINGS & CAPACITIES

<b>Fuel Type</b>	Natural/LP Gas	<b>Boiler FLA</b>	5 A*
<b>Input BTU/hr.</b>	399 MBH / 117 KW	<b>Min. Gas Pressure Required</b>	2" W.C.
<b>Output BTU/hr.</b>	359 MBH / 105 KW	<b>Max. Gas Pressure Allowed</b>	14" W.C.
<b>Boiler HP</b>	10.7	<b>Water Volume</b>	5.9 gal.
<b>Electrical Requirements</b>	120VAC/ 60 hz/ 1PH	<b>Operating Weight</b>	827 lbs. / 375 kg.

## BOILER TRIM & CONTROLS

<b>Main Gas Valve</b>	Dungs GB-WND	<b>Air Switch</b>	Cleveland NS-2
<b>Ignition Control</b>	Fenwal 35-60	<b>Blower Motor</b>	Ametek
<b>Operating Control</b>	HeatNet®	<b>Relief Valve</b>	30, 50, 75 & 100 PSI
<b>High Limit</b>	P-SW-1300-4-X		

## A.S.M.E.

<b>ASME Sect IV Fire Side Htg Surface</b>	19.95 Sq. Ft. / 1.85 Sq. M.	<b>Design Data</b>	100 PSI & 250°F
<b>ASME Sect IV Water Side Htg Surface</b>	21.33 Sq. Ft. / 1.98 Sq. M.		
<b>CV. GPM (1PSID)</b>	40		


\*Add circulator amps.

## TEMPERATURE RISE / PRESSURE DROP (Based on Full Input)

20°F / 11.1°C				40°F / 22.2°C				60°F / 33.3°C				80°F / 44.4°C				100°F / 55.5°C			
Flow Rate		Pressure Drop		Flow Rate		Pressure Drop		Flow Rate		Pressure Drop		Flow Rate		Pressure Drop		Flow Rate		Pressure Drop	
GPM	L/s	Ft	kPa	GPM	L/s	Ft	kPa	GPM	L/s	Ft	kPa	GPM	L/s	Ft	kPa	GPM	L/s	Ft	kPa
36.0	2.30	1.90	5.60	18.0	1.10	.50	1.40	12.0	.80	.21	.60	9.00	.60	.12	.30	7.2	.50	.07	.22

Flow GPM				Temp. Rise** (°F)				Vent Length (Equiv. Ft.)				Air Inlet Length (Equiv. Ft.)			
Min		Max		Min		Max		Min		Max		Min		Max	
7.2		36		20		100		6		100		0		100	

\*\*Min/Max delta t reflects boiler operation at full input. For applications requiring operation above/below these parameters please consult factory.

<b>REP FIRM</b>	_____	<h1 style="margin: 0;">KN-4</h1> <p style="margin: 0;"><b>Category II or Category IV Appliance</b> (see Installation and Operation Manual for venting information)</p>
<b>SUBMITTED BY</b>	_____	
<b>JOB NAME</b>	_____	
<b>ARCHITECT</b>	_____	
<b>ENGINEER</b>	_____	
<b>CONTRACTOR</b>	_____	
<b>DATE</b>	_____	 <p>A Division of Mestek, Inc. Westfield, MA 01085 (413) 564-5515</p>