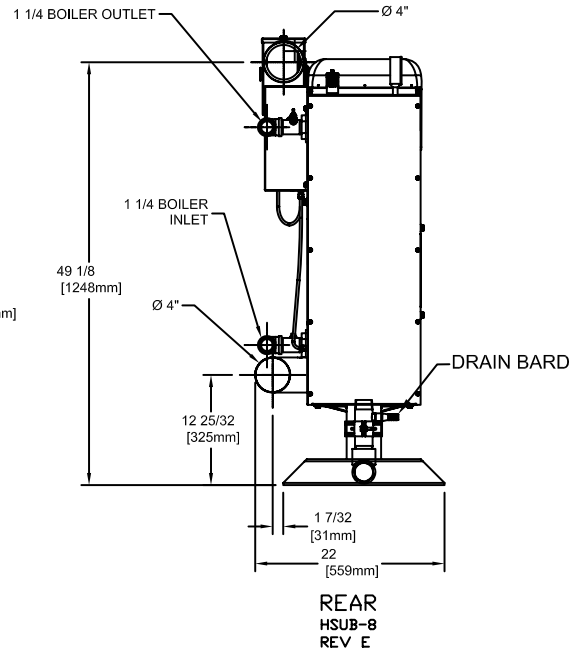
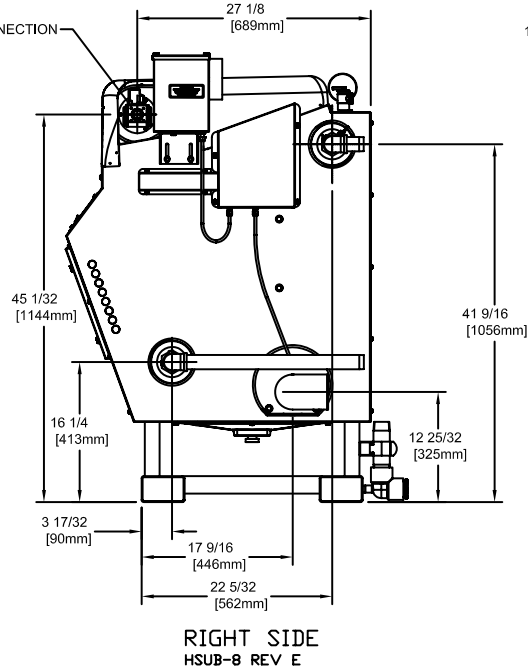
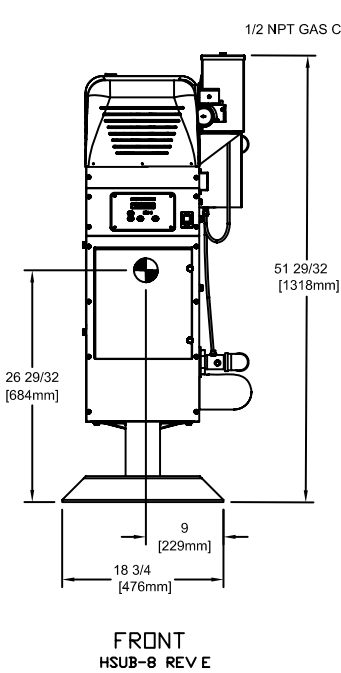
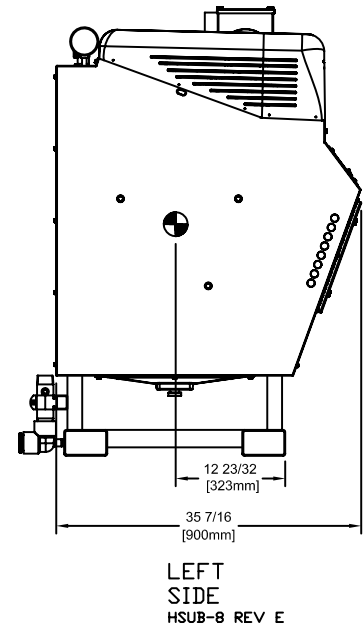
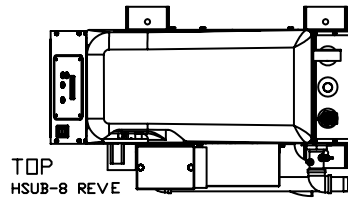
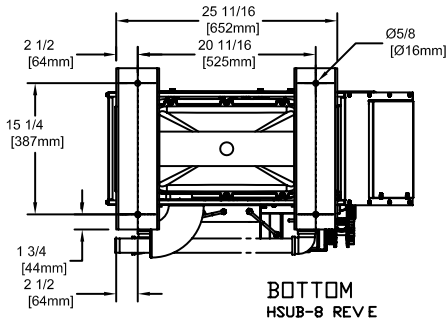


KN-4

Category II or Category IV Appliance
 (see Installation and Operation Manual for venting information)

CODE OPTIONS

CSD-1	STANDARD
-------	----------



A.G.A. CERTIFIED RATINGS & CAPACITIES

Fuel Type	Natural/LP Gas	Boiler FLA	5 A*
Input BTU/hr.	399 MBH / 117 KW	Min. Gas Pressure Required	2" W.C.
Output BTU/hr.	359 MBH / 105 KW	Max. Gas Pressure Allowed	14" W.C.
Boiler HP	10.7	Water Volume	5.9 gal.
Electrical Requirements	120VAC/ 60 hz/ 1PH	Operating Weight	827 lbs. / 375 kg.

BOILER TRIM & CONTROLS

Main Gas Valve	Dungs GB-WND	Air Switch	Cleveland NS-2
Ignition Control	Fenwal 35-60	Blower Motor	Ametek
Operating Control	HeatNet®	Relief Valve	30, 50, 75 & 100 PSI
High Limit	P-SW-1300-4-X		

A.S.M.E.

ASME Sect IV Fire Side Htg Surface	19.95 Sq. Ft. / 1.85 Sq. M.	Design Data	100 PSI & 250°F
ASME Sect IV Water Side Htg Surface	21.33 Sq. Ft. / 1.98 Sq. M.		
CV. GPM (1PSID)	40		

*Add circulator amps.

TEMPERATURE RISE / PRESSURE DROP (Based on Full Input)

20°F / 11.1°C				40°F / 22.2°C				60°F / 33.3°C				80°F / 44.4°C				100°F / 55.5°C			
Flow Rate		Pressure Drop		Flow Rate		Pressure Drop		Flow Rate		Pressure Drop		Flow Rate		Pressure Drop		Flow Rate		Pressure Drop	
GPM	L/s	Ft	kPa	GPM	L/s	Ft	kPa	GPM	L/s	Ft	kPa	GPM	L/s	Ft	kPa	GPM	L/s	Ft	kPa
36.0	2.30	1.90	5.60	18.0	1.10	.50	1.40	12.0	.80	.21	.60	9.00	.60	.12	.30	7.2	.50	.07	.22

Flow GPM				Temp. Rise** (°F)				Vent Length (Equiv. Ft.)				Air Inlet Length (Equiv. Ft.)			
Min		Max		Min		Max		Min		Max		Min		Max	
7.2		36		20		100		6		100		0		100	

**Min/Max delta t reflects boiler operation at full input. For applications requiring operation above/below these parameters please consult factory.

REP FIRM	_____
SUBMITTED BY	_____
JOB NAME	_____
ARCHITECT	_____
ENGINEER	_____
CONTRACTOR	_____
DATE	_____

KN-4

Category II or Category IV Appliance
(see Installation and Operation Manual for venting information)



A Division of Mestek, Inc.
Westfield, MA 01085
(413) 564-5515