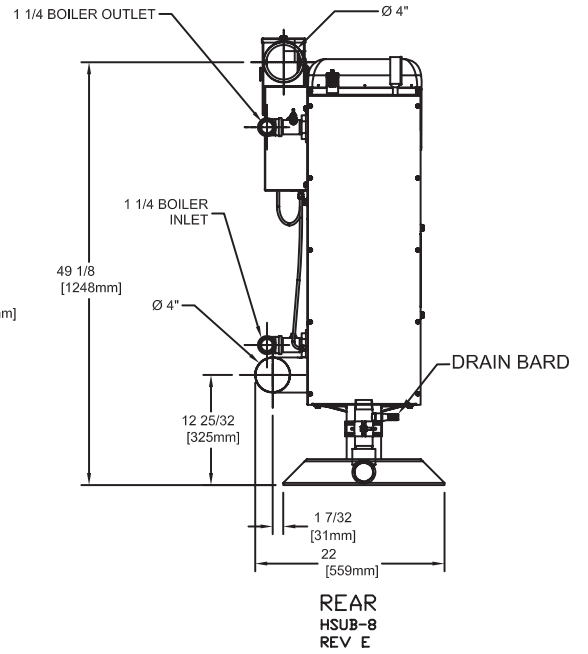
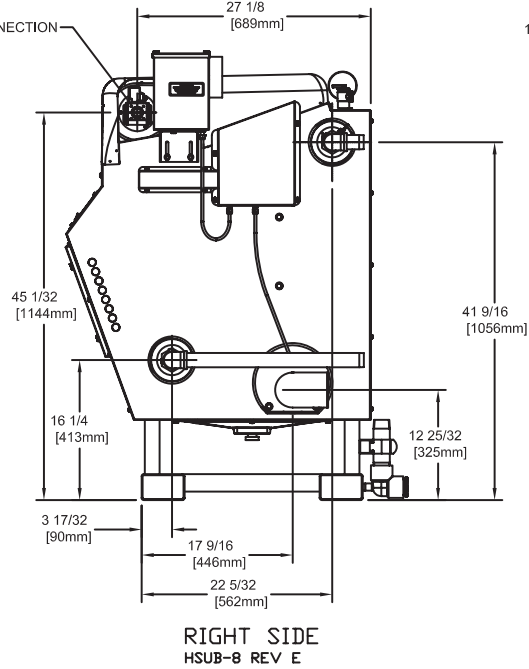
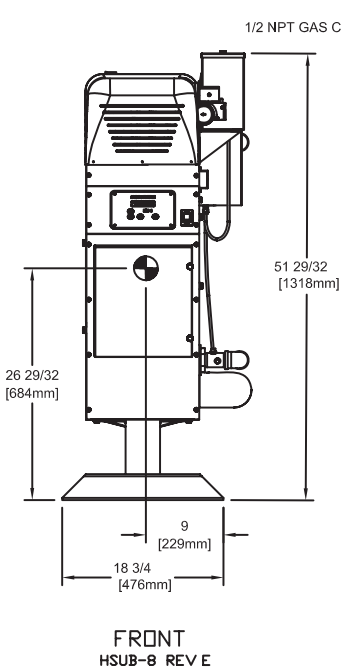
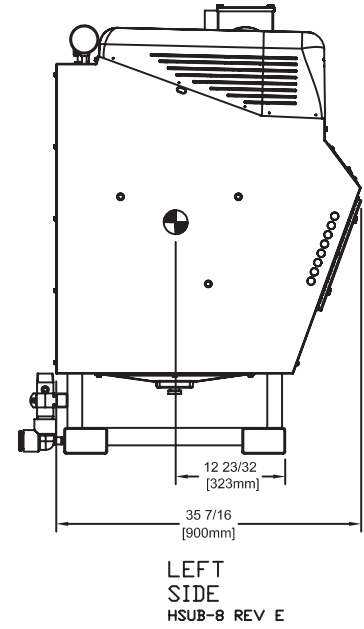
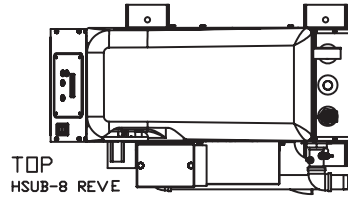
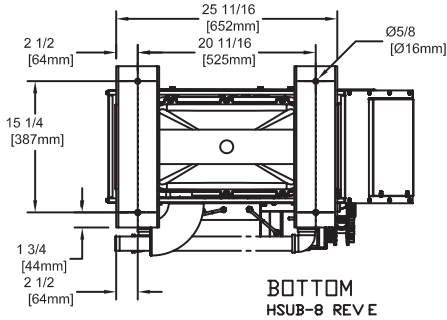


KN-4

Category II or Category IV Appliance
 (see Installation and Operation Manual for venting information)

CODE OPTIONS

| | |
|-------|----------|
| CSD-1 | STANDARD |
|-------|----------|



A.G.A. CERTIFIED RATINGS & CAPACITIES

| | | | |
|--------------------------------|--------------------|-----------------------------------|--------------------|
| Fuel Type | Natural/LP Gas | Boiler FLA | 5 A* |
| Input BTU/hr. | 399 MBH / 117 KW | Min. Gas Pressure Required | 2" W.C. |
| Output BTU/hr. | 359 MBH / 105 KW | Max. Gas Pressure Allowed | 14" W.C. |
| Boiler HP | 10.7 | Water Volume | 5.9 gal. |
| Electrical Requirements | 120VAC/ 60 hz/ 1PH | Operating Weight | 827 lbs. / 375 kg. |

BOILER TRIM & CONTROLS

| | | | |
|--------------------------|---------------|---------------------|----------------------|
| Main Gas Valve | Dungs GB-WND | Air Switch | Cleveland NS-2 |
| Ignition Control | Fenwal 35-60 | Blower Motor | Ametek |
| Operating Control | HeatNet® | Relief Valve | 30, 50, 75 & 100 PSI |
| High Limit | P-SW-1300-4-X | | |

A.S.M.E.

| | | | |
|--|-----------------------------|--------------------|-----------------|
| ASME Sect IV Fire Side Htg Surface | 14.53 Sq. Ft. / 1.35 Sq. M. | Design Data | 100 PSI & 250°F |
| ASME Sect IV Water Side Htg Surface | 14.21 Sq. Ft. / 1.32 Sq. M. | | |
| CV. GPM (1PSID) | 40 | | |

*Add circulator amps.

TEMPERATURE RISE / PRESSURE DROP (Based on Full Input)

| 20°F / 11.1°C | | | | 40°F / 22.2°C | | | | 60°F / 33.3°C | | | | 80°F / 44.4°C | | | | 100°F / 55.5°C | | | |
|---------------|------|---------------|------|---------------|------|---------------|------|---------------|-----|---------------|-----|---------------|-----|---------------|-----|----------------|-----|---------------|-----|
| Flow Rate | | Pressure Drop | | Flow Rate | | Pressure Drop | | Flow Rate | | Pressure Drop | | Flow Rate | | Pressure Drop | | Flow Rate | | Pressure Drop | |
| GPM | L/s | Ft | kPa | GPM | L/s | Ft | kPa | GPM | L/s | Ft | kPa | GPM | L/s | Ft | kPa | GPM | L/s | Ft | kPa |
| 36.0 | 2.30 | 1.90 | 5.60 | 18.0 | 1.10 | .50 | 1.40 | 12.0 | .80 | .21 | .60 | 9.00 | .60 | .12 | .30 | 7.2 | .50 | .07 | .22 |

| Flow GPM | | | | Temp. Rise** (°F) | | | | Vent Length (Equiv. Ft.) | | | | Air Inlet Length (Equiv. Ft.) | | | |
|----------|--|-----|--|-------------------|--|-----|--|--------------------------|--|-----|--|-------------------------------|--|-----|--|
| Min | | Max | | Min | | Max | | Min | | Max | | Min | | Max | |
| 7.2 | | 36 | | 20 | | 100 | | 6 | | 100 | | 0 | | 100 | |

**Min/Max delta t reflects boiler operation at full input. For applications requiring operation above/below these parameters please consult factory.

| | |
|---------------------|-------|
| REP FIRM | _____ |
| SUBMITTED BY | _____ |
| JOB NAME | _____ |
| ARCHITECT | _____ |
| ENGINEER | _____ |
| CONTRACTOR | _____ |
| DATE | _____ |

KN-4

Category II or Category IV Appliance
(see Installation and Operation Manual for venting information)



A Division of Mestek, Inc.
Westfield, MA 01085
(413) 564-5515