

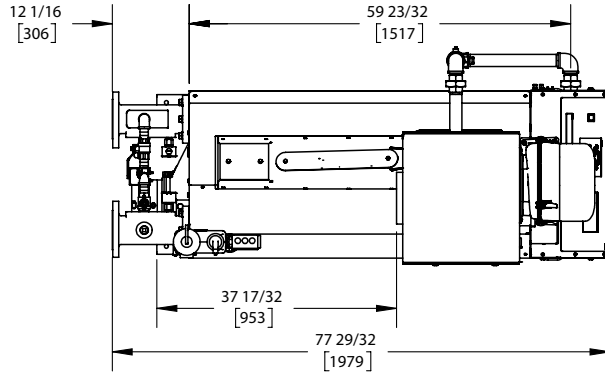
# KN-26

Category II or Category IV Appliance  
(see Installation and Operation Manual for venting information)

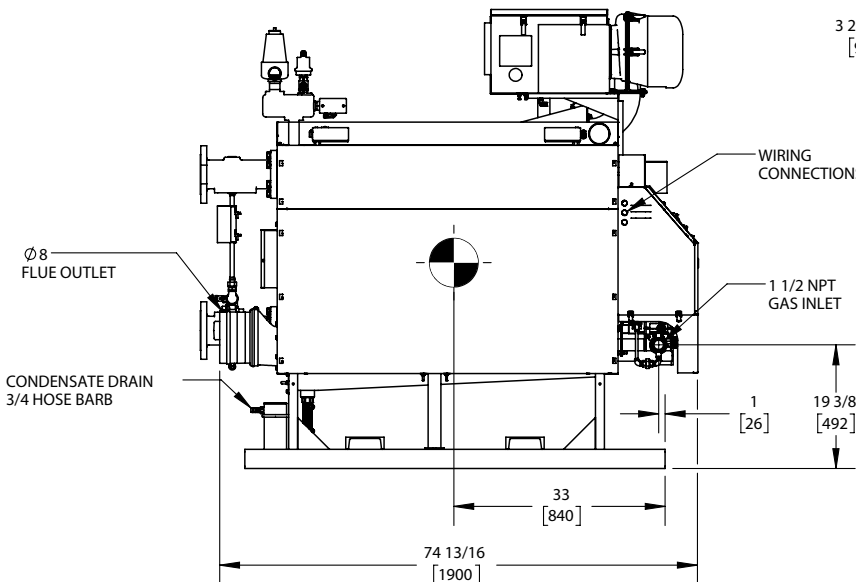
## CODE OPTIONS

CSD-1	STANDARD
-------	----------

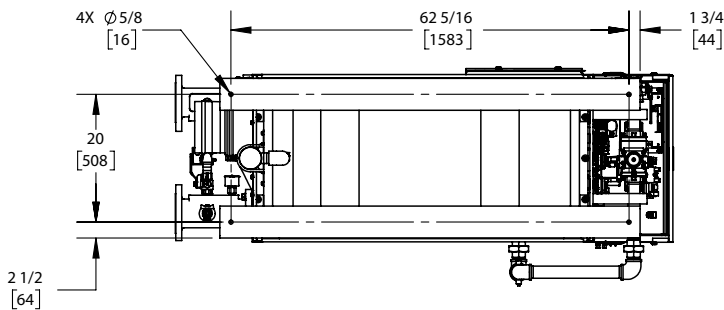
## INDOOR UNIT



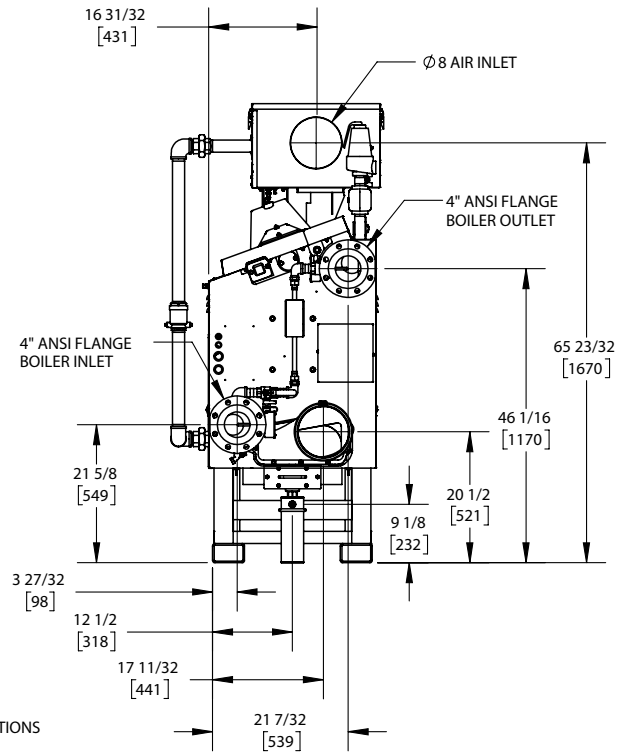
TOP VIEW  
ASUB-12\_F



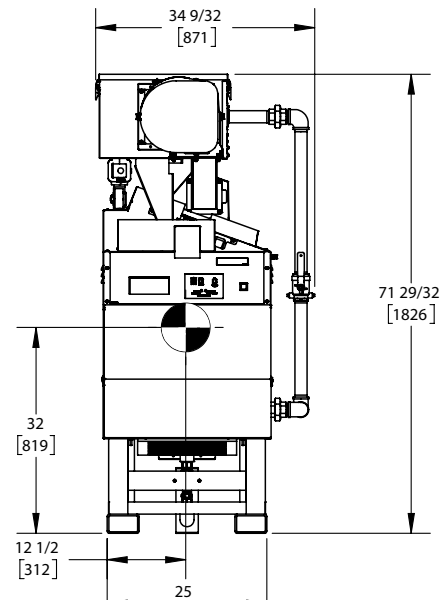
SIDE VIEW  
ASUB-12\_F



BOTTOM VIEW  
ASUB-12\_F



REAR VIEW  
ASUB-12\_F



FRONT VIEW  
ASUB-12\_F

NOTES:

1. SYMBOL INDICATES CENTER OF GRAVITY.
2. DIMENSIONS ARE NOMINAL AND SUBJECT TO MANUFACTURING VARIATION AND SHOULD NOT BE USED FOR "ROUGHING IN".
3. ALL DIMENSIONS ARE INCHES [mm].



## A.G.A. CERTIFIED RATINGS & CAPACITIES

<b>Fuel Type</b>	Natural/LP Gas	<b>Boiler FLA</b>	10.7 A*
<b>Input BTU/hr.</b>	2600 MBH / 762 KW	<b>Min. Gas Pressure Required</b>	3" W.C.
<b>Output BTU/hr.</b>	2340 MBH / 686 KW	<b>Max. Gas Pressure Allowed</b>	14" W.C.
<b>Boiler HP</b>	70	<b>Water Volume</b>	27.7 gal.
<b>Electrical Requirements</b>	230VAC/60 hz/3PH	<b>Operating Weight</b>	3425 lbs. / 1555 kg.
<b>SCCR Rating</b>	5kA		

## BOILER TRIM & CONTROLS

<b>Main Gas Valve</b>	Dungs MBC	<b>Air Switch</b>	Huba
<b>Firing Valve</b>	1-1/2" Apollo	<b>Flow Sensor</b>	SIKA
<b>Ignition Control</b>	Honeywell RM7895C	<b>Blocked Flue Switch</b>	Cleveland NS2
<b>Operating Control</b>	HeatNet®	<b>Blower Motor</b>	Ametek
<b>High Limit (Manual Reset)</b>	Honeywell L4006E	<b>L.W.C.O.</b>	800
<b>High Limit (Auto Reset)</b>	Honeywell L4006A	<b>Relief Valve</b>	30, 50, 75 & 100 PSI
<b>Main Ball Valve</b>	1-1/2" Apollo	<b>Pilot Regulator</b>	Maxitrol RV12LT
<b>Pilot Cock</b>	1/4" Conbraco		

## A.S.M.E.

<b>ASME Sect IV Fire Side Htg Surface</b>	93.08 Sq. Ft. / 8.65 Sq. M.	<b>Design Data</b>	100 PSI & 250°F
<b>ASME Sect IV Water Side Htg Surface</b>	99.53 Sq. Ft. / 9.25 Sq. M.		
<b>CV. GPM (1PSID)</b>	222		


\*Add circulator amps.

## TEMPERATURE RISE / PRESSURE DROP (Based on Full Input)

20°F / 11.1°C				40°F / 22.2°C				60°F / 33.3°C				80°F / 44.4°C				100°F / 55.5°C			
Flow Rate		Pressure Drop		Flow Rate		Pressure Drop		Flow Rate		Pressure Drop		Flow Rate		Pressure Drop		Flow Rate		Pressure Drop	
GPM	L/s	Ft	kPa	GPM	L/s	Ft	kPa	GPM	L/s	Ft	kPa	GPM	L/s	Ft	kPa	GPM	L/s	Ft	kPa
234.1	14.80	2.57	7.70	117.0	7.40	.64	1.90	78.0	4.90	.29	.90	58.5	3.70	.16	.50	46.8	3.00	.10	.30

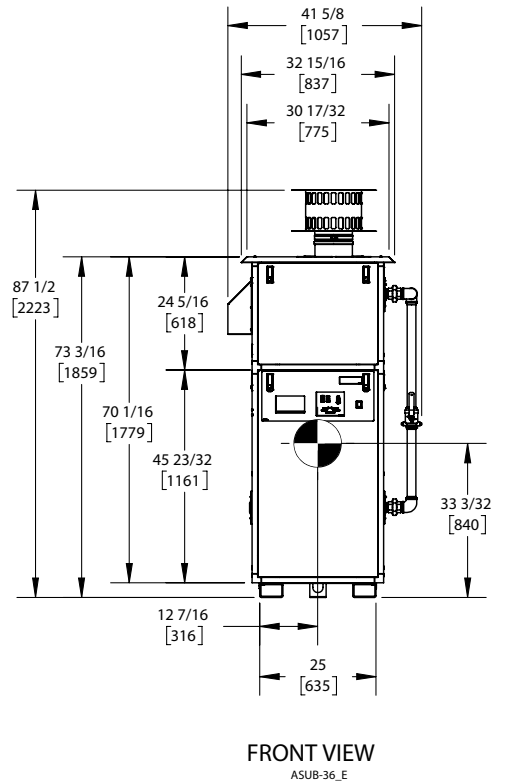
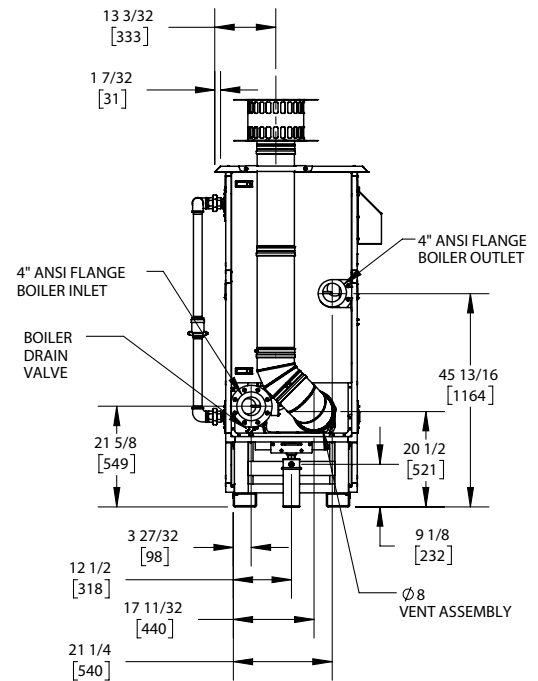
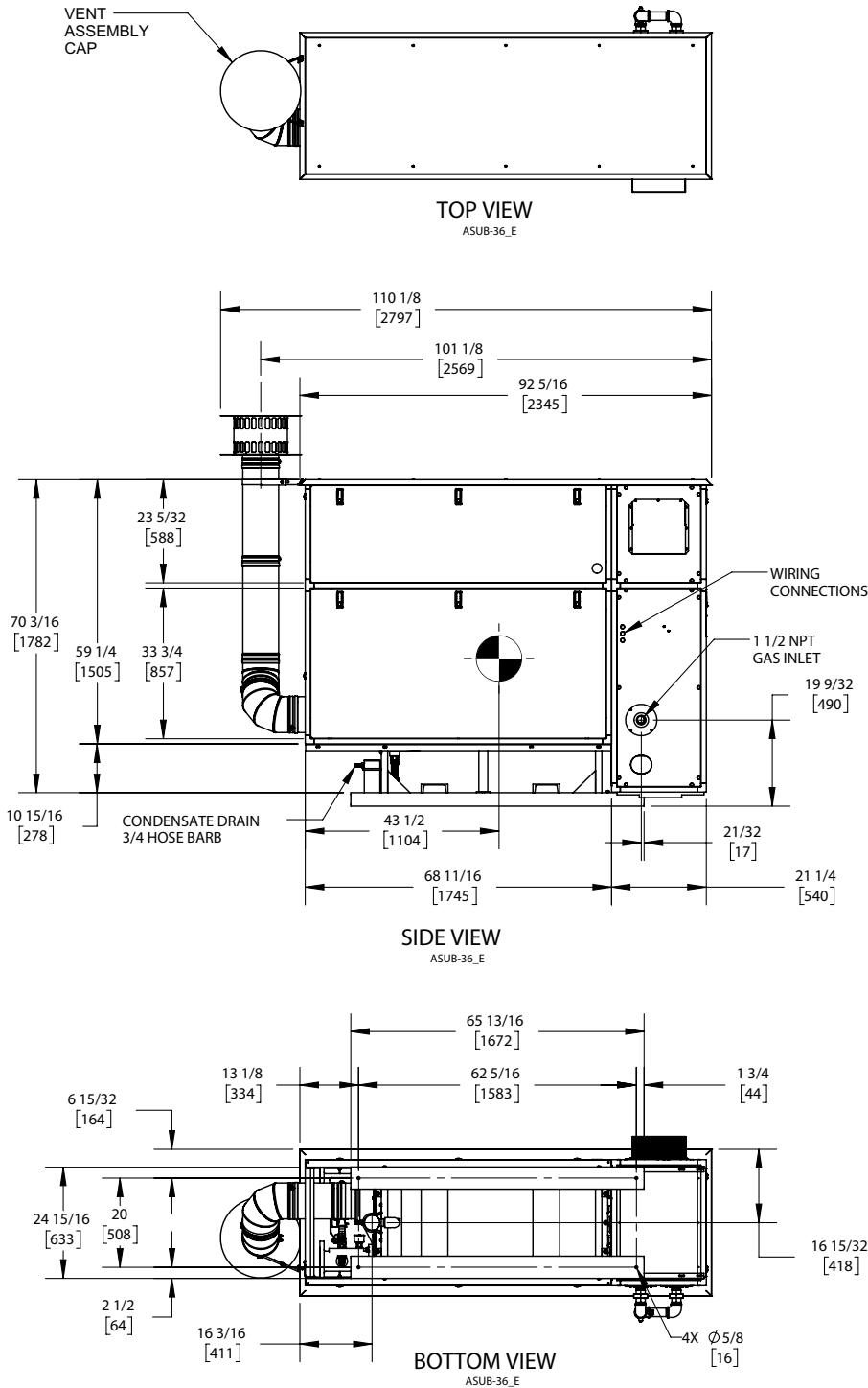
Flow GPM				Temp. Rise** (°F)				Vent Length (Equiv. Ft.)				Air Inlet Length (Equiv. Ft.)			
Min		Max		Min		Max		Min		Max		Min		Max	
46.8		234.1		20		100		6		120		0		120	

\*\*Min/Max delta t reflects boiler operation at full input. For applications requiring operation above/below these parameters please consult factory.

<b>REP FIRM</b>	_____	<h1>KN-26</h1> <p><b>Category II or Category IV Appliance</b> (see Installation and Operation Manual for venting information)</p>  <p>A Division of Mestek, Inc. Westfield, MA 01085 (413) 564-5515</p>
<b>SUBMITTED BY</b>	_____	
<b>JOB NAME</b>	_____	
<b>ARCHITECT</b>	_____	
<b>ENGINEER</b>	_____	
<b>CONTRACTOR</b>	_____	
<b>DATE</b>	_____	

# KN-26

## OUTDOOR UNIT



**NOTES:**

1. SYMBOL INDICATES CENTER OF GRAVITY.
2. DIMENSIONS ARE NOMINAL AND SUBJECT TO MANUFACTURING VARIATION AND SHOULD NOT BE USED FOR "ROUGHING IN".
3. ALL DIMENSIONS ARE INCHES [mm].