

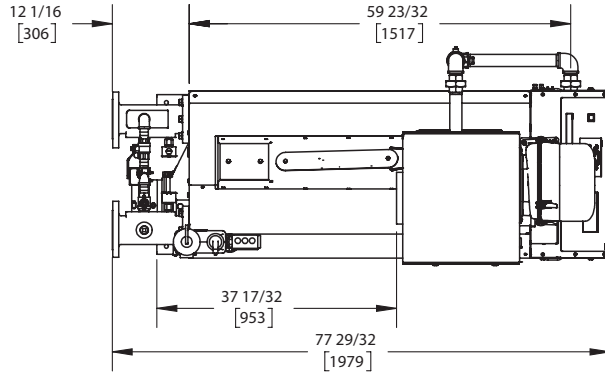
KN-26

Category II or Category IV Appliance
(see Installation and Operation Manual for venting information)

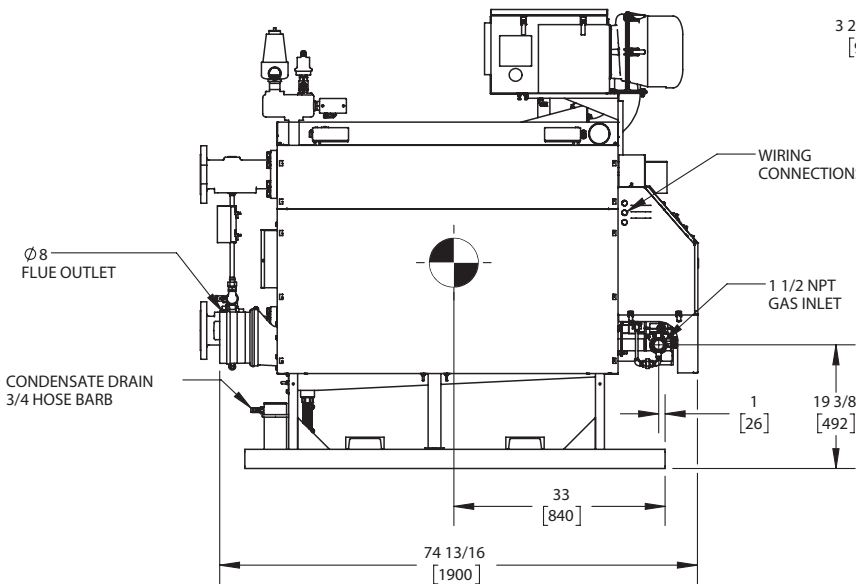
CODE OPTIONS

CSD-1	STANDARD
-------	----------

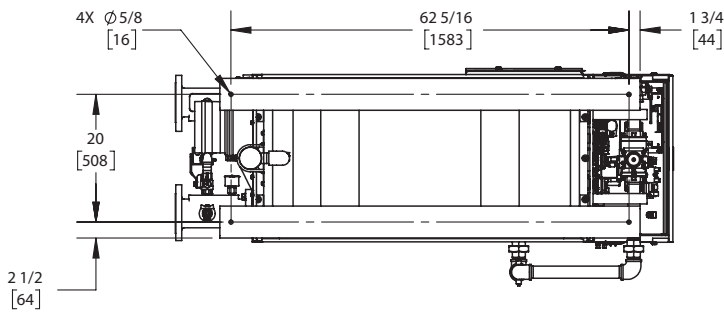
INDOOR UNIT



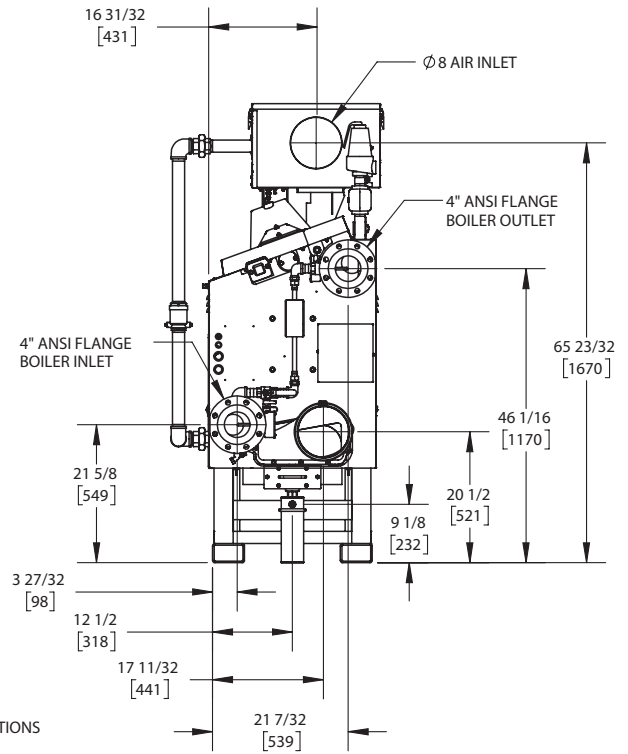
TOP VIEW
ASUB-12_F



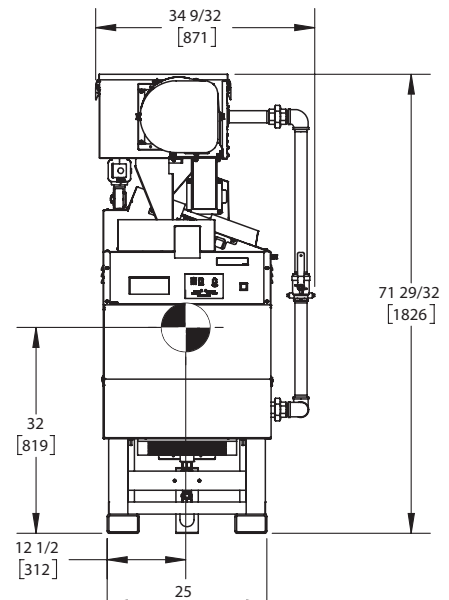
SIDE VIEW
ASUB-12_F



BOTTOM VIEW
ASUB-12_F



REAR VIEW
ASUB-12_F



FRONT VIEW
ASUB-12_F

NOTES:

1. SYMBOL INDICATES CENTER OF GRAVITY.
2. DIMENSIONS ARE NOMINAL AND SUBJECT TO MANUFACTURING VARIATION AND SHOULD NOT BE USED FOR "ROUGHING IN".
3. ALL DIMENSIONS ARE INCHES [mm].



A.G.A. CERTIFIED RATINGS & CAPACITIES

Fuel Type	Natural/LP Gas	Boiler FLA	16.11 A*
Input BTU/hr.	2600 MBH / 762 KW	Min. Gas Pressure Required	3" W.C.
Output BTU/hr.	2340 MBH / 686 KW	Max. Gas Pressure Allowed	14" W.C.
Boiler HP	70	Water Volume	27.7 gal.
Electrical Requirements	230VAC/60 hz/3PH	Operating Weight	3425 lbs. / 1555 kg.
SCCR Rating	5kA		

BOILER TRIM & CONTROLS

Main Gas Valve	Dungs MBC	Air Switch	Huba
Firing Valve	1-1/2" Apollo	Flow Sensor	SIKA
Ignition Control	Honeywell RM7895C	Blocked Flue Switch	Cleveland NS2
Operating Control	HeatNet®	Blower Motor	Ametek
High Limit (Manual Reset)	Honeywell L4006E	L.W.C.O.	800
High Limit (Auto Reset)	Honeywell L4006A	Relief Valve	30, 50, 75 & 100 PSI
Main Ball Valve	1-1/2" Apollo	Pilot Regulator	Maxitrol RV12LT
Pilot Cock	1/4" Conbraco		

A.S.M.E.

ASME Sect IV Fire Side Htg Surface	93.08 Sq. Ft. / 8.65 Sq. M.	Design Data	100 PSI & 250°F
ASME Sect IV Water Side Htg Surface	99.53 Sq. Ft. / 9.25 Sq. M.		
CV. GPM (1PSID)	222		

*Add circulator amps.

TEMPERATURE RISE / PRESSURE DROP (Based on Full Input)

20°F / 11.1°C				40°F / 22.2°C				60°F / 33.3°C				80°F / 44.4°C				100°F / 55.5°C			
Flow Rate		Pressure Drop		Flow Rate		Pressure Drop		Flow Rate		Pressure Drop		Flow Rate		Pressure Drop		Flow Rate		Pressure Drop	
GPM	L/s	Ft	kPa	GPM	L/s	Ft	kPa	GPM	L/s	Ft	kPa	GPM	L/s	Ft	kPa	GPM	L/s	Ft	kPa
234.1	14.80	2.57	7.70	117.0	7.40	.64	1.90	78.0	4.90	.29	.90	58.5	3.70	.16	.50	46.8	3.00	.10	.30

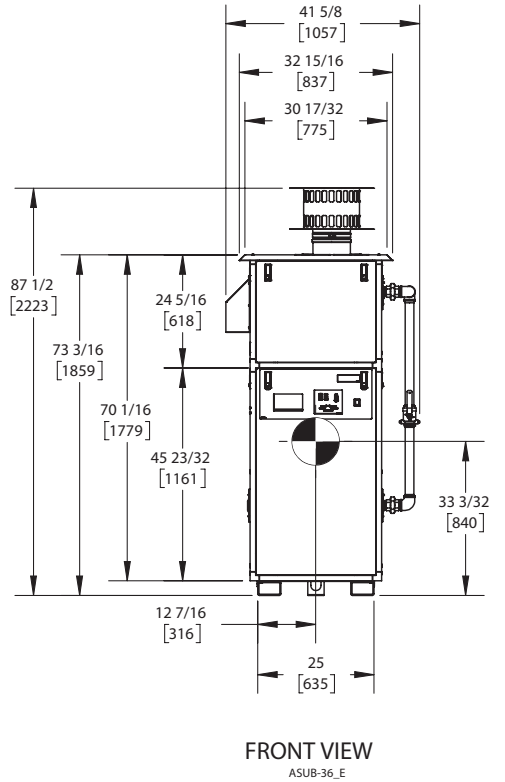
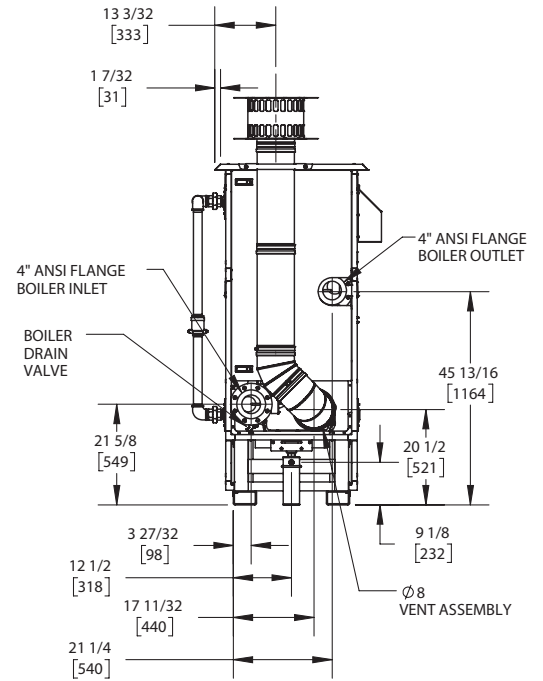
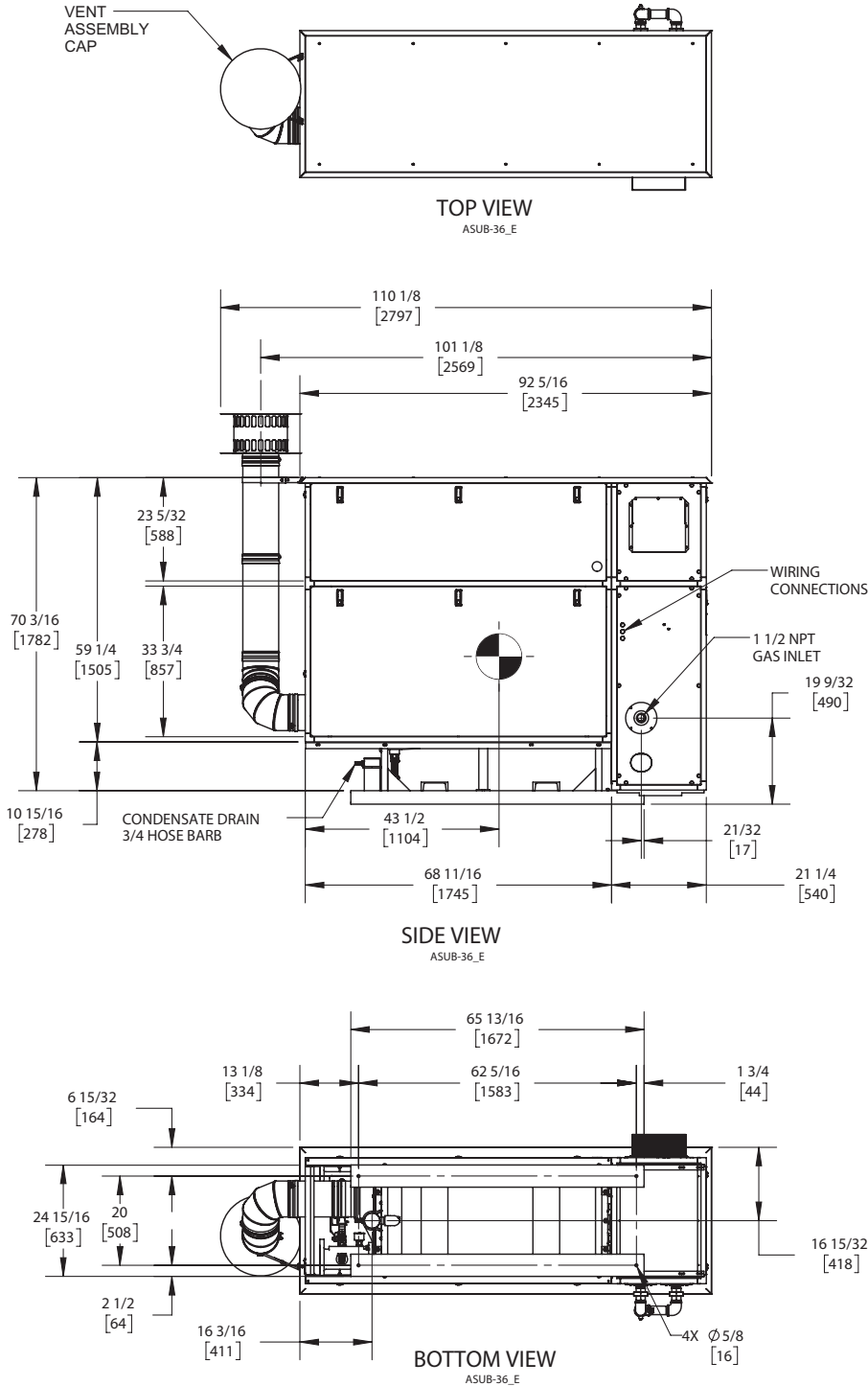
Flow GPM				Temp. Rise** (°F)				Vent Length (Equiv. Ft.)				Air Inlet Length (Equiv. Ft.)			
Min		Max		Min		Max		Min		Max		Min		Max	
46.8		234.1		20		100		6		120		0		120	

**Min/Max delta t reflects boiler operation at full input. For applications requiring operation above/below these parameters please consult factory.

<p>REP FIRM _____</p> <p>SUBMITTED BY _____</p> <p>JOB NAME _____</p> <p>ARCHITECT _____</p> <p>ENGINEER _____</p> <p>CONTRACTOR _____</p> <p>DATE _____</p>	<div style="background-color: black; color: white; padding: 10px; font-size: 2em; font-weight: bold; margin-bottom: 10px;">KN-26</div> <p>Category II or Category IV Appliance (see Installation and Operation Manual for venting information)</p> <div style="display: flex; align-items: center; justify-content: center; margin-top: 20px;"> <div> <p>A Division of Mestek, Inc. Westfield, MA 01085 (413) 564-5515</p> </div> </div>
---	---

KN-26

OUTDOOR UNIT



NOTES:

1. SYMBOL INDICATES CENTER OF GRAVITY.
2. DIMENSIONS ARE NOMINAL AND SUBJECT TO MANUFACTURING VARIATION AND SHOULD NOT BE USED FOR "ROUGHING IN".
3. ALL DIMENSIONS ARE INCHES [mm].