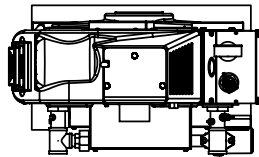
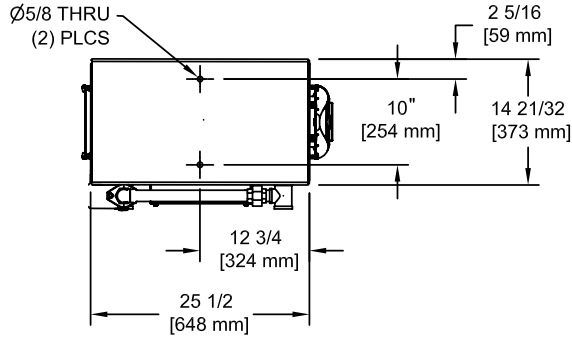


# KN-2

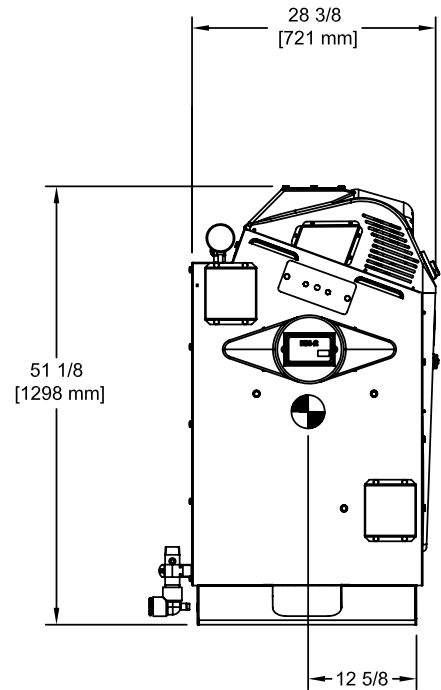
**Category II or Category IV Appliance**  
 (see Installation and Operation Manual for venting information)



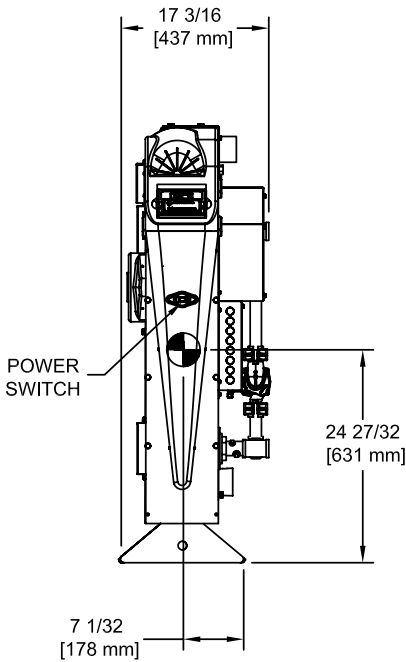
**TOP**  
 HSUB-7 REV. E



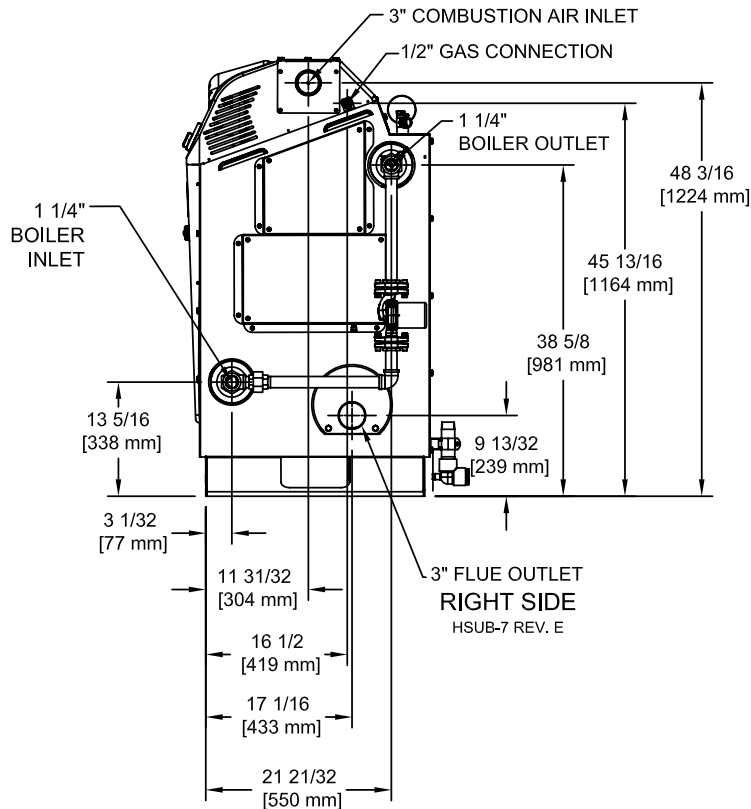
**BOTTOM**  
 HSUB-7 REV. E



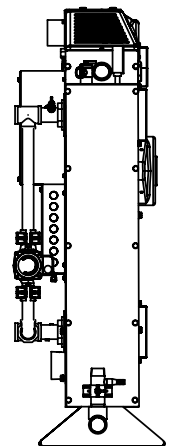
**LEFT SIDE**  
 HSUB-7 REV. E



**FRONT**  
 HSUB-7 REV. E



**RIGHT SIDE**  
 HSUB-7 REV. E



**REAR**  
 HSUB-7 REV. E



## A.G.A. CERTIFIED RATINGS & CAPACITIES

<b>Fuel Type</b>	Natural/LP Gas	<b>Boiler FLA</b>	2.5 A*
<b>Input BTU/hr.</b>	199 MBH / 59 KW	<b>Min. Gas Pressure Required</b>	2" W.C.
<b>Output BTU/hr.</b>	179 MBH / 53 KW	<b>Max. Gas Pressure Allowed</b>	14" W.C.
<b>Boiler HP</b>	5.4	<b>Water Volume</b>	3.9 gal.
<b>Electrical Requirements</b>	120VAC/ 60 hz/ 1PH	<b>Operating Weight</b>	563 lbs. / 256 kg.

## BOILER TRIM & CONTROLS

<b>Main Gas Valve</b>	Dungs GB-WND	<b>Air Switch</b>	Cleveland NS-2
<b>Ignition Control</b>	Fenwal 35-60	<b>Blower Motor</b>	Ametek
<b>Operating Control</b>	HeatNet®	<b>Relief Valve</b>	30, 50, 75 & 100 PSI
<b>High Limit</b>	P-SW-13004-X		

## A.S.M.E.

<b>ASME Sect IV Fire Side Htg Surface</b>	13.30 Sq. Ft. / 1.23 Sq. M.	<b>Design Data</b>	100 PSI & 250°F
<b>ASME Sect IV Water Side Htg Surface</b>	14.22 Sq. Ft. / 1.32 Sq. M.		
<b>CV. GPM (1PSID)</b>	20		


\*Add circulator amps.

## TEMPERATURE RISE / PRESSURE DROP (Based on Full Input)

20°F / 11.1°C				40°F / 22.2°C				60°F / 33.3°C				80°F / 44.4°C				100°F / 55.5°C			
Flow Rate		Pressure Drop		Flow Rate		Pressure Drop		Flow Rate		Pressure Drop		Flow Rate		Pressure Drop		Flow Rate		Pressure Drop	
GPM	L/s	Ft	kPa	GPM	L/s	Ft	kPa	GPM	L/s	Ft	kPa	GPM	L/s	Ft	kPa	GPM	L/s	Ft	kPa
18.0	1.14	1.87	5.6	9.0	.57	.47	1.40	6.00	.38	.21	.62	4.5	.28	.12	.35	3.6	.23	.07	.22

Flow GPM		Temp. Rise** (°F)		Vent Length (Equiv. Ft.)		Air Inlet Length (Equiv. Ft.)	
Min	Max	Min	Max	Min	Max	Min	Max
3.6	18.0	20	100	6	100	0	100

\*\*Min/Max delta t reflects boiler operation at full input. For applications requiring operation above/below these parameters please consult factory.

<b>REP FIRM</b>	_____	<h1>KN-2</h1> <p><b>Category II or Category IV Appliance</b> (see Installation and Operation Manual for venting information)</p>
<b>SUBMITTED BY</b>	_____	
<b>JOB NAME</b>	_____	
<b>ARCHITECT</b>	_____	
<b>ENGINEER</b>	_____	
<b>CONTRACTOR</b>	_____	
<b>DATE</b>	_____	 <p>A Division of Mestek, Inc. Westfield, MA 01085 (413) 564-5515</p>