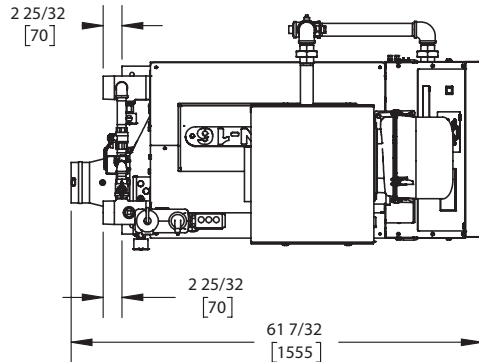


# KN-16 - Dual Fuel

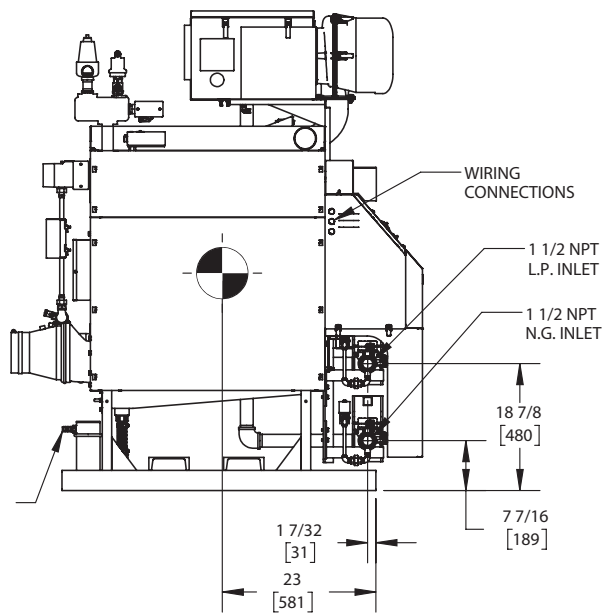
Category II or Category IV Appliance  
(see Installation and Operation Manual for venting information)

## CODE OPTIONS

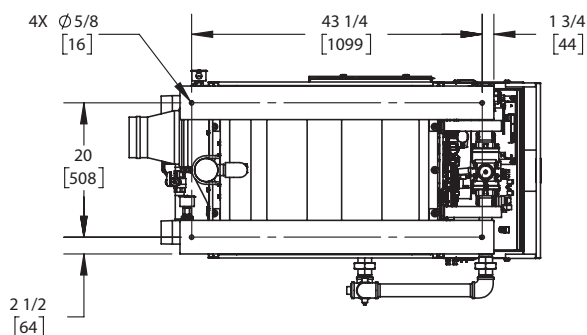
CSD-1	STANDARD
-------	----------



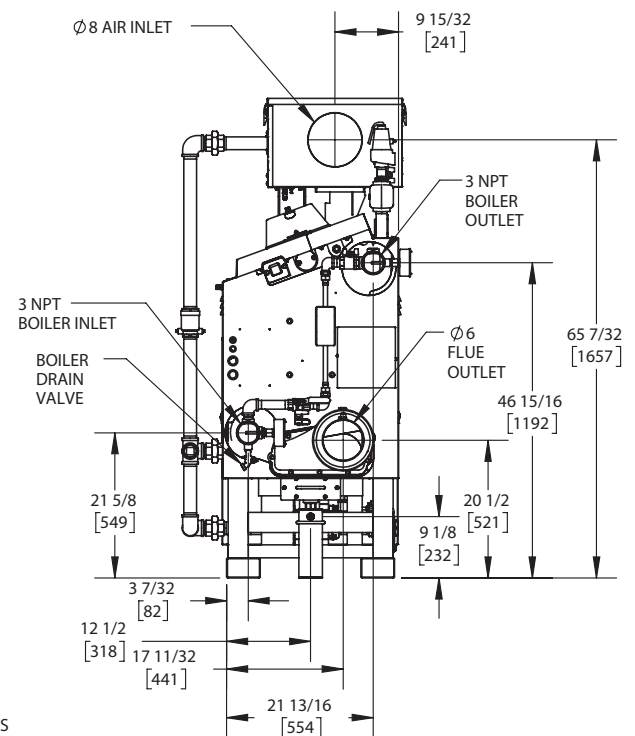
TOP VIEW  
ASUB-29\_D



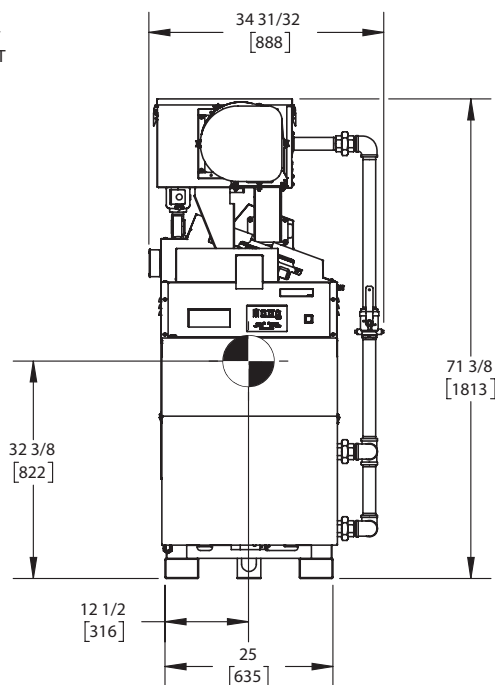
SIDE VIEW  
ASUB-29\_D



BOTTOM VIEW  
ASUB-29\_D



REAR VIEW  
ASUB-29\_D



FRONT VIEW  
ASUB-29\_D

NOTES:

1. SYMBOL INDICATES CENTER OF GRAVITY.
2. DIMENSIONS ARE NOMINAL AND SUBJECT TO MANUFACTURING VARIATION AND SHOULD NOT BE USED FOR "ROUGHING IN".
3. ALL DIMENSIONS ARE INCHES [mm].



## A.G.A. CERTIFIED RATINGS & CAPACITIES

<b>Fuel Type</b>	Natural/LP Gas	<b>Boiler FLA</b>	19.75 A*
<b>Input BTU/hr.</b>	1600 MBH / 469 KW	<b>Min. Gas Pressure Required</b>	3" W.C.
<b>Output BTU/hr.</b>	1440 MBH / 422 KW	<b>Max. Gas Pressure Allowed</b>	14" W.C.
<b>Boiler HP</b>	43.0	<b>Water Volume</b>	17.9 gal.
<b>Electrical Requirements</b>	230VAC/60 hz/1PH (with neutral)	<b>Operating Weight</b>	2360 lbs. / 1070 kg.
<b>SCCR Rating</b>	5kA		

## BOILER TRIM & CONTROLS

<b>Main Gas Valve</b>	Dungs MBC	<b>Air Switch</b>	Huba
<b>Firing Valve</b>	1-1/2" Apollo	<b>Flow Sensor</b>	SIKA
<b>Ignition Control</b>	Honeywell RM7895C	<b>Blocked Flue Switch</b>	Cleveland NS2
<b>Operating Control</b>	HeatNet®	<b>Blower Motor</b>	Ametek
<b>High Limit</b>	Honeywell L4006E	<b>L.W.C.O.</b>	800
<b>Main Ball Valve</b>	1-1/2" Apollo	<b>Relief Valve</b>	30, 50, 75 & 100 PSI
<b>Pilot Cock</b>	1/4" Conbraco	<b>Pilot Regulator</b>	Maxitrol RV12LT

## A.S.M.E.

<b>ASME Sect IV Fire Side Htg Surface</b>	59.84 Sq. Ft. / 5.56 Sq. M.	<b>Design Data</b>	100 PSI & 250°F
<b>ASME Sect IV Water Side Htg Surface</b>	63.98 Sq. Ft. / 5.94 Sq. M.		
<b>CV. GPM (1PSID)</b>	140		

\*Add circulator amps.

## TEMPERATURE RISE / PRESSURE DROP (Based on Full Input)

20°F / 11.1°C				40°F / 22.2°C				60°F / 33.3°C				80°F / 44.4°C				100°F / 55.5°C			
Flow Rate		Pressure Drop		Flow Rate		Pressure Drop		Flow Rate		Pressure Drop		Flow Rate		Pressure Drop		Flow Rate		Pressure Drop	
GPM	L/s	Ft	kPa	GPM	L/s	Ft	kPa	GPM	L/s	Ft	kPa	GPM	L/s	Ft	kPa	GPM	L/s	Ft	kPa
144.1	9.10	2.44	7.30	72.0	4.50	.61	1.80	48.0	3.00	.27	.80	36.0	2.30	.15	.50	28.8	1.80	.10	.30

Flow GPM		Temp. Rise** (°F)		Vent Length (Equiv. Ft.)		Air Inlet Length (Equiv. Ft.)	
Min	Max	Min	Max	Min	Max	Min	Max
28.8	144.1	20	100	6	120	0	120

\*\*Min/Max delta t reflects boiler operation at full input. For applications requiring operation above/below these parameters please consult factory.

<b>REP FIRM</b>	_____
<b>SUBMITTED BY</b>	_____
<b>JOB NAME</b>	_____
<b>ARCHITECT</b>	_____
<b>ENGINEER</b>	_____
<b>CONTRACTOR</b>	_____
<b>DATE</b>	_____

# KN-16 - Dual Fuel

**Category II or Category IV Appliance**  
(see Installation and Operation Manual for venting information)



A Division of Mestek, Inc.  
Westfield, MA 01085  
(413) 564-5515