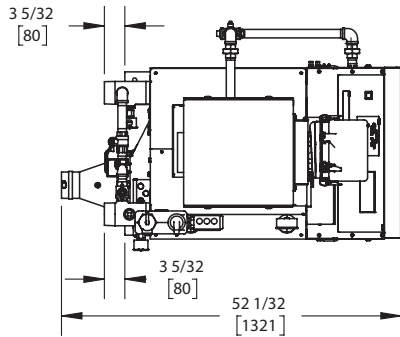


KN-10 - Dual Fuel

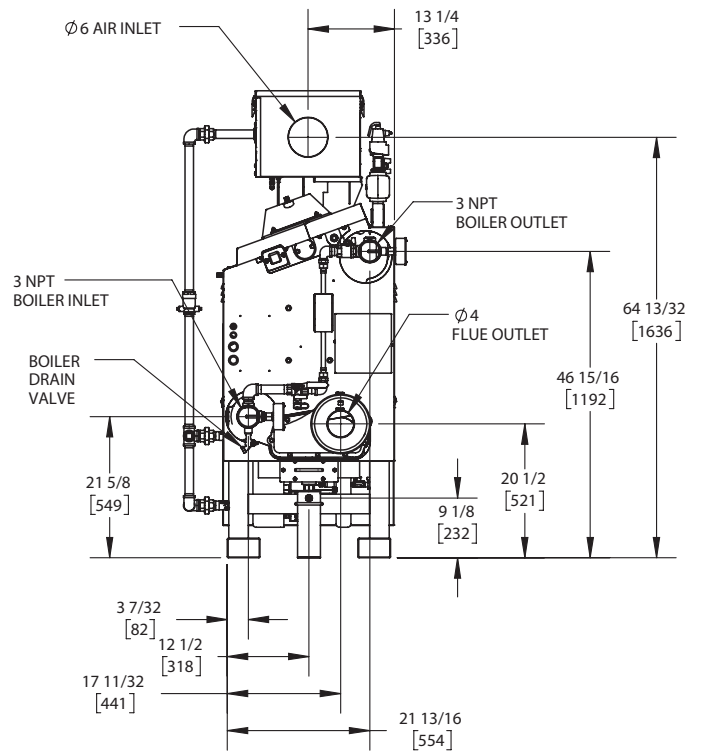
Category II or Category IV Appliance
(see Installation and Operation Manual for venting information)

CODE OPTIONS

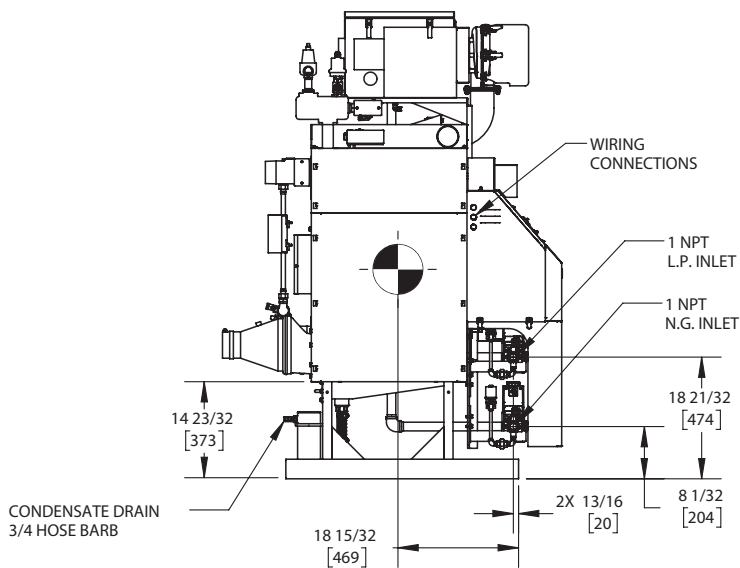
CSD-1	STANDARD
-------	----------



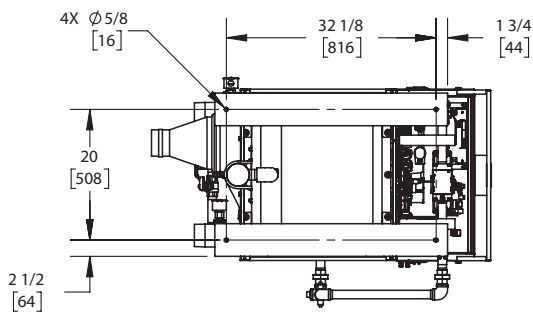
TOP VIEW
ASUB-30_D



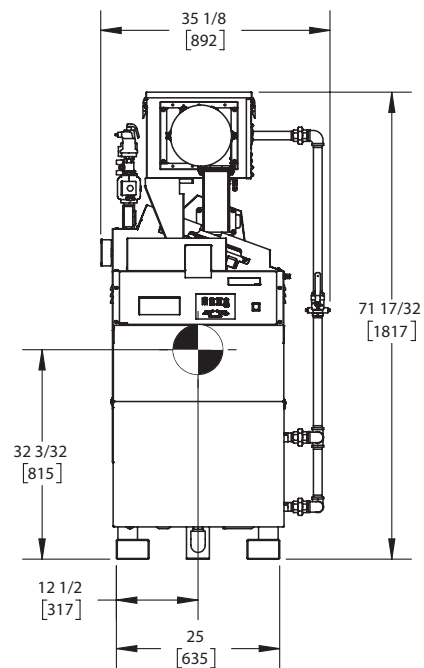
REAR VIEW
ASUB-30_D



SIDE VIEW
ASUB-30_D



BOTTOM VIEW
ASUB-30_D



FRONT VIEW
ASUB-30_C

NOTES:

1. SYMBOL INDICATES CENTER OF GRAVITY.
2. DIMENSIONS ARE NOMINAL AND SUBJECT TO MANUFACTURING VARIATION AND SHOULD NOT BE USED FOR "ROUGHING IN".
3. ALL DIMENSIONS ARE INCHES [mm].



A.G.A. CERTIFIED RATINGS & CAPACITIES

Fuel Type	Natural/LP Gas	Boiler FLA	15.78 A*
Input BTU/hr.	1000 MBH / 293 KW	Min. Gas Pressure Required	3" W.C.
Output BTU/hr.	900 MBH / 264 KW	Max. Gas Pressure Allowed	14" W.C.
Boiler HP	26.9	Water Volume	11.9 gal.
Electrical Requirements	120VAC/ 60 hz/ 1PH	Operating Weight	1557 lbs. / 707 kg.
SCCR Rating	5kA		

BOILER TRIM & CONTROLS

Main Gas Valve	Dungs MBC	Air Switch	Huba
Firing Valve	1 1/4" Apollo	Flow Sensor	SIKA
Ignition Control	Honeywell RM7895C	Blocked Flue Switch	Cleveland NS2
Operating Control	HeatNet®	Blower Motor	Ametek
High Limit	Honeywell L4006E	L.W.C.O.	800
Main Ball Valve	1 1/4" Apollo	Relief Valve	30, 50, 75 & 100 PSI
Pilot Cock	1/4" Conbraco	Pilot Regulator	Maxitrol RV12LT

A.S.M.E.

ASME Sect IV Fire Side Htg Surface	39.89 Sq. Ft. / 3.71 Sq. M.	Design Data	100 PSI & 250°F
ASME Sect IV Water Side Htg Surface	42.65 Sq. Ft. / 3.96 Sq. M.		
CV. GPM (1PSID)	100		

*Add circulator amps.

TEMPERATURE RISE / PRESSURE DROP (Based on Full Input)

20°F / 11.1°C				40°F / 22.2°C				60°F / 33.3°C				80°F / 44.4°C				100°F / 55.5°C			
Flow Rate		Pressure Drop		Flow Rate		Pressure Drop		Flow Rate		Pressure Drop		Flow Rate		Pressure Drop		Flow Rate		Pressure Drop	
GPM	L/s	Ft	kPa	GPM	L/s	Ft	kPa	GPM	L/s	Ft	kPa	GPM	L/s	Ft	kPa	GPM	L/s	Ft	kPa
90.0	5.70	1.87	5.60	45.0	2.80	.47	1.40	30.0	1.90	.21	.60	22.5	1.40	.12	.30	18.0	1.10	.07	.20

Flow GPM		Temp. Rise** (°F)		Vent Length (Equiv. Ft.)		Air Inlet Length (Equiv. Ft.)	
Min	Max	Min	Max	Min	Max	Min	Max
18.0	90.0	20	100	6	120***	0	120

**Min/Max delta t reflects boiler operation at full input. For applications requiring operation above/below these parameters please consult factory.

***A maximum equivalent length of 80 ft. utilizing 4" vent diameter and 120 ft. utilizing 5" vent diameter.

REP FIRM	_____
SUBMITTED BY	_____
JOB NAME	_____
ARCHITECT	_____
ENGINEER	_____
CONTRACTOR	_____
DATE	_____

KN-10 - Dual Fuel

Category II or Category IV Appliance
(see Installation and Operation Manual for venting information)



A Division of Mestek, Inc.
Westfield, MA 01085
(413) 564-5515