

# KN SERIES



## Boiler Manual Installation and Operation Instructions

### Cast Iron Condensing Boilers

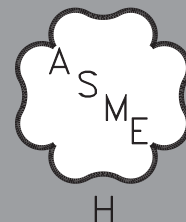
#### Whirlwind Models

KN-6, KN-10, KN-16, KN-20,  
KN-26, KN-30 and KN-40



Also read and follow:

**KN Control Manual**



MEA #444-05-E

MASS Plumbers  
#G1-06-04-28



**WARNING**

This manual is intended only for use by a qualified heating installer/technician. Read and follow this manual, all supplements and related instructional information provided with the boiler. Install, start and service the boiler only in the sequence and methods given in these instructions. Failure to do so can result in severe personal injury, death or substantial property damage.

**WARNING**

**Do not use the boiler during construction.** Construction dust and particulate, particularly drywall dust, will cause contamination of the burner, resulting in possible severe personal injury, death or substantial property damage. The boiler can only be operated with a dust-free air supply. Follow the instruction manual procedures to duct air to the boiler air intake. If the boiler has been contaminated by operation with contaminated air, follow the instruction manual guidelines to clean, repair or replace the boiler if necessary.

**CAUTION**

Affix these instructions near to the boiler. Instruct the building owner to retain the instructions for future use by a qualified service technician, and to follow all guidelines in the User's Information Manual. Dimensions are in INCHES (IN), FEET (FT), MILLIMETERS [mm] or METERS [m].

**WARNING** If the information in this manual is not followed exactly, a fire or explosion may result causing property, personal injury or loss of life.

**Do not store or use gasoline or other flammable vapors and liquids in the vicinity of this or any other appliance.**

**WHAT TO DO IF YOU SMELL GAS:**

- Do not try to light any appliance.
- Do not touch any electrical switch. Do not use any phone in your building.
- Immediately call your gas supplier from a phone outside of the building. Follow the gas supplier's instructions.
- If you cannot reach your gas supplier, call the fire department.

**Installation and service must be performed by a qualified installer, service agency or the gas supplier.**

**WARNING** Assurez-vous de bien suivre les instructions données dans cette notice pour réduire au minimum le risque d'incendie ou d'explosion ou pour éviter tout dommage matériel, toute blessure ou la mort

**Ne pas entreposer ni utiliser d'essence ou ni d'autres vapeurs ou liquides inflammables à proximité de cet appareil ou de tout autre appareil.**

**QUE FAIRE SI VOUS SENTEZ UNE ODEUR DE GAZ:**

- Ne pas tenter d'allumer d'appareil.
- Ne touchez à aucun interrupteur; ne pas vous servir des téléphones se trouvant dans le bâtiment.
- Appelez immédiatement votre fournisseur de gaz depuis un voisin. Suivez les intructions du fournisseur.
- Si vous ne pouvez rejoindre le fournisseur, appelez le service des incendies.

**L'installation et l'entretien doivent être assurés par un installateur ou un service d'entretien qualifié ou par le fournisseur de gaz.**

**WARNING** Failure to properly vent this unit can cause excessive amounts of carbon monoxide resulting in severe personal injury or death!

**CAUTION** Do not use automotive anti-freeze in the boiler waterways. If the use of anti-freeze is necessary an anti-freeze specifically formulated for hydronic heating systems must be used or damage to the boiler may occur voiding the warranty!

**DESIGNED AND TESTED ACCORDING TO A.S.M.E. BOILER AND PRESSURE VESSEL CODE, SECTION IV FOR A MAXIMUM ALLOWABLE WORKING PRESSURE OF 100 PSI, 700 kPa WATER.**

**INSTALLER, THESE INSTRUCTIONS TO BE AFFIXED ADJACENT TO THE BOILER.**

**CONSUMER, RETAIN THESE INSTRUCTIONS FOR FUTURE REFERENCE PURPOSES.**

## CONTENTS

Before Your Start .....	page 2
Ratings & Capacities .....	page 3
Location .....	page 3
Combustion Air & Ventilation .....	page 3
Venting Guidelines.....	page 5
Common Vent Systems .....	page 15
Outdoor Venting .....	page 19
General Piping Requirements .....	page 20
Heating System Piping .....	page 21
Domestic Water Supply Piping .....	page 24
Condensate Piping.....	page 26
Gas Supply Piping.....	page 26
Electrical Wiring.....	page 27
Boiler Operation.....	page 28
Operating Instructions .....	page 28
Sequence of Operation.....	page 35
Ignition Troubleshooting .....	page 37
Checking & Adjustment .....	page 38
Diagnostics .....	page 39
Maintenance.....	page 40
Pressure Switches.....	page 41
Wiring .....	page 42
Start-Up .....	page 43
Repair Parts.....	page 44
Warranty .....	page 51

## BEFORE YOU START

This manual covers the application, installation, operation and maintenance of a KN series boiler.

To obtain the safe, dependable, efficient operation and long life for which this boiler was designed, these instructions must be read, understood and followed.

The KN boiler series has been design certified by CSA for use with natural gas under the latest revision of ANSI-Z21.13/CSA 4.9, Gas-Fired Hot Water Boilers. Each unit has been constructed and hydrostatically tested for a maximum working pressure of 100 psi, 700 kPa, in accordance with Section IV of the A.S.M.E. Boiler and Pressure Vessel Code.

All aspects of the boiler installation must conform to the requirements of the authority having jurisdiction, or, in the absence of such requirements, to the National Fuel Gas Code, ANSI Z223.1/NFPA 54-latest revision. Where required by the authority having jurisdiction, the installation must conform to the Standard for Controls and Safety Devices for Automatically Fired Boilers, ANSI/ASME CSD-1.

If installed in the Commonwealth of Massachusetts, you **MUST FOLLOW** the additional instructions contained in Advanced Thermal Hydronics' instruction sheet MACODE-3. Please refer to the back of this manual for required regulations.

In Canada, the installation must be in accordance with the requirements of CSA B149.1 or .2, Installation Code for Gas Burning Appliances and Equipment.

The owner should maintain a record of all service work performed with the date and a description of the work done. Include the name of the service organization for future reference.

Direct all questions to your Advanced Thermal Hydronics distributor or contact the Advanced Thermal Hydronics Customer Service Department at: 260 North Elm Street, Westfield, MA 01085. Always include the model and serial numbers from the rating plate of the boiler in question.

## RATINGS & CAPACITIES

Before installing the KN boiler check the rating plate to ensure that the unit has been sized properly for the job. Also ensure that the unit has been set up for the type of gas available at the installation site. Other important considerations are the availability of an adequate electrical supply, fresh air for combustion and a suitable vent system.

## BOILER LOCATION

1. This boiler is suitable for indoor/outdoor installations. Locate the boiler in an area that provides good access to the unit. Servicing may require the removal of jacket panels. Allow the minimum clearances between adjacent construction and the boiler as listed in Table 1.

**NOTICE** Service clearances are not mandatory, but are recommended to ensure ease of service should it be required.

**Table 1 - Clearances**

	Clearance to Combustibles		Service Clearance	
	in	mm	in	mm
Top	6	153	24	610
Back	6	153	24	610
Left Side	6	153	6	152
Right Side	6	153	6	152
Front	6	153	36	914
Flue	6	153		

2. An optimum site will be level, central to the piping system, close to a chimney or outside wall and have adequate fresh air for combustion. Ensure that the unit is level from front to back and from side to side. Use metal shims if leveling is required. Electrical and electronic components must be protected from exposure to water during operation and maintenance. DO NOT install this boiler in a location that would subject any of the gas ignition and other electronic components to direct contact with water or excessive moisture during operation or servicing.
3. Ensure that the floor is structurally sound and will support the weight of the boiler.

**NOTICE** The KN may be installed directly on combustible flooring, but never on carpeting.

4. Locate the boiler in an area that will prevent water damage to adjacent construction should a leak occur or during routine maintenance.
5. **DO NOT** place this boiler in a location that would restrict the introduction of combustion air into the unit or subject it to a negative pressure, see the "COMBUSTION AIR & VENTILATION" and "GENERAL VENTING GUIDELINES".
6. **NEVER** place this boiler in a location that would subject it to temperatures at or near freezing.

**WARNING** Never store combustible materials, gasoline or any product containing flammable vapors or liquids in the vicinity of the boiler. Failure to comply with this warning can result in an explosion or fire causing extensive property damage, severe personal injury or death!

## COMBUSTION AIR & VENTILATION

**WARNING** This boiler must be supplied with combustion air in accordance with Section 9.3, Air for Combustion & Ventilation, of the latest revision of the National Fuel Gas Code, ANSI Z223.1/NFPA 54 and all applicable local building codes. Canadian installations must comply with CSA B149.1 or .2 Installation Code for Gas Burning Appliances and Equipment, or applicable provisions of the local building codes. Failure to provide adequate combustion air for this boiler can result in excessive levels of carbon monoxide which can result in severe personal injury or death!

To operate properly and safely this boiler requires a continuous supply of air for combustion. **NEVER** store objects on or around the boiler!

**CAUTION** Combustion air contaminated with fluorocarbons or other halogenated compounds such as cleaning solvents and refrigerants will result in the formation of acids in the combustion chamber. These acids will cause premature failure of the boiler voiding the warranty!

**CAUTION** If the boiler is operated while the building is under construction it must be protected from wood, concrete, sheet rock and other types of dust. Failure to properly protect the unit from construction dust will damage the unit voiding the warranty!

Buildings will require the installation of a fresh air duct or other means of providing make-up air if the intake air option isn't used. Any building utilizing other gas burning appliances, a fireplace, wood stove or any type of exhaust fan must be checked for adequate combustion air when all of these devices are in operation at one time. Sizing of an outside air duct must be done to meet the requirements of all such devices.

**WARNING** Never operate the KN in an environment subjected to a negative pressure. Failure to comply with this warning can result in excessive levels of carbon monoxide causing severe personal injury or death!

**All Air From Inside The Building**

If the boiler is to be located in a confined space the minimum clearances listed in Table 1 must be maintained between it and any combustible construction. When installed in a confined space without the intake air option two permanent openings communicating with an additional room(s) are required. The combined volume of these spaces must have sufficient volume to meet the criteria for an unconfined space. The total air requirements of all gas utilization equipment, fireplaces, wood stoves or any type of exhaust fan must be considered when making this determination. Each opening must have a minimum free area of **1 in<sup>2</sup>/1000 Btu/hr, 2200 mm<sup>2</sup>/kW** based on the total input rating of ALL gas utilization equipment in the confined area. Each opening must be no less than **100 in<sup>2</sup>, 64,516 mm<sup>2</sup>** in size. The upper opening must be within **12 in, 300 mm** of, but not less than **3 in, 80 mm** from, the top of the enclosure. The bottom opening must be within **12 in, 300 mm** of, but not less than **3 in, 80 mm** from, the bottom of the enclosure.

**All Air From Outside The Building**

When installed in a confined space without the intake air option two permanent openings communicating directly with, or by ducts to, the outdoors or spaces that freely communicate with the outdoors must be present. The upper opening must be within **12 in, 300 mm** of, but not less than **3 in, 80 mm** from, the top of the enclosure. The bottom opening must be within **12 in, 300 mm** of, but not less than **3 in, 80 mm** from, the bottom of the enclosure.

Where directly communicating with the outdoors or communicating with the outdoors through vertical ducts, each opening shall have a minimum free area of **1in<sup>2</sup>/4000 Btu/hr, 550 mm<sup>2</sup>/kW** of the total input rating of all of the equipment in the enclosure.

Where communicating with the outdoors through horizontal ducts, each opening shall have a minimum free area of **1 in<sup>2</sup>/2000 Btu/hr, 1100 mm<sup>2</sup>/kW** of the total input rating of all of the equipment in the enclosure.

When ducts are used, they must have the same cross-sectional area as the free area of the opening to which they connect.

**Table 2 - Make-up Air Duct Sizing**

Input (MBH)	Required Cross Sectional Duct Area					
	1/4 in, 6.4 mm Wire Screen		Metal Louvers		Wooden Louvers	
	in <sup>2</sup>	cm <sup>2</sup>	in <sup>2</sup>	cm <sup>2</sup>	in <sup>2</sup>	cm <sup>2</sup>
600	<b>150</b>	967	<b>200</b>	1292	<b>600</b>	3869
1000	<b>250</b>	1612	<b>334</b>	2154	<b>1000</b>	6448
1600	<b>400</b>	2580	<b>533</b>	3439	<b>1600</b>	10,322
2000	<b>500</b>	3224	<b>668</b>	4308	<b>2000</b>	12,896
2600	<b>650</b>	4194	<b>894</b>	5595	<b>2600</b>	16,772
3000	<b>750</b>	4836	<b>1002</b>	6462	<b>3000</b>	19,344
4000	<b>1000</b>	6452	<b>1334</b>	8592	<b>4000</b>	25,808

When calculating the free area necessary to meet the make-up air requirements of the enclosure, consideration must be given to the blockage effects of louvers, grills and screens.

Screens must have a minimum mesh size of **1/4 in, 6.4 mm**. If the free area through a louver or grill is not known ducts should be sized per Table 2.

**Direct Intake Air Option - General**

This configuration provides combustion air directly to the boiler's air intake using a dedicated pipe when using the direct vent option. Combustion air can be drawn in horizontally through an outside wall or vertically through the roof, see Figures 2, 3, 4 & 5. It must be sized per Table 3.

Single wall galvanized smoke pipe, single wall aluminum pipe, flexible aluminum pipe, PVC or CPVC pipe can be used for the intake air pipe.

**Table 3 - Intake Air Pipe Sizing**

Model Size	Pipe Diameter	
	in	mm
6	<b>6</b>	152
10	<b>6</b>	152
16	<b>8</b>	203
20	<b>8</b>	203
26	<b>8</b>	203
30	<b>8</b>	203
40	<b>12</b>	305

**NOTICE** All joints in metal intake air systems must be secured using corrosion resistant fasteners and sealed using a suitable Silicone caulk. If PVC or CPVC is used, the joints must be cleaned with a suitable solvent and connected using a solvent based PVC cement. The intake air system **MUST** be supported by the building structure not the boiler.

### Direct Intake Air Option - Vertical

The maximum equivalent length for the vertical intake air pipe is **120 ft, 36.6 m, 100 ft, 30.5 m.** (KN-40). Each 90° mitered elbow and the intake air cap are equal to **10 ft, 3.3 m** of straight pipe. If 90° long sweep elbows are installed use the manufacturers recommended equivalent length.

A listed, nonrestrictive intake air cap must be used. The intake air cap must terminate as shown in Figure 4. The penetration point in the roof must be properly flashed and sealed.

### Direct Intake Air Option - Horizontal

The maximum equivalent length for the horizontal intake air pipe is **120 ft, 36.6 m, 100 ft, 30.5 m.** (KN-40). Each 90° mitered elbow and the intake air terminal are equal to **10 ft, 3.3 m** of straight pipe. If 90° long sweep elbows are installed use the manufacturers recommended equivalent length.

Horizontal runs that exceed **5 ft, 1.5 m** must be supported at **3 ft, 0.98 m** intervals with overhead hangers. The intake air terminal must terminate as shown in Figures 2, 3 or 5.

## GENERAL VENTING GUIDELINES

**WARNING** The vent installation must be in accordance with Part 7, Venting of Equipment, of the National Fuel Gas Code, ANSI Z223.1/NFPA 54-latest revision or applicable provisions of the local building codes. Canadian installations must comply with CSA B149.1 or .2 Installation Code. See Figure A for added clarity. Improper venting can result in excessive levels of carbon monoxide which can result in severe personal injury or death!

All vent systems must be fully supported by the building structure and not by the boiler. A minimum 12" vent length is required from the vent outlet adapter to center of the first vent fitting. Appropriate thimbles and fire-stops must be used where required.

**WARNING** Improper installation of common positive pressure vent systems can result in excessive levels of carbon monoxide which can cause severe personal injury or death!

**WARNING** Boiler shall not be connected to a chimney flue serving a separate appliance, designed to burn solid fuel.

**NOTICE** A barometric damper or blast gate as required, must be installed if a Category II vertical vent system produces a negative draft in excess of **0.15 in, 3.8 mm WC** at the flue outlet. Size the vent system per local codes and the vent pipe manufacturers requirements, using generally accepted engineering practices).

**NOTICE** For Category II and IV appliances the vent shall not terminate:

- 1) over public walkways; or
- 2) near soffit vents or crawl spaces or other areas where condensate or vapor could create a nuisance or hazard or cause property damage; or
- 3) where condensate vapor could cause damage or could be detrimental to the operation of regulators, relief valves, or other equipment.

## VENT SYSTEM OPTIONS

The KN may be vented the following ways:

- 1) **Direct Vent (individual venting only) (page 6 & 7)** - Positive Pressure, Category IV uses a stainless steel vent system certified to UL 1738 for installations in the United States, and a stainless steel vent system certified to ULC S636 for installations in Canada. Combustion air is piped from the outdoors to the blower inlet.
- 2) **Side Wall Vent (individual venting only) (page 13)** - Positive Pressure, Category IV uses a stainless steel vent system certified to UL 1738 for installations in the United States, and a stainless steel vent system certified to ULC S636 for installations in Canada. Combustion air is obtained from the space in which the unit is installed.
- 3) **Vertical Vent (individual venting only) (page 13)** - Positive Pressure, Category IV uses a stainless steel vent system certified to UL 1738 for installations in the United States, and a stainless steel vent system certified to ULC S636 for installations in Canada. Combustion air is obtained from the space in which the unit is installed.
- 4) **Vertical Vent (individual venting only) (page 14)** - Negative Pressure, Category II uses stainless steel vent system certified to UL 1738 for installations in the United States, and a stainless steel vent system certified to ULC S636 for installation in Canada. Combustion air is obtained from the space in which the unit is installed.
- 5) **Common Vent (page 15)** - Negative Pressure, Category II uses a stainless steel vent system certified to UL 1738 for installations in the United States, and a stainless steel vent system certified to ULC S636 for installations in Canada.

**WARNING** Use (Table 4) for the maximum Category (IV) equivalent vent length and the equivalent length per fitting. Table 4 - “Category IV Equivalent Length per Fitting” chart is meant as a guideline for preliminary sizing. If vent length approaches 75% of maximum length listed, an engineered vent system calculation must be performed. Consult factory.

**NOTICE** Abnormal wind patterns may effect overall performance.

**Table 4 - Category IV Maximum Equivalent Vent Length & Equivalent Length per Fitting**

Model/Outlet Diameter	K*	KN6		KN10**		KN16
		4"	4"	5"	6"	
Maximum Equivalent Length (Category IV)		120'	80'	120'	120'	
Standard Tee	1.25	20 ft	20 ft	25 ft	30 ft	
Boot Tee	0.65	10 ft	10 ft	15 ft	15 ft	
Cap - Low Res (UL)	0.50	10 ft	10 ft	10 ft	15 ft	
45° w/Bird Screen	0.40	10 ft	10 ft	10 ft	10 ft	
Elbow - 90°	0.38	10 ft	10 ft	10 ft	10 ft	
Elbow - 45°	0.15	5 ft	5 ft	5 ft	5 ft	
Model/Outlet Diameter	K*	KN20	KN26	KN30	KN40	
		6"	8"	8"	10"	
Maximum Equivalent Length (Category IV)		120'	120'	120'	100'	
Standard Tee	1.25	30 ft	35 ft	35 ft	40 ft	
Boot Tee	0.65	15 ft	15 ft	15 ft	20 ft	
Cap - Low Res (UL)	0.50	15 ft	15 ft	15 ft	15 ft	
45° w/Bird Screen	0.40	10 ft	10 ft	10 ft	15 ft	
Elbow - 90°	0.38	10 ft	10 ft	10 ft	15 ft	
Elbow - 45°	0.15	5 ft	5 ft	5 ft	7 ft	

\*Equivalent lengths based on K factors and (5X) pipe diameters straight length between fittings.

\*\*KN-10 - A maximum equivalent length of 80 ft., 19.7 m utilizing 4" vent diameter and 120 ft. 36.6 m utilizing 5" vent diameter.

## DIRECT VENT POSITIVE PRESSURE, CATEGORY IV

In this configuration the boiler blower is used to push the flue products to the outdoors while drawing combustion air from the outdoors. The INTAKE AIR OPTION instructions under the COMBUSTION AIR & VENTILATION SECTION must be followed!

### Horizontal Direct Vent Systems - Figures 2 & 3

The vent materials used in positive pressure vent systems must be certified to UL 1738 for installations in the United States, ULC S636 for installations in Canada.

To maximize the performance of single wall sheet metal vent systems locate 90° elbows as far from the boiler as possible and from one another. For best results, horizontal vent systems should be as short and straight as possible.

The vent system must be both gas and water tight. All seams and joints in metal pipes must be joined and sealed in accordance with the vent system manufacturer's instructions.

When horizontal vent runs exceed **5 ft, 1.5m** they must be supported at **3 ft, 0.98 m** intervals with overhead hangers. If any part of a single wall metal vent system passes through an unheated space it must be insulated with insulation rated for **400°F, 212°C**.

Horizontal vent systems shall terminate at least **4 ft, 1.3 m** below, **4 ft, 1.3 m** horizontally from or **1 ft, 0.23 m** above any door, window or gravity air inlet into any building. It must not terminate less than **4 ft, 1.3 m** horizontally from, and in no case above or below, unless a **4 ft, 1.3 m** horizontal distance is maintained, from electric meters, gas meters, regulators and relief equipment and not less than **7 ft, 2.3 m** above adjacent public walkway. The bottom of the vent terminal(s) shall be located at least **5 ft, 1.5 m** above the air intake terminal(s) unless there is a **5 ft, 1.5 m** distance between them.

Avoid terminal locations likely to be affected by winds, snowdrifts, people and pets. Protect building materials and vegetation from degradation caused by the flue gases.

When running horizontal combustion air and venting for single or multiple units, exhaust and combustion air terminals must be installed on the same plane (outside wall) in order to prevent pressure differences due to prevailing winds. In cold climates, double-wall or insulated inlet pipe recommended to prevent condensation.

**Vertical Direct Vent Systems - see Figure 4**

The vent materials used in positive pressure vent systems must be certified to UL 1738 for installations in the United States, ULC S636 for installations in Canada.

If any part of a single wall metal vent system passes through an unheated space it must be insulated with insulation rated for **400°F, 204°C**. Structural penetrations must be made using approved fire-stops.

The top of a vertical vent system must extend at least **5½ ft, 1.8 m** above the roof surface that it passes through, **4 ft, 1.3 m** above the intake air cap, see Figure 4. In addition the vent system must conform to the dimensions shown in Figure 4. The penetration point in the roof must be properly flashed and sealed.

The vent system must be gas tight. All seams and joints in metal pipes must be joined and sealed in accordance with the vent system manufacturer's instructions.

**Combination Direct Vent Systems - see Figure 5**

The boiler can be vented vertically with the intake air piped horizontally through an outside wall. Follow the instructions in the INTAKE AIR OPTION - HORIZONTAL GUIDELINES on page 5. Also follow the general instructions in the COMBUSTION AIR & VENTILATION and GENERAL VENTING GUIDELINES sections.

**Table X- Approved Stainless Steel Vent Manufacturers (CAT II/IV)**

Make	Model
DuraVent	FasNSeal Vent
M&G DuraVent	DuraSeal Vent
Heatfab	Saf-T Vent
Metal-Fab	CORR/GUARD
Security Chimneys	Secure Seal
Schebler Chimney Systems	e Vent
VAN-PACKER	CS
Z-Flex	Z-Vent
Jeremias	DWGV/SWGV
ICC	VIC

**Table Y- Approved Intake/Exhaust Terminations (CAT IV - Sidewall/Horizontal Direct Vent)**

Exhaust Termination Hood	Exhaust 90 deg	Exhaust Tee	Exhaust 45 deg	Exhaust Straight

\*with bird screen

**NOTICE** The ATH KN-Series is supplied with a factory installed DuraVent FastNSeal flue outlet adapter. A manufacturers supplied stainless steel transition piece must be used when installed with different vent systems. Do not mix vent systems of different manufacturers. Use only listed vent manufacturers (Table X), terminations (Table Y), and transition adapters (Table Z). The chimney systems manufacturer's installation instructions must be followed.



**Table Z - Approved Manufacturers Stainless Steel Boiler Transition Adapters (CAT II/IV)**

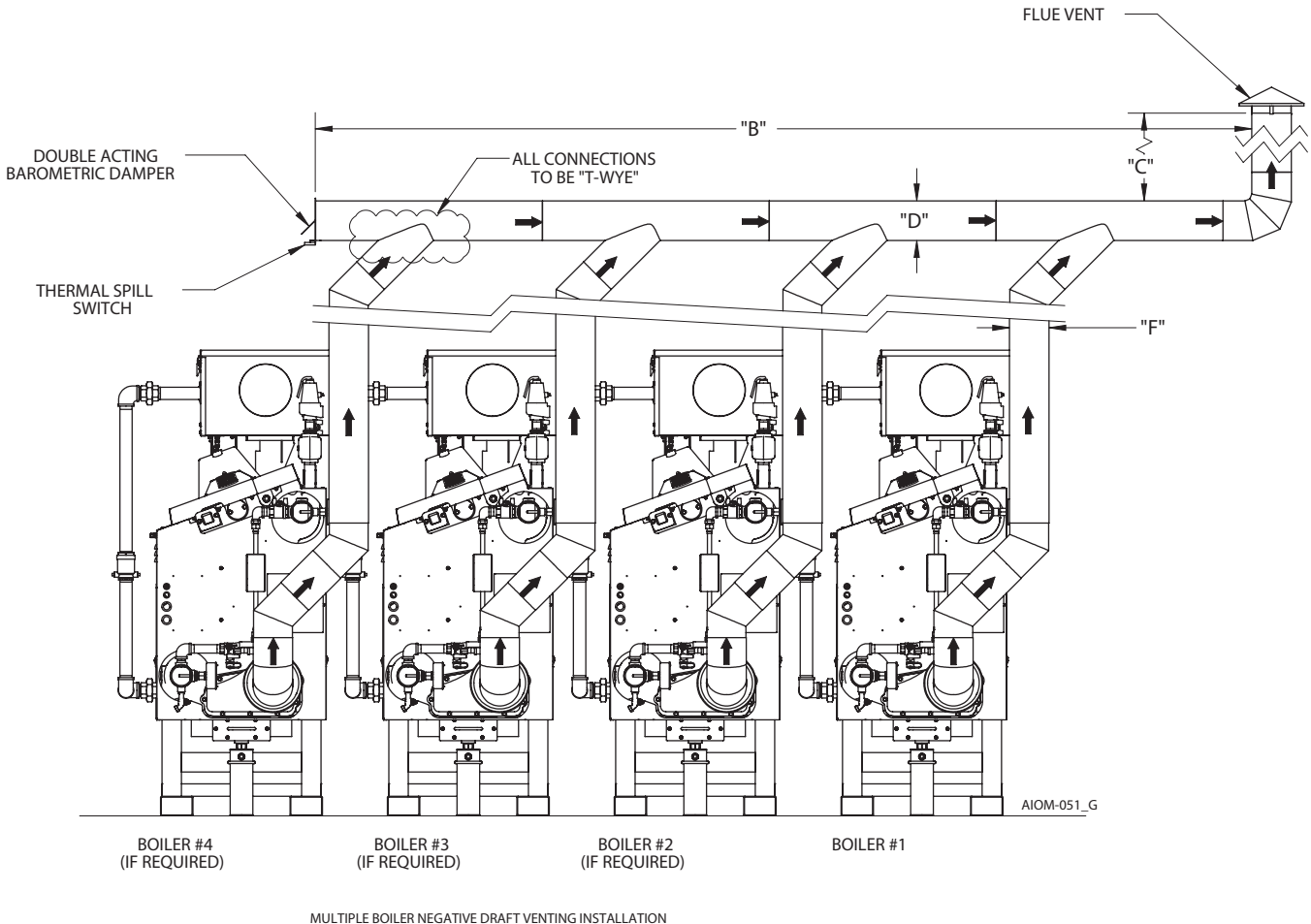
Model Size	DuraVent		M&G DuraVent (DuraSeal)		ICC		Metal-Fab		
	Boiler Adapter*	Flue	Transition Adapter	Flue	Transition Adapter	Flue	Transition Adapter	Flue	
6	810009369	FasNSeal	DS4FFNSAU DSD4FFNSAUK	DS DSD	HM-4AC	VIC-SW VIC-DW	No Adapter Needed	Corr/Guard	
10					810013226		DS5FFNSAU DSD5FFNSAUK		HM-5AC HM-5SDA
16	810005652				DS6FFNSAU DSD6FFNSAUK		HM-6AC HM-6DSDA		6FCSLXL
20					DS8FFNSAU DSD8FFNSAUK		HM-8AC HM-8DSDA		8FCSLCA
26	810005651				DS10FFNSAU DSD10FFNSAUK		HM-10AC HM-10DSDA		10FCSPKA2
30									
40	810013230								

Model Size	Heatfab (Saf-T Vent)		Security Chimneys (Secure Seal)		Jeremias	
	Transition Adapter	Flue	Transition Adapter	Flue	Transition Adapter	Flue
6	9401MAD	EZ/GC CI Plus	SS4FFNSAU SSD4FFNSAUK	SS SSD	SWG4-RCIS	DWGV SWG
10			9501MAD		SS5FFNSAU SSD5FFNSAUK	
16	9601MAD		SS6FFNSAU SSD6FFNSAUK		SWG6-RCIS	
20			SS8FFNSAU SSD8FFNSAUK		SWG8-RCIS	
26	9801MAD		SS10FFNSAU SSD10FFNSAUK		SWG10-RCIS	
30						
40	91001MAD					

Model Size	VAN-PACKER		Z-Flex		Schebler Chimney Systems (e-Vent)		
	Transition Adapter	Flue	Transition Adapter	Flue	Transition Adapter	Flue	
6	C04VLSL/M	CS	2SVSAFNS04	Z-Flex	ESW-UNAK-04R EVD-UNAK-04R	ESW EVD	
10					C05VLSL/M		2SVSAFNS05
16	C06VLSL/M				2SVSAFNS06		ESW-UNAK-06R EVD-UNAK-06R
20					2SVSAFNS08		ESW-UNAK-08R EVD-UNAK-08R
26	C08VLSL/M				2SVSAFNS10		ESW-UNAK-10R EVD-UNAK-10R
30							
40	C10VLSL/M						

\*Factory Installed

Figure 1 - KN-Series Multiple Boiler Common Venting



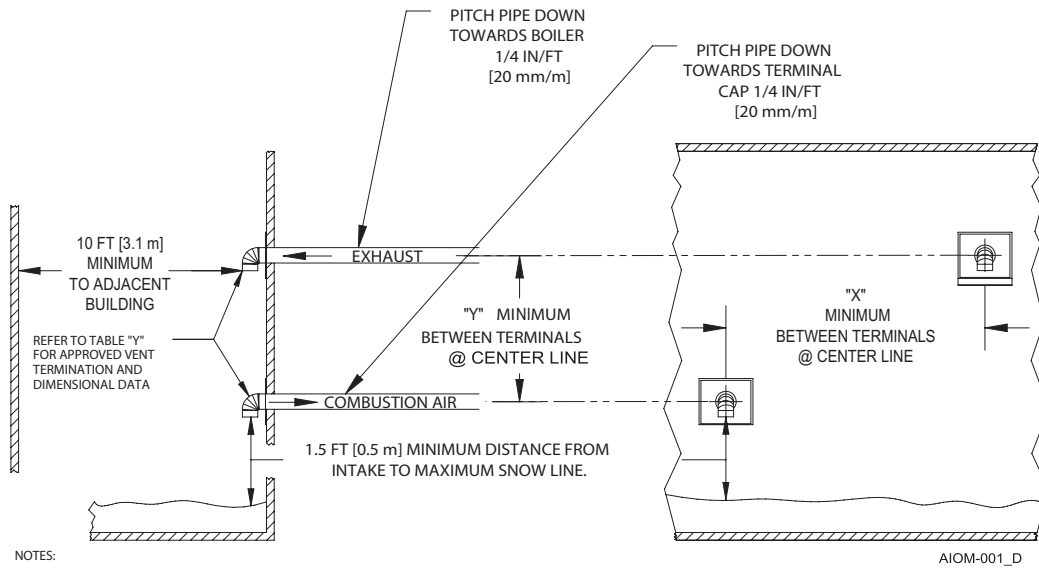
**VERTICAL CHIMNEY VENTING - Vertical venting - multiple boiler installations:**

It is recommended that the boiler nearest the vertical chimney be fired first when the horizontal distance exceeds 50% of the vertical distance.

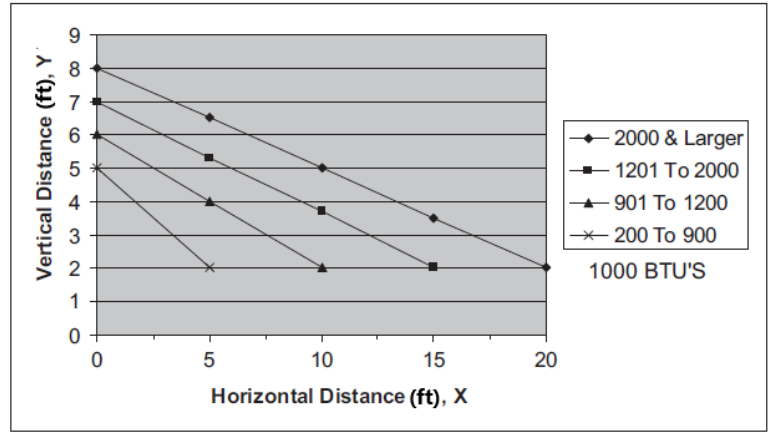
When sized for a (CAT II) configuration, a negative pressure of 0.02 to 0.10 inches WC is required in each boiler's riser when all boilers are operating at full input. A barometric damper must be installed as illustrated. [Exception: if the vent system is designed using accepted engineering practices, and the design calculations prove there is no need for barometric dampers, the barometric dampers may be omitted.] When required by applicable codes, install a thermal spill switch on each barometric damper.

1. Connect each boiler riser to the common vent with a Y connection only.
2. Install an approved vent cap at each vent termination.
3. Dimensions:
  - B = breeching length
  - C = chimney height
  - D = breeching diameter
  - F = riser diameter
  - (No smaller than the dimension given in Table 4)
4. Multi-story, common venting systems shall be in accordance with the National Fuel Gas Code, ANSI Z223.1/NFPA 54 and/ or the CSA B149.1, Natural Gas and Propane Installation Code (Current Editions), local codes and vent manufacturer's installation instructions. Size the chimney and breeching using generally accepted engineering practices. (Consult factory for vertical heights beyond 60 ft.)

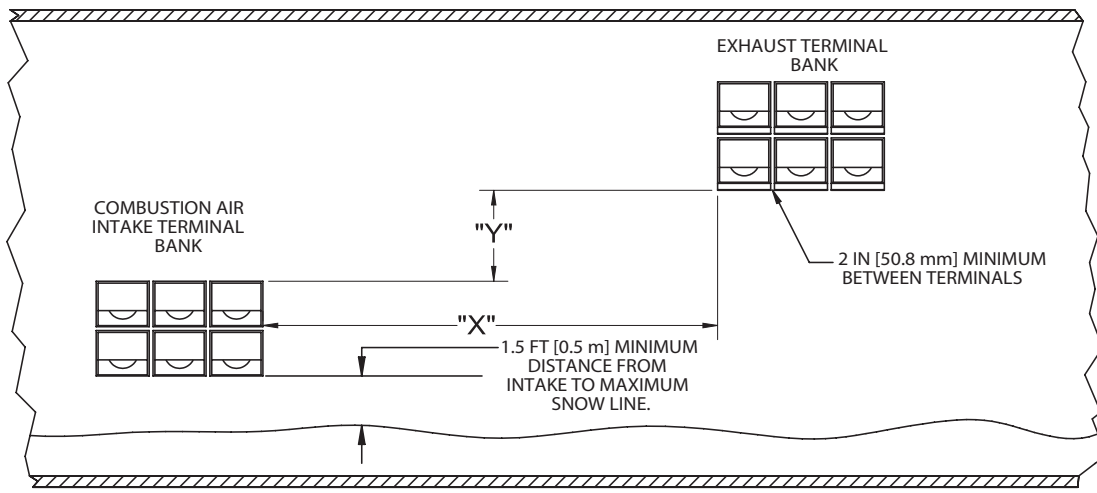
**Figure 2 - Horizontal Air Intake and Venting for a Single Direct Vent System**



**WARNING:** When running horizontal combustion air and venting for single or multiple units, exhaust and combustion air terminals must be installed on the same plane (outside wall) in order to prevent pressure differences due to prevailing winds. In cold climates, double-wall or insulated inlet pipe recommended to prevent condensation.



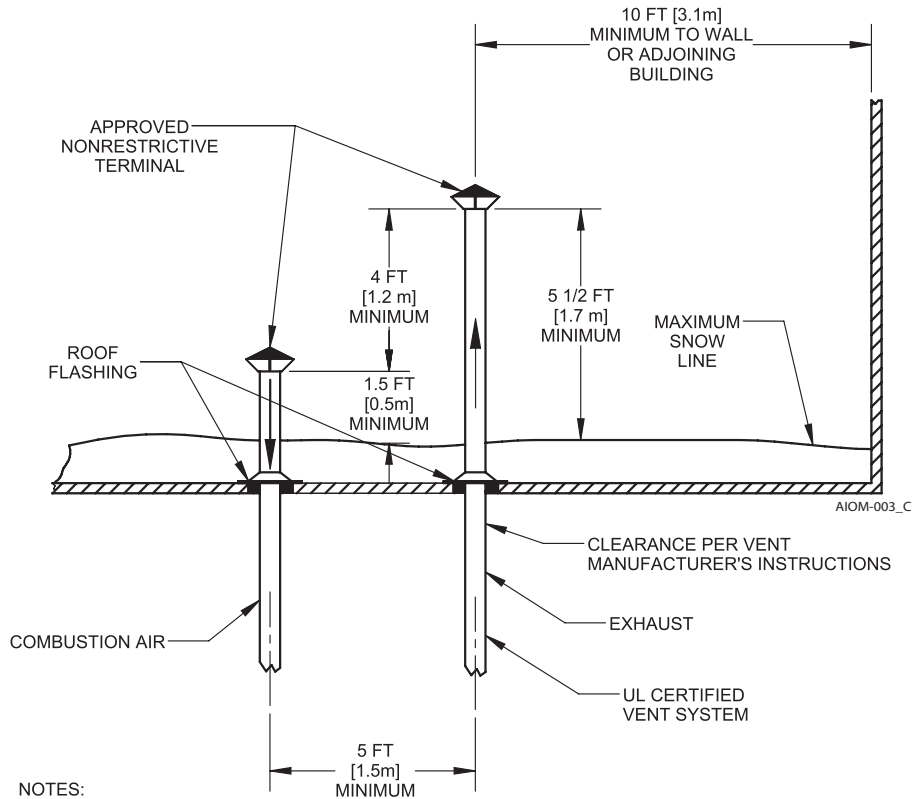
**Figure 3 - Horizontal Air Intake and Venting for Multiple Direct Vent Systems**



NOTES:  
1. DIMENSIONS ARE IN INCHES (IN), FEET (FT), MILLIMETERS [mm] OR METERS [m] AS SHOWN.

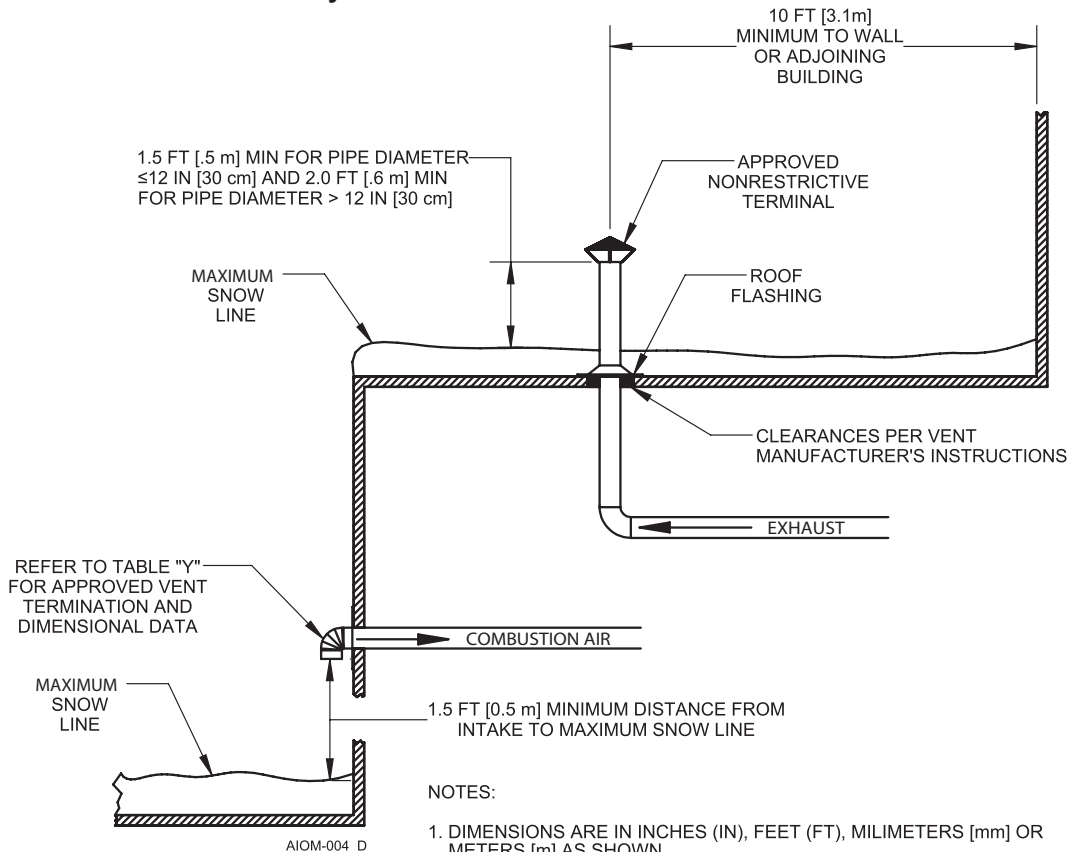
AIOM-065\_B

**Figure 4 - Vertical Air Intake and Venting for Direct Vent System**



1. DIMENSIONS ARE IN INCHES (IN), FEET (FT), MILLIMETERS [mm] OR METERS [m] AS SHOWN.

**Figure 5 - Combination Direct Vent Systems**



1. DIMENSIONS ARE IN INCHES (IN), FEET (FT), MILLIMETERS [mm] OR METERS [m] AS SHOWN.

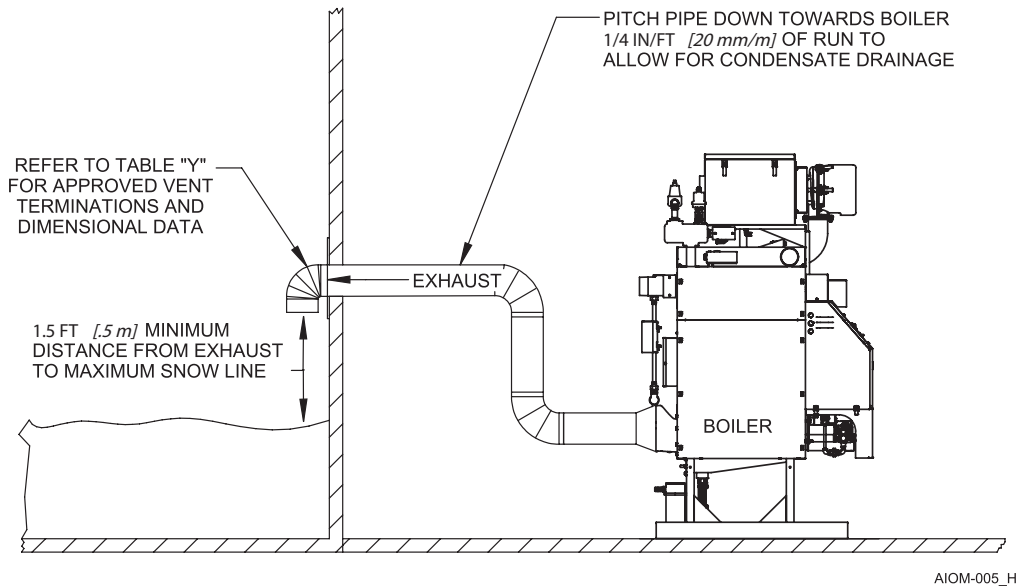
## SIDE WALL VENT POSITIVE PRESSURE, CATEGORY IV

In this configuration the boiler blower is used to push the flue products horizontally to the outdoors, see Figure 6.

**WARNING** To ensure proper operation, boilers that are vented sidewall and use room air must not fire less than 10% input.

The air for combustion is taken from the space in which the unit is installed. The applicable instructions under the COMBUSTION AIR & VENTILATION SECTION must be followed! The vent guidelines under the HORIZONTAL DIRECT VENT SYSTEMS section must also be followed.

Figure 6 - Side Wall Venting



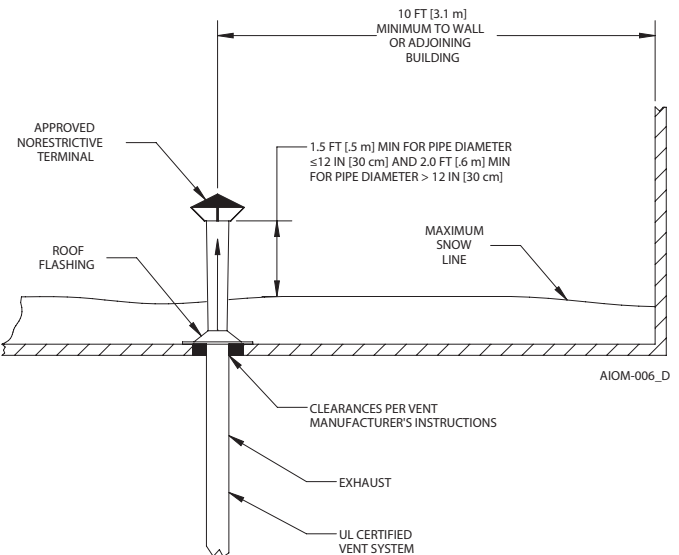
NOTES:

1. DIMENSIONS ARE IN INCHES (IN) , FEET (FT) , MILIMETERS [mm] OR METERS [m] AS SHOWN.

## VERTICAL VENT (Recommended) POSITIVE PRESSURE - CATEGORY IV

In this configuration the boiler blower is used to push the flue products vertically to the outdoors, see Figure 7. The air for combustion is taken from the space in which the unit is installed. The applicable instructions under the COMBUSTION AIR & VENTILATION SECTION must be followed! The vent guidelines under the VERTICAL DIRECT VENT SYSTEMS section must also be followed.

Figure 7 - Vertical Positive Pressure Venting



NOTES:

1. DIMENSIONS ARE IN INCHES (IN) , FEET (FT) , MILIMETERS [mm] OR METERS [m] AS SHOWN.

## VERTICAL VENT (Optional) NEGATIVE PRESSURE - CATEGORY II

The KN is listed as a Category II appliance when vented vertically into a listed metal AL294C S.S. chimney system, Figure 8. The chimney system must provide a negative pressure of **0.02 to 0.10 in**, *0.51 to 2.5 mm* WC at the boiler flue collar with the unit running.

**NOTICE** When using a listed metal chimney system the chimney system manufacturer’s instructions must be followed.

**WARNING** Multiple boiler vent systems must be designed and verified by a qualified professional and stack manufacturer. The vent system must prevent backflow of exhaust gas through idle boilers.

When more than one appliance is connected to the same chimney system the system must be large enough to safely vent the combined output of all of the appliances.

Table 5 lists the minimum riser sizes required for the KN boiler - Category II.

**WARNING** If an appliance using any type of a mechanical draft system operating under positive pressure is connected to a chimney flue, never connect any other appliances to this flue. Doing so can result in excessive levels of carbon monoxide which can cause severe personal injury or death!

**Table 5 - Minimum Riser Connection, Negative Pressure - Category II**

Model Size	Diameter	
	in	mm
6	8	203
10	8	203
16	10	254
20	10	254
26	12	305
30	12	305
40	14	356

**NOTICE** Vent system must be sized per an engineered system

### Vent Connections

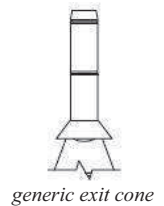
Locate the boiler as close to the chimney system as possible. Use the shortest, straightest vent connector possible for the installation. If horizontal runs exceed **5 ft**, *1.5 m* they must be supported at **3 ft**, *0.9 m* intervals with overhead hangers. Use the appropriate vent connector of the same diameter as the flue collar to connect the boiler to a listed metal chimney system. Follow the chimney system manufacturer’s instructions for proper assembly.

The vent system should be sloped up toward the chimney at a minimum rate of **1/4 in/ft**, *2 cm/m*.

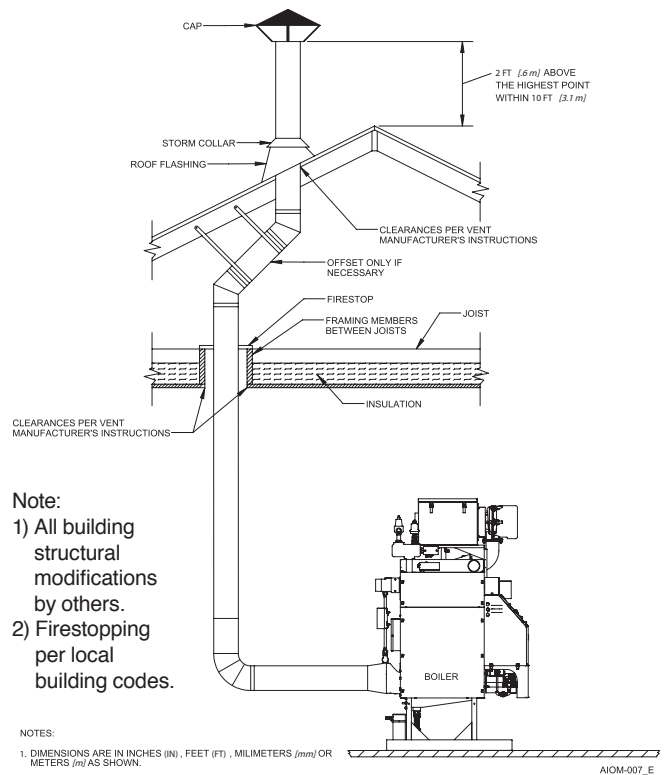
Always provide a minimum clearance of **6 in**, *152 mm* between single wall vent pipe and any combustible materials.

**WARNING** Failure to maintain minimum clearances between vent connectors and any combustible material can result in a fire causing extensive property damage, severe personal injury or death!

Exit cones are favorable when used to increase the velocity of the flue gas exiting the stack and, may also help, in cold climates, to reduce ice build-up. Exit cone terminations must be supplied by others, installed per manufacturer’s instructions, and meet local and federal code.



**Figure 8 - Vertical Venting with a Metal Chimney System**



## EXISTING COMMON VENT SYSTEMS

If an existing boiler is removed from a common venting system, the common venting system may then be too large for the proper venting of the remaining appliances connected to it. At the time of removal of an existing boiler, the following steps shall be followed with each appliance remaining connected to the common venting system placed in operation, while the other appliances remaining connected to the common venting system are not in operation.

Au moment du retrait d'une chaudière existante, les mesures suivantes doivent être prises pour chaque appareil toujours raccordé au système d'évacuation commun et qui fonctionne alors que d'autres appareils toujours raccordés au système d'évacuation ne fonctionnent pas: système d'évacuation

- a) Seal any unused openings in the common venting system.

Sceller toutes les ouvertures non utilisées du système d'évacuation.

- b) Visually inspect the venting system for proper size and horizontal pitch and determine there is no blockage or restriction, leakage, corrosion and other deficiencies which could cause an unsafe condition.

Inspecter de façon visuelle le système d'évacuation pour déterminer la grosseur et l'inclinaison horizontale qui conviennent et s'assurer que le système est exempt d'obstruction, d'étranglement de fuite, de corrosion et autres défaillances qui pourraient présenter des risques.

- c) Insofar as is practical, close all building doors and windows and all doors between the space in which the appliances remaining connected to the common venting system are located and other spaces of the building. Turn on clothes dryers and any appliance not connected to the common venting system. Turn on any exhaust fans, such as range hoods and bathroom exhaust, so they will operate at maximum speed. Do not operate a summer exhaust fan for a boiler installation. Close fireplace dampers.

Dans la mesure du possible, fermer toutes les portes et les fenêtres du bâtiment et toutes les portes entre l'espace où les appareils toujours raccordés du système d'évacuation sont installés et les autres espaces du bâtiment. Mettre en marche les sècheuses, tous les appareils non raccordés au système d'évacuation commun et tous les ventilateurs d'extraction comme les hottes de cuisinière et les ventilateurs des salles de bain. S'assurer que ces ventilateurs fonctionnent à la vitesse maximale. Ne pas faire fonctionner les ventilateurs d'été. Fermer les registres des cheminées.

- d) Place in operation the appliance being inspected. Follow the lighting instructions. Adjust thermostat so appliance will operate continuously.

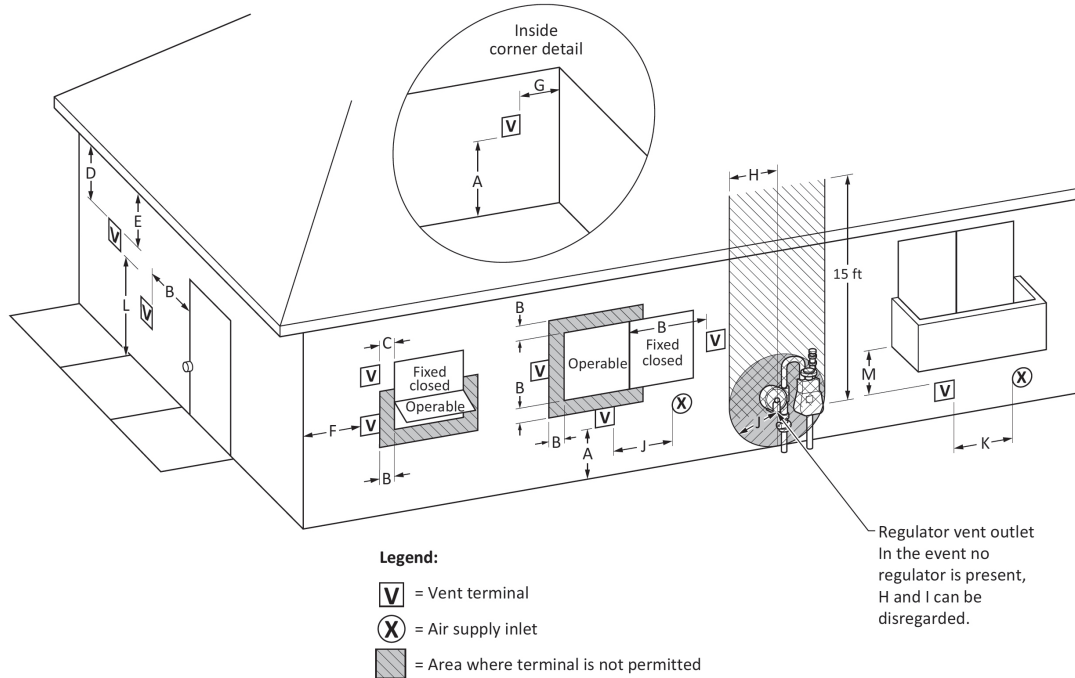
Mettre l'appareil inspecté en marche. Suivre les instructions d'allumage. Régler le thermostat de façon que l'appareil fonctionne de façon continue.

- e) After it has been determined that each appliance remaining connected to the common venting system properly vents when tested as outlined above, return doors, windows, exhaust fans, fireplace dampers and any other gas-burning appliance to their previous condition of use.

Une fois qu'il a été déterminé, selon la méthode indiquée ci-dessus, que chaque appareil raccordé au système d'évacuation est mis à l'air libre de façon adéquate. Remettre les portes et les fenêtres, les ventilateurs, les registres de cheminées et les appareils au gaz à leur position originale.

- f) Any improper operation of the common venting system should be corrected so the installation conforms with the National Fuel Gas Code, ANSI Z223.1/NFPA 54. When resizing any portion of the common venting system, the common venting system should be resized to approach the minimum size as determined using the appropriate tables in Appendix F in the National Fuel Gas Code, ANSI Z223.1/ NFPA 54 and or CSA B149 Installation Codes.

Tout mauvais fonctionnement du système d'évacuation commun devrait être corrigé de façon que l'installation soit conforme au National Fuel Gas Code, ANSI Z223.1/NFPA 54 et (ou) aux codes d'installation CSA-B149. Si la grosseur d'une section du système d'évacuation doit être modifiée, le système devrait être modifié pour respecter les valeurs minimales des tableaux pertinents de l'appendice F du National Fuel Gas Code, ANSI Z223.1/NFPA 54 et (ou) des codes d'installation CSA-B149.



**Figure A - Direct Vent Terminal Clearances**

		<b>Canadian Installations<sup>1</sup></b>	<b>US Installations<sup>2</sup></b>
A =	Clearance above grade, veranda, porch, deck, or balcony	12 in (30 cm)	12 in (30 cm)
B =	Clearance to window or door that may be opened	6 in (15 cm) for appliances ≤ 10,000 Btuh (3 kW); 12 in (30 cm) for appliances > 10,000 Btuh (3 kW) and ≤ 100,000 Btuh (30 kW); 36 in (91 cm) for appliances > 100,000 Btuh (30 kW)	6 in (15 cm) for appliances ≤ 10,000 Btuh (3 kW); 9 in (23 cm) for appliances > 10,000 Btuh (3 kW) and ≤ 50,000 Btuh (15 kW); 12 in (30 cm) for appliances > 50,000 Btuh (15 kW)
C =	Clearance to permanently closed window	Per local installation codes	
D =	Vertical clearance to ventilated soffit located above the terminal within a horizontal distance of 2 ft (61 cm) from the center line of the terminal.		
E =	Clearance to unventilated soffit		
F =	Clearance to outside corner		
G =	Clearance to inside corner		
H =	Clearance to each side of center line extended above meter / regulator assembly	3 ft (91 cm) within a height of 15 ft (4.6m)	
I =	Clearance to service regulator vent outlet	3 ft (91 cm)	
J =	Clearance to nonmechanical air supply inlet to building or the combustion air inlet to any other appliance	6 in (15 cm) for appliances ≤ 10,000 Btuh (3kW); 12 in (30 cm) for appliances > 10,000 Btuh (3 kW) and ≤ 100,000 Btuh (30 kW); 36 in (91 cm) for appliances > 100,000 Btuh (30 kW)	6 in (15 cm) for appliances ≤ 10,000 Btuh (3kW); 9 in (23 cm) for appliances > 10,000 Btuh (3 kW) and ≤ 50,000 Btuh (15 kW); 12 in (30 cm) for appliances > 50,000 Btuh (15 kW)



**Figure A - Direct Vent Terminal Clearances - Concluded**

K =	Clearance to a mechanical air supply inlet	6 ft (1.83 m)	3 ft (91 cm) above if within 10 ft (3 m) horizontally
L =	Clearance above paved sidewalk or paved driveway located on public property	7 ft (2.13 m)†	Vents for Category II and IV appliances cannot be located above public walkways or other areas where condensate or vapor can cause a nuisance or hazard
M =	Clearance under veranda, porch, deck, or balcony	12 in (30 cm)‡	Per local installation codes
†	A vent shall not terminate directly above a sidewalk or paved driveway that is located between two single family dwellings and serves both dwellings.		
‡	Permitted only if veranda, porch, deck, or balcony is fully open on a minimum of two sides beneath the floor.		
<b>NOTES:</b>			
1)	In accordance with the current CSA B149.1, Natural Gas and Propane Installation Code		
2)	In accordance with the current ANSI Z223.1/NFPA 54, National Fuel Gas Code		
3)	If locally adopted installation codes specify clearances different than those illustrated, then the most stringent clearances must prevail.		

**Figure A - Other Than Direct Vent Terminal Clearances**

		<b>Canadian Installations<sup>1</sup></b>	<b>US Installations<sup>2</sup></b>
A =	Clearance above grade, veranda, porch, deck, or balcony	12 in (30 cm)	12 in (30 cm)
B =	Clearance to window or door that may be opened	6 in (15 cm) for appliances ≤ 10,000 Btuh (3 kW); 12 in (30 cm) for appliances > 10,000 Btuh (3 kW) and ≤ 100,000 Btuh (30 kW); 36 in (91 cm) for appliances > 100,000 Btuh (30 kW)	4 ft (1.2 m) below or to side of opening; 1 ft (300 mm) above opening
C =	Clearance to permanently closed window	Per local installation codes	
D =	Vertical clearance to ventilated soffit located above the terminal within a horizontal distance of 2 ft (61 cm) from the center line of the terminal		
E =	Clearance to unventilated soffit		
F =	Clearance to outside corner		
G =	Clearance to inside corner		
H =	Clearance to each side of center line extended above meter/regulator assembly	3 ft (91 cm) within a height of 15 ft (4.6m)	
I =	Clearance to service regulator vent outlet	3 ft (91 cm)	
J =	Clearance to nonmechanical air supply inlet to building or the combustion air inlet to any other appliance	6 in (15 cm) for appliances ≤ 10,000 Btuh (3kW); 12 in (30 cm) for appliances > 10,000 Btuh (3 kW) and ≤ 100,000 Btuh (30 kW); 36 in (91 cm) for appliances > 100,000 Btuh (30 kW)	4 ft (1.2 m) below or to side of opening; 1 ft (300 mm) above opening

**Figure A - Other Than Direct Vent Terminal Clearances - Concluded**

K =	Clearance to a mechanical air supply inlet	6 ft (1.83 m)	3 ft (91 cm) above if within 10 ft (3 m) horizontally
L =	Clearance above paved sidewalk or paved driveway located on public property	7 ft (2.13 m)†	Vents for Category II and IV appliances cannot be located above public walkways or other areas where condensate or vapor can cause a nuisance or hazard
M =	Clearance under veranda, porch, deck, or balcony	12 in (30 cm)‡	Per local installation codes
†	A vent shall not terminate directly above a sidewalk or paved driveway that is located between two single family dwellings and serves both dwellings.		
‡	Permitted only if veranda, porch, deck, or balcony is fully open on a minimum of two sides beneath the floor.		
<b>NOTES:</b>			
1)	In accordance with the current CSA B149.1, Natural Gas and Propane Installation Code		
2)	In accordance with the current ANSI Z223.1/NFPA 54, National Fuel Gas Code		
3)	If locally adopted installation codes specify clearances different than those illustrated, then the most stringent clearances must prevail.		

## OUTDOOR VENTING

When installed outdoors the KN must be fitted with the factory supplied outdoor hood, air intake adapter with filter and exhaust terminal, see Figure 8A. Multiple units must be spaced per Figure 8B.

The boiler must be at least 2 ft, .62 m from any door, window or gravity air inlet into any building and at least 3 ft, 1 m from any overhang unless local codes dictate differently.

Avoid locations where wind deflection off of adjacent walls, buildings or shrubbery might cause a downdraft. The unit(s) should be located at least 3 ft, 1 m from structures. Outdoor installations are not recommended in areas where the danger of snow blockage exists.

**CAUTION** Do not place the boiler in a location that would subject it to runoff from adjacent buildings or damage may occur voiding the warranty!

**WARNING** The boiler and system must be filled with a glycol mixture not to exceed 50% by volume. All water piping exposed to low temperatures must be insulated.

Figure 8A - Outdoor Venting

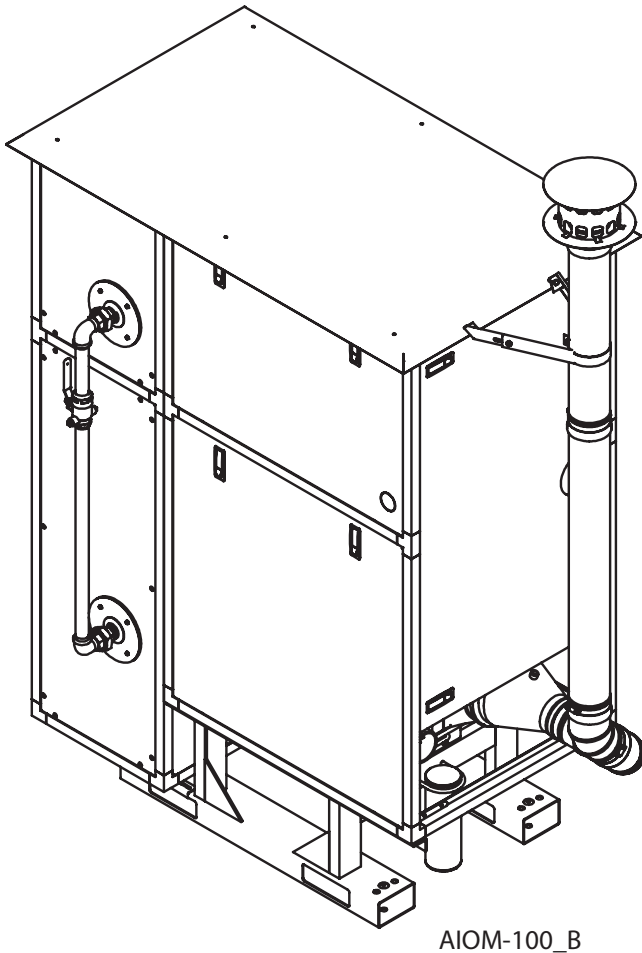
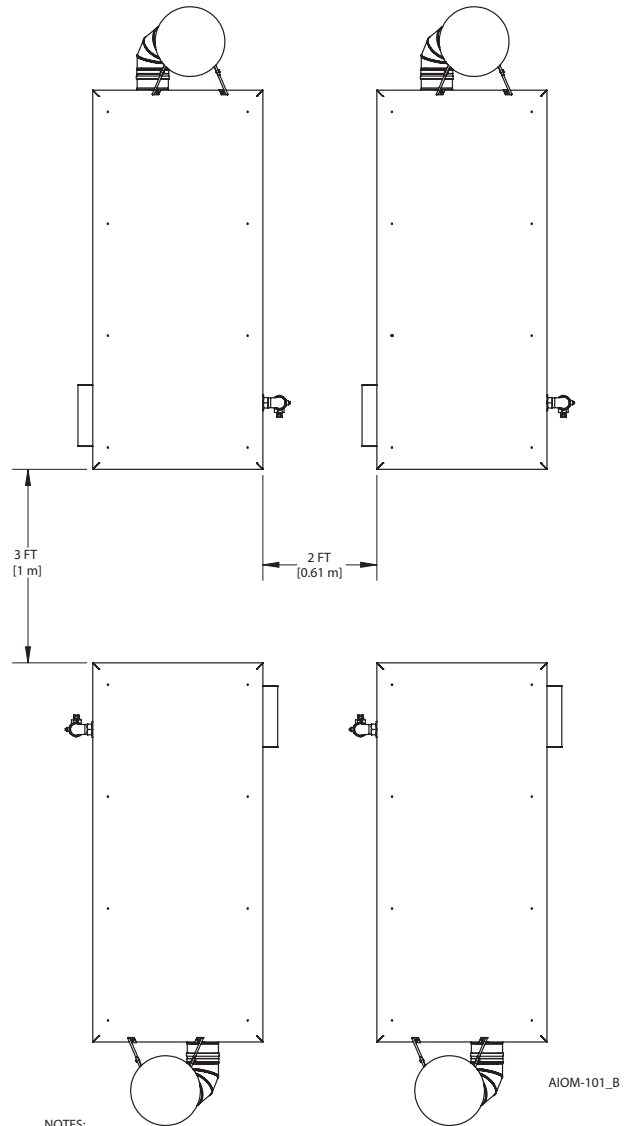


Figure 8B - Multiple Outdoor Units



NOTES:

1. DIMENSIONS ARE IN INCHES (IN), FEET (FT), MILLIMETERS (mm) OR METERS (m) AS SHOWN.

**WARNING** The KN-Series Boiler is certified for outside installations in temperate climate not subject to freezing temperatures.

1. The condensate traps located under the secondary heat exchanger and the vent pipe must be wrapped with heat tape to ensure the traps never drop below 32°F.
2. The vent pipe must be insulated to prevent freezing of condensate in the pipe.
3. The boiler and system must be filled with a propylene glycol/water antifreeze mixture not to exceed 50% glycol by volume.
4. All water piping exposed to low temperatures must be insulated.
5. A continuous flow of water through the unit **MUST** be maintained! The pump responsible for flow through the boiler/water heater must run continuously!

## GENERAL PIPING REQUIREMENTS

**CAUTION** Improper piping of this boiler will void the manufacturer’s warranty and can cause boiler failure resulting in flooding and extensive property damage!

**NOTICE** Shut off valves and unions should be installed at the inlet and outlet connections of the boiler to provide for isolation of the unit should servicing be necessary.

### Relief Valve

Pipe the discharge of the pressure relief valve as shown in Figure 9. Mount on rear section or vertically on supply nipple.

**CAUTION** Never install any type of valve between the boiler and the relief valve or an explosion causing extensive property damage, severe personal injury or death may occur!

### Flow Sensor

The factory mounted SIKA flow sensor, as shown in Figure 9, is wired to prevent the boiler from firing unless there's adequate water flow, (Table 6), through the unit.

**NOTICE** The SIKA flow sensor sends information to the HeatNet control and displays the water flow information in (gpm). The minimum flow settings are fully adjustable. The boiler will not operate if the (gpm) falls below the minimum value. If the system is using Glycol the % of glycol mixture must be entered. The SIKA Flow sensor is limited to **194°F**, 90°C water temperature, 145 psi operating pressure and a 50% glycol mixture. If the return water temperature rises above **194°F**, 90°C the boiler will shut down. For applications outside these requirements, please consult Manufacturer. Reference the HeatNet IOM for menu instructions.

### Air Vent

The factory mounted air vent, as shown in Figure 9, is installed to automatically purge unwanted air from the boiler allowing the system to run more effectively.

**NOTICE** Please note that after installing in a new system or retrofitting an old, close the Boiler isolation valve installed upstream of the Air Vent prior to filling the system with water. Once the system has been properly filled open the Air Vent isolation valve for automatic operation. If this is not done, it is entirely possible that the internal float mechanism will become clogged open, causing the air vent to leak.

**NOTICE** Prevent supply/return nipple from turning during attachment to system piping.

**NOTICE** In order to maintain boiler capacity, increase flow rates approximately (10%) and pump head (25%) for mixtures up to 50% glycol.

**Table 6 - Temperature Rise Table**

Model Size	Water Flow Rates (GPM)		
	100%-Input		10%-Input
	Min.*	Max.*	Min.
6	10.8	54.0	10.8
10	18.0	90.0	18.0
16	28.8	144.1	23.8
20	36.0	180.0	33.2
26	46.8	234.1	41.5
30	54.0	270.1	48.4
40	70.8	354.1	63.9

\*Min/Max flow correspond to a (20°F/100°F) Δt at full input. Verify system pipe sizing allows for flow velocity requirements.

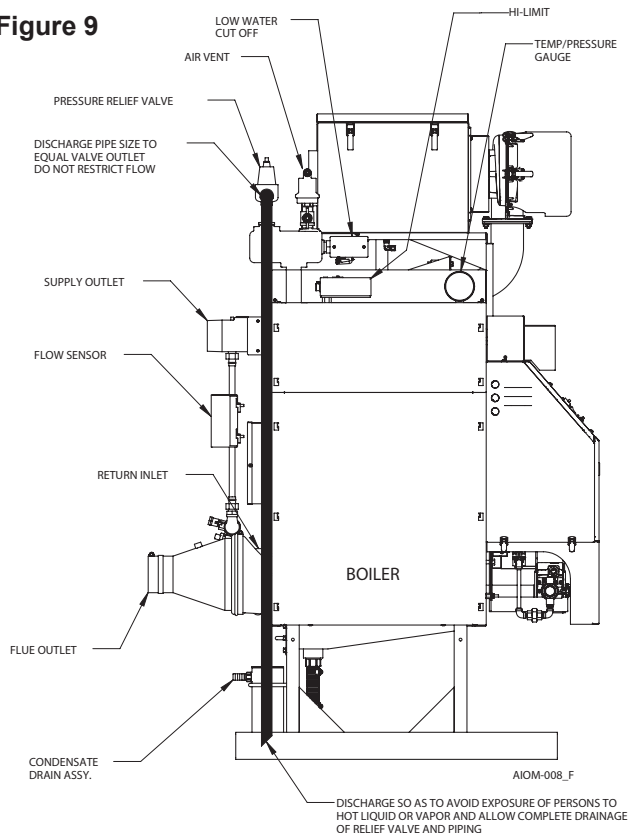
**NOTICE** Use the following equation to determine the boiler derate capacity when adjustments aren't made. (2012 ASHRAE Systems Handbook)

$$qw = 500 * Q * (p/pw) * Cp * \Delta T$$

Where

- qw = Total heat transfer rate, BTU/h
- Q = flow rate, gpm
- p = fluid density, lb/ft<sup>3</sup>
- pw = density of water at 60°F, lb/ft<sup>3</sup>
- Cp = specific heat of fluid, Btu/lb °F
- ΔT = temperature difference, °F

**Figure 9**



## HEATING SYSTEM PIPING

### General Piping Requirements

All heating system piping must be installed by a qualified technician in accordance with the latest revision of the ANSI/ASME Boiler and Pressure Vessel Code, Section IV.

Where required, the piping must comply with ANSI/ASME CSD-1, Standard for Controls and Safety Devices for Automatically Fired Boilers.

All applicable local codes and ordinances must also be followed. A minimum clearance of 1in, 25 mm must be maintained between heating system pipes and all combustible construction. All heating system piping must be supported by suitable hangers, not the boiler. The thermal expansion of the system must be considered when supporting the system. A minimum system pressure of 20 psig, 138 kPa must be maintained at boiler operating conditions. For glycol systems, a minimum system pressure of 30 psig, 207 kPa must be maintained at boiler operating conditions.

**NOTICE** When equipped with a boiler pressure transducer, pressure will be monitored closely for increased protection. A warning and/or alarm will be detected when conditions fall below the following parameters:

- Warning (boiler water) - pressure < 18 psi
- Warning (boiler water/glycol mix) - pressure < 28 psi
- Alarm - pressure < 15 psi

### Boiler Piping Connections

The supply and return connections should be sized to suit the system, see Table 7.

**Table 7 - Supply & Return Pipe Sizing**

Model Size	Supply Size	Return Size
6	3" NPT	3" NPT
10	3" NPT	3" NPT
16	3" NPT	3" NPT
20	3" NPT	3" NPT
26	4" NPT	4" NPT
30	4" NPT	4" NPT
40	4" NPT	4" NPT

**CAUTION** **System Cleaning & Flushing:** Prior to commissioning the boiler(s), the piping/system must be cleaned and flushed to prevent contaminants from settling back into the boiler and fouling the heat exchanger.

Isolate the boiler from the system prior to the cleaning process. Fill the system with water, add the cleaning solution and follow the solution manufacturer's instructions. Once clean, refill the system with clean water as specified in the Water Treatment section.

### Water Treatment

This boiler was designed to operate in a closed loop heating system. System fill water must not contain more than 500 ppm of total dissolved solids and no greater than 300 ppm hardness. Suspended solids such as Magnetite, Iron Oxides must be flushed from the system prior to commissioning the boiler(s). The PH level must be within the 6.5-11 range. Where required, the system must be protected by the addition of a corrosion inhibitor per the chemical supplier's instructions.

For systems requiring glycol for freeze protection use a glycol/water mix that prevents foaming. Air entrapped within foam significantly decreases heat transfer and can result in damage to the sections. Products such as DOWFROST, DOWTHERM, UCARTHERM or an equivalent product must be used to ensure proper protection to the boiler.

The water used for dilution of concentrated heat transfer fluids must be distilled, de-ionized, or equivalently clean as stated above. De-ionized water by itself can be aggressive towards many metals, but is perfectly safe when used for dilution of DOWFROST, DOWTHERM or UCARTHERM as specified by the manufacturer.

### FAILURE TO ENSURE PROPER WATER QUALITY CAN RESULT IN DAMAGE TO THE BOILER(S) VOIDING THE WARRANTY.

### Water Meter

Make-up water introduced into a closed system due to system leaks can negatively affect the long term reliability of the heating system resulting in abnormal boiler water quality. It is recommended that a water meter be installed in the system make-up line. If make-up is recorded, the leaks must be found and repaired.

### Pump Requirements

This boiler requires a continuous minimum water flow for proper operation. The system pump must be sized to overcome the head loss of the boiler and the heating system in order to achieve the required temperature rise. If the system contains hydronic antifreeze this must be considered when sizing the pump. The temperature rise across the boiler must never exceed **100°F, 55.6°C**.

### Low Water Cutoff

Each KN boiler comes equipped with a factory installed low water cutoff.

### Expansion Tank & Air Separator

An expansion tank or other means to control thermal expansion must be installed in the heating system. It is recommended the expansion tank is installed close to the suction side of the pump. Coalescing style air separators are strongly recommended in Variable Speed Systems where velocities can vary and maybe too slow for conventional type air separators. Failure to follow these guidelines will result in poor system performance with minimal air removal and may void the factory warranty.

**Reverse Return Piping (RECOMMENDED)**

Consideration of system thermal mass, minimum system load & system flow must be based on the relationship between the boiler minimum output and the system’s ability to absorb the energy. Insure at least a ten (10) minute boiler run cycle at minimum system load. Systems using multiple boilers can also be installed using a reverse return system, Figure 11.

**Primary/Secondary Piping**

Although acceptable, the system is not as cost effective as reverse return piping. Figure 12 shows a typical primary/secondary piping system. A dedicated pump is used to maintain a constant water flow through the boiler. Flow must be properly accounted for in the design of primary/secondary systems. In order to prevent boiler(s) short cycling the system flow must be equal to or higher than the boiler(s) local flow. Systems using multiple boilers can be installed using a primary/secondary manifold system, Figure 13.

**Piping For Use With Cooling Units**

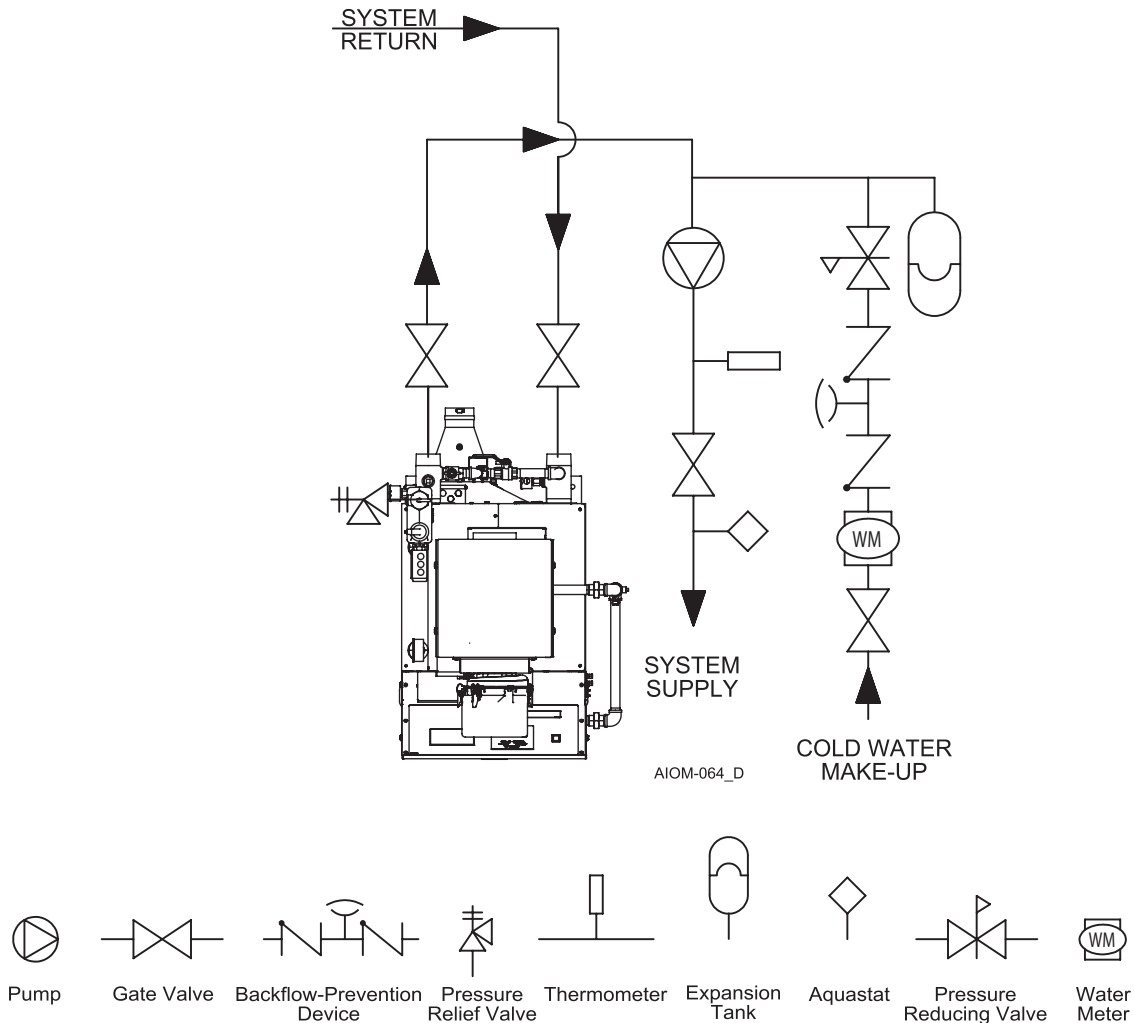
The boiler, when used in connection with a refrigeration system, must be installed so the chilled medium is piped in parallel with the boiler. Appropriate valves must be used to prevent the chilled water from entering the boiler.

When a boiler is connected to a heating coil that may be exposed to refrigerated air from an air handling device, the piping system must be equipped with flow-control valves or some other automatic means of preventing gravity circulation of the boiler water during the cooling cycle.

**NOTICE** It is essential that following boiler shut off, the boiler pump continue to operate for approximately (5) minutes to dissipate the heat away from the heat exchanger.

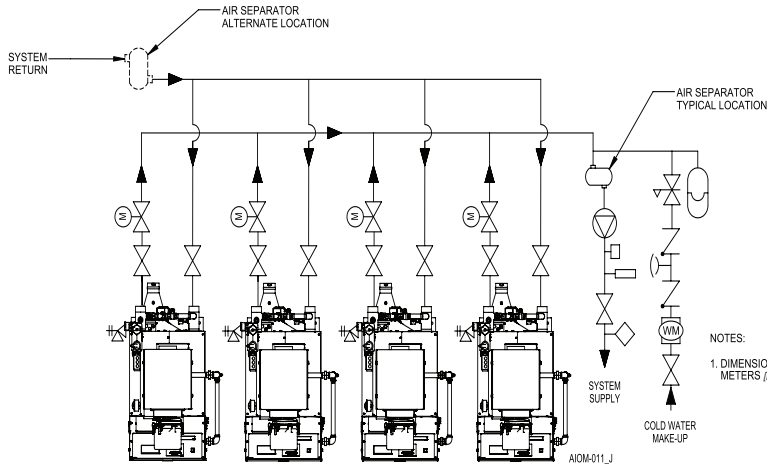
**Figure 10 - Typical Single Boiler Piping (RECOMMENDED)**

(Circulator pump **must** be sized for minimum water flow rate of boiler, including system pressure drop)



**Figure 11 - Typical Multiple Boiler Reverse Return Piping (RECOMMENDED)**

(Careful consideration as to minimum boiler and system water flow rates must be taken. Please consult our local manufactures representative for assistance.)



NOTES:  
1. DIMENSIONS ARE IN INCHES (IN), FEET (FT), MILLIMETERS (mm) OR METERS (m) AS SHOWN.

NOTE: Not all system valves may be shown. Consult local codes for additional system components which may be necessary. For HeatNet operation, a sensor is required and installed at a minimum of 12" from primary loop tee.



Motorized Valve



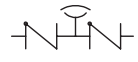
Pump



Gate Valve



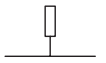
Check Valve



Backflow-Prevention Device



Pressure Relief Valve



Thermometer



Expansion Tank



Aquastat



Pressure Reducing Valve



HeatNet Sensor

For HeatNet operation, a sensor is required and installed at a minimum of 12" from primary loop tee.

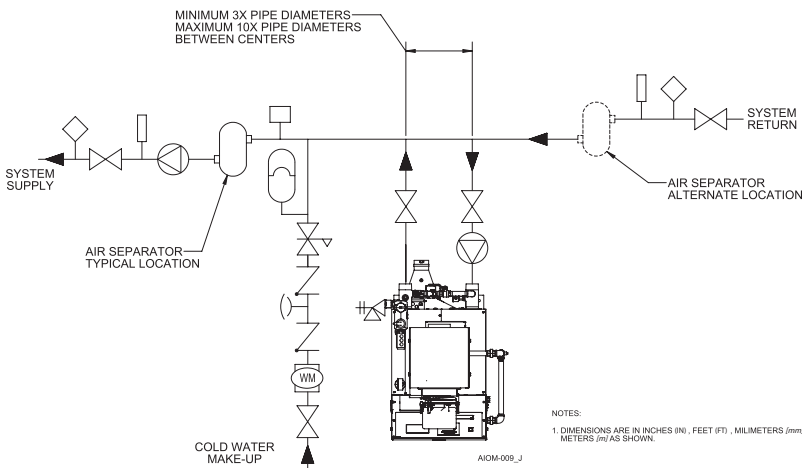


Tangential type air separator



Water Meter

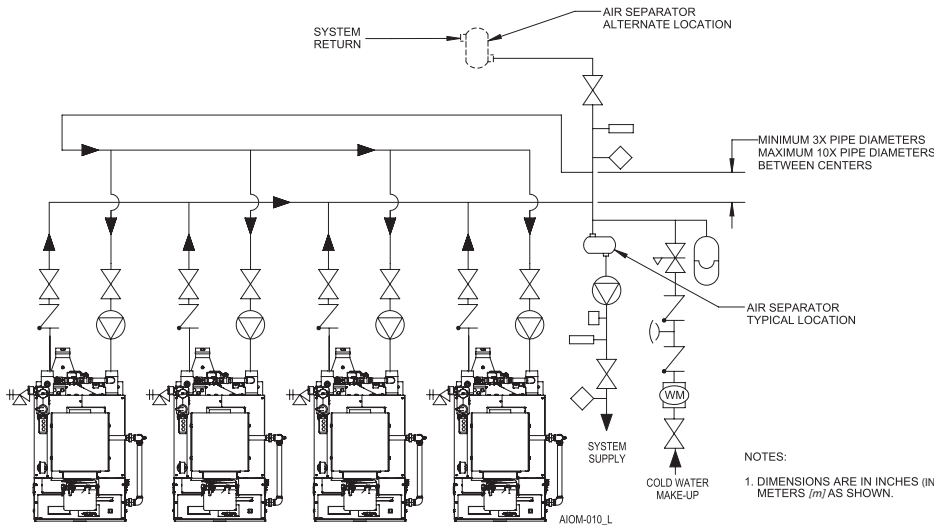
**Figure 12 - Typical Single Boiler Primary/Secondary Piping**



NOTES:  
1. DIMENSIONS ARE IN INCHES (IN), FEET (FT), MILLIMETERS (mm) OR METERS (m) AS SHOWN.

NOTE: Not all system valves may be shown. Consult local codes for additional system components which may be necessary. For HeatNet operation, a sensor is required and installed at a minimum of 12" from primary loop tee.

**Figure 13 - Typical Multiple Boiler Primary/Secondary Piping**



NOTES:  
1. DIMENSIONS ARE IN INCHES (IN), FEET (FT), MILLIMETERS (mm) OR METERS (m) AS SHOWN.

NOTE: Not all system valves may be shown. Consult local codes for additional system components which may be necessary. For HeatNet operation, a sensor is required and installed at a minimum of 12" from primary loop tee.

### DOMESTIC WATER SUPPLY PIPING

**CAUTION** Proper controls must be used to prevent water supplied for domestic use from exceeding **130°F, 54°C** or a scald injury will occur! When higher water temperatures are required for appliances such as a dishwasher, a mixing valve or some other tempering means must be installed. Households with small children may require water temperatures less than **120°F, 49°C**. Local codes must be complied with!

**NOTICE** The storage tank must be located as close to the boiler as possible to prevent excessive head loss which will reduce flow.

#### Expansion Tank

An expansion tank or other means to control thermal expansion must be installed in the water heating system if back flow prevention devices are installed.

Two typical water heating systems are shown in Figures 14 & 15.

#### General Piping Requirements

The KN boiler can be use in combination with an indirect tank to provide hot water for domestic use. Piping and components must be suitable for use with potable water. The indirect storage tank must be equipped with a temperature and pressure relief valve that complies with ANSI Z21.22 or CAN-4.4 and CAN-4.6.

#### Thermostatic Mixing Valve- Water Above 140°F, 60°C

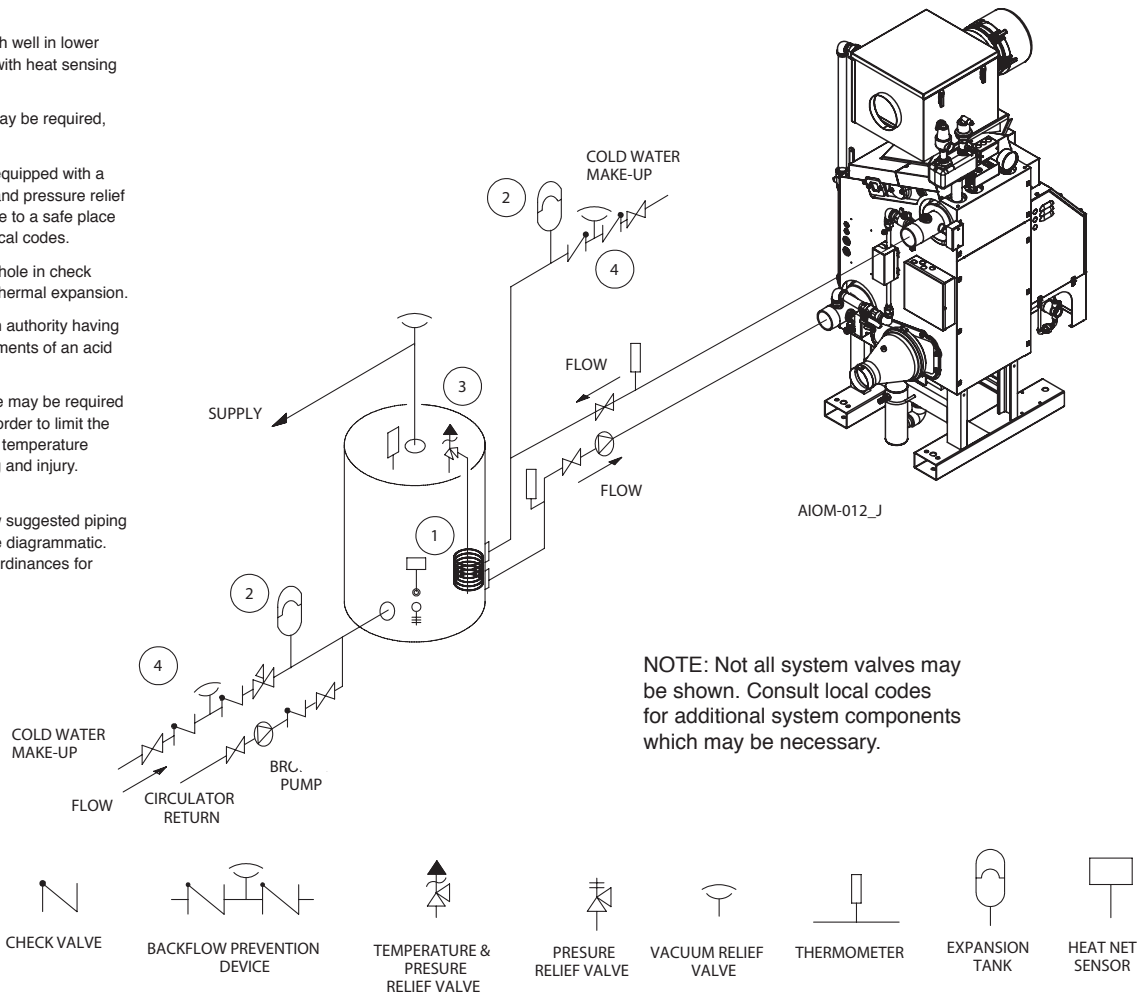
Water can be stored a temperatures above **140°F, 60°C** provided that a thermostatically controlled mixing valve is used to temper the hot water to an acceptable temperature before it's supplied for domestic use. The mixing valve **MUST** be set to prevent a scald injury from occurring, see the caution against scalding above. Storage of water for domestic use above **140°F, 60°C** will provide an increased quantity of tempered water and help prevent the growth of water born bacteria.

**Figure 14 - Typical Single Boiler with Indirect Storage Tank Piping**

**NOTES:**

1. Locate HeatNet sensor with well in lower 1/3 of tank. Install sensor with heat sensing compound.
2. Thermal expansion tank may be required, check local codes.
3. Hot water tank should be equipped with a combination temperature and pressure relief valve. Valve shall discharge to a safe place with an air gap. Refer to local codes.
4. MA Code requires an 1/8" hole in check valves to compensate for thermal expansion.
5. Contractor shall verify, with authority having jurisdiction, for the requirements of an acid neutralization kit.
6. A thermostatic mixing valve may be required at the outlet of the tank in order to limit the mixed water to a desirable temperature helping to prevent scalding and injury. Consult local codes.

Notice: These drawings show suggested piping configuration, valving and are diagrammatic. Check with local codes and ordinances for specific requirements.



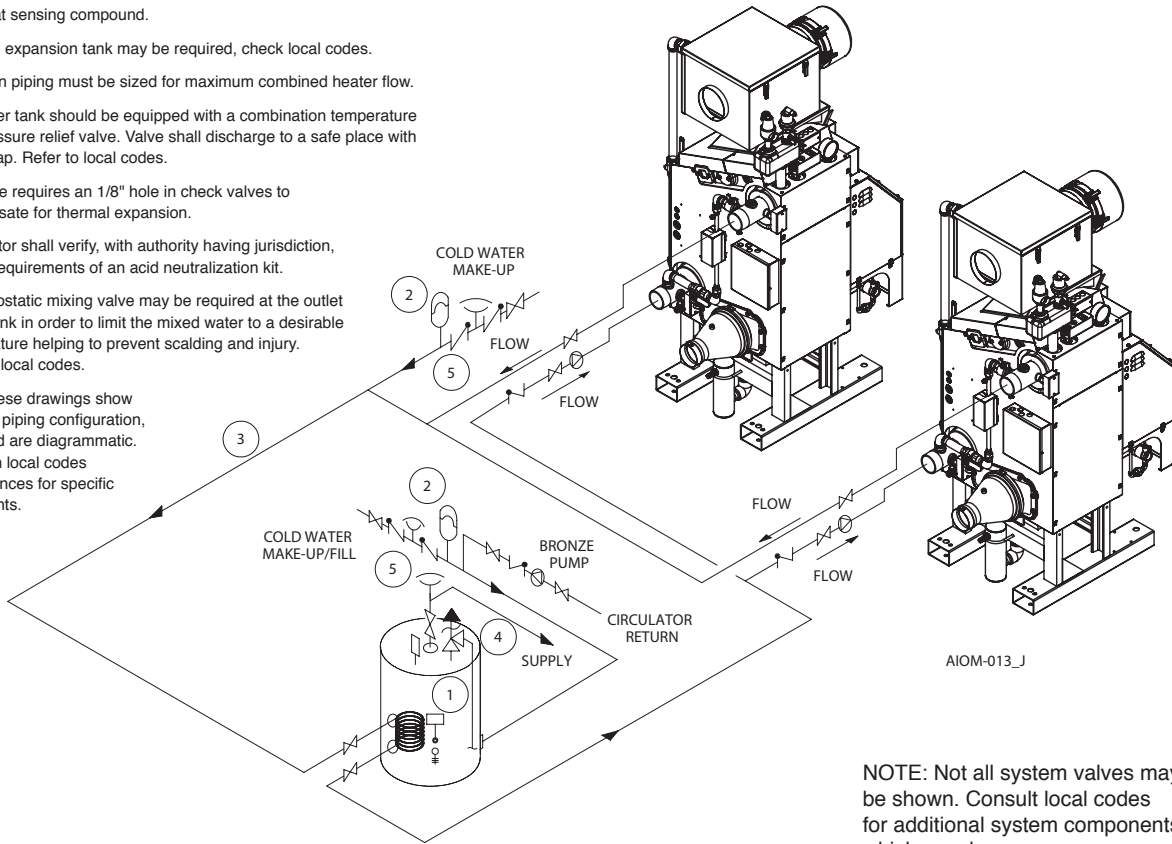


### Figure 15 - Typical Multiple Boiler with Indirect Storage Tank Piping

**NOTES:**

1. Locate HeatNet sensor with well in lower 1/3 of tank. Install sensor with heat sensing compound.
2. Thermal expansion tank may be required, check local codes.
3. Common piping must be sized for maximum combined heater flow.
4. Hot water tank should be equipped with a combination temperature and pressure relief valve. Valve shall discharge to a safe place with an air gap. Refer to local codes.
5. MA Code requires an 1/8" hole in check valves to compensate for thermal expansion.
6. Contractor shall verify, with authority having jurisdiction, for the requirements of an acid neutralization kit.
7. A thermostatic mixing valve may be required at the outlet of the tank in order to limit the mixed water to a desirable temperature helping to prevent scalding and injury. Consult local codes.

Notice: These drawings show suggested piping configuration, valving and are diagrammatic. Check with local codes and ordinances for specific requirements.



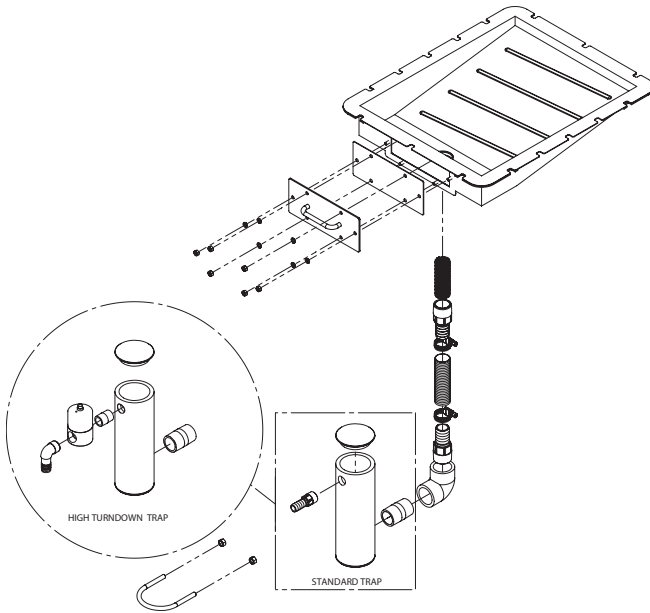
NOTE: Not all system valves may be shown. Consult local codes for additional system components which may be necessary.



## CONDENSATE PIPING

The condensate trap provided with the boiler must be attached to the bottom pan and piped to a suitable floor drain (consult local code) or condensate pump. If a condensate neutralization device is required by local code, it must be positioned prior to boiler room drain. Fill the condensate trap with water, check and maintain water level in trap during operation prior to start-up.

Figure 16 - KN-Series Condensate Drain



## GAS SUPPLY PIPING

**WARNING** Check the boiler rating plate to make sure that the boiler is for the type of gas that will be used. If it isn't, do not connect the boiler to the gas supply. Failure to comply with this warning can result in extensive property damage, severe personal injury or death!

The KN comes from the factory ready to be piped to the gas supply. If for any reason the boiler is not for the type of gas available at the installation site, call your Advanced Thermal Hydronics representative to resolve the problem.

Do not size the gas supply line nominal iron pipe size based only on the boiler gas inlet connection size. The gas supply line (feed) to the boiler gas inlet connection must be designed per an engineered method and utilizing (Table 8) to ensure that the gas supply piping is sized properly. Do not neglect the pressure drop due to pipe fittings. (Table 8) should be used in conjunction with (Table 9) to ensure that the gas supply piping has the capacity to meet the demand. If more than one appliance is supplied by the same supply pipe, the piping must be sized based on the maximum possible demand.

Figure 17 depicts the proper way to connect the boiler to the gas supply piping. The manual shut-off valve **MUST** be installed in the supply piping. It should be installed **5 ft, 1 m** above the floor where required by local codes. Provide a sediment trap at the bottom of the vertical section of the gas supply pipe upstream of the gas controls.

A ground joint union should be installed between the boiler gas controls and the supply piping. Each of these items are needed to ensure long life and ease of servicing. Always use a pipe sealant that is suitable for use with the type of gas (NG/LP) being used.

Table 8 - Gas Pipe Capacity

Maximum pipe capacity in ft <sup>3</sup> /hr based on 0.60 specific gravity gas at a pressure of 0.5 psig or less and a 0.3" WC pressure drop.									
Nominal Iron Pipe Size	Pipe length in feet								
	10	20	30	40	50	60	80	100	150
Maximum gas volume of pipe (ft <sup>3</sup> /hr)									
1"	520	350	285	245	215	195	170	150	120
1 1/4"	1050	730	590	500	440	400	350	305	250
1 1/2"	1600	1100	890	760	670	610	530	460	380
2"	3050	2100	1650	1450	1270	1150	990	870	710
2 1/2"	4800	3300	2700	2300	2000	1850	1600	1400	1130
3"	8500	5900	4700	4100	3600	3250	2800	2500	2000

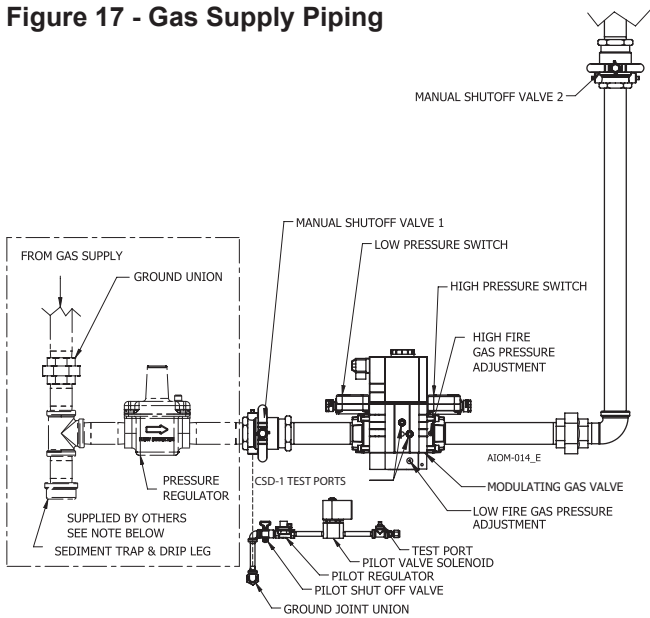
Note: Multiply the gas volume by 0.62 for propane flow capacity in ft<sup>3</sup>/hr. Multiply the propane flow capacity by 2500 Btu/ft<sup>3</sup> to determine the propane Btu/hr capacity for a given pipe size and length.

Table 9 - Equivalent Pipe Length Chart

Nominal Iron Pipe Size	Type of pipe fitting			
	90° Elbow	Tee <sup>1</sup>	Gas Valve <sup>2</sup>	Gas Cock <sup>2</sup>
	Equivalent pipe length, (ft)			
1"	2.6	5.2	0.6	1.5
1 1/4"	3.5	6.9	0.8	1.9
1 1/2"	4.0	8.0	0.9	2.3
2"	5.2	10.3	1.2	3.0

Notes: 1. For flow through branch.  
2. For flow at full open.

**Figure 17 - Gas Supply Piping**



**NOTICE** Corruption of the gas train components with debris and cutting oils can reduce reliable operation which can have a negative effect on the operation & manufacturers warranty of the Dungs gas valve. The factory supplied Dungs MBC modulation gas valve, see Figure 17, incorporates an internal filter that must be inspected and changed at required intervals. Reference the Dungs MBC Installation Instructions - 264541 for detailed instructions. Combined with clean gas pipes and good plumbing practices (such as installing a drip leg), should adequately protect the MBC valve seat, regulator and internal orifices from clogging or damage. However, site conditions might warrant an additional filter. This should be installed upstream of the appliance gas regulator to the unit.

**NOTICE** A lockup style regulator, supplied by others, must be installed, see Figure 17, if gas pressure exceeds (14 in WC). The regulator, when installed as shown, must be installed at a distance of at least 10 pipe diameters from the boiler main gas valve. All boilers are calibrated and factory test fired at (7 in ± 1.0) WC.

**NOTICE** A minimum of (3 in WC) and maximum of (14 in WC) must be maintained to the inlet of the boiler gas train not to exceed a maximum of (1 in WC) drop when firing from minimum input to full load of the gas supply line and all the appliances running.

**CAUTION** Always use a wrench on the gas valve body when making gas connections to it. Never over-tighten the piping entering the gas valve body or gas valve failure may result!

Safe lighting and other performance criteria were met with the gas manifold and control assembly provided on the boiler. All gas connections **MUST** be leak tested before putting the boiler into operation.

**WARNING** Never use an open flame to test for gas leaks. Always use an approved leak detection method. Failure to comply with this warning can cause extensive property damage, severe personal injury or death!

**CAUTION** Gas train must be isolated when purging the gas line prior to commissioning the boiler.

Whenever the gas supply piping is pressure tested the boiler gas controls must be protected. If the test pressure is equal to, or less than **1/2 psig, 3.5 kPa** isolate the boiler by closing its' manual shut off valve, see Figure 17. If the test pressure is greater than, or equal to **1/2 psig, 3.5 kPa**, disconnect the boiler and its individual shut-off valve.

## ELECTRICAL WIRING

### Electrical Power Connections

**CAUTION** Label all wires prior to disconnection when servicing controls. Wiring errors can cause improper and dangerous operation! Verify proper operation after servicing.

**ATTENTION.** Au moment de l'entretien des commandes, étiquetez tous les fils avant de les débrancher. Des erreurs de câblage peuvent entraîner un fonctionnement inadéquat et dangereux. S'assurer que l'appareil fonctionne adéquatement une fois l'entretien terminé.

The electrical connections to this boiler must be made in accordance with all applicable local codes and the latest revision of the National Electrical Code, ANSI / NFPA-70. Installation should also conform with CSA C22.1 Canadian Electrical Code Part I if installed in Canada. A separate circuit breaker must be installed per boiler (if required, the optional local pump FLA must be incorporated and sized accordingly). A properly rated shut-off switch should be located at the boiler. The boiler must be grounded in accordance with the authority having jurisdiction, or if none, the latest revision of the National Electrical Code, ANSI/NFPA-70.

Refer to point of connection diagram in back of this manual and the wiring diagram supplied with the boiler for proper wiring connections.

## BOILER OPERATION

**WARNING** Before proceeding read and fully understand the instructions contained in this manual. Do not attempt to operate this boiler if it has not been installed in accordance with the guidelines set forth in this manual. Failure to comply with this warning can result in extensive property damage, severe personal injury or death!

Should overheating occur or the gas supply fail to shut off, turn off the manual gas control valve to the appliance. **Do Not interrupt water flow through the boiler.**

En cas de surchauffe ou si l'alimentation en gaz ne s'arrête pas, fermez manuellement le robinet d'arrêt de l'admission de gaz.

### Hydronic Heating Boilers (Fill System)

Open the make-up water valve and slowly fill the boiler and all of the radiation with water. Ensure that all bleed and drain valves are closed.

Adjust the make-up water pressure regulator so a minimum **5 psig, 82.7 kPa** system pressure is maintained at the highest point in the system piping. A minimum system pressure of **20 psig, 138 kPa** must be maintained at boiler operating conditions. A minimum system pressure of **30 psig, 207 kPa** fill pressure is required, at boiler operating conditions, on glycol mixtures within a closed loop.

Open the system bleed and drain valves, one at a time, to purge the air trapped in the heating system piping.

With the boiler off, run the system pump for at least 30 minutes and bleed the system piping using the bleed valves. If strainers are used in the system piping the make-up water valve should be closed and the strainers checked and cleaned.

The system expansion tank should be checked to ensure that tank air pressure equals cold static fill pressure.

Start the boiler as described in the OPERATING INSTRUCTIONS below. Run the boiler for at least an hour. The system pump(s) and all radiation units must be operated during this time. Ensure that the make-up water valve is open.

Shut the boiler off and open the bleed valves to purge the air trapped in the heating system piping. Close the make-up water valve and check and clean the strainers and make-up water pressure reducing valve.

Open the make-up water valve and adjust the system pressure if necessary.

The system should be checked and bled after three days of operation.

## OPERATING INSTRUCTIONS

**FOR YOUR SAFETY READ BEFORE OPERATING. ONLY QUALIFIED LICENSED SERVICE TECHNICIANS SHALL START, TROUBLESHOOT, AND SERVICE THIS APPLIANCE WITH APPROVED COMBUSTION ANALYZER.**

**POUR VOTRE SÉCURITÉ LISEZ AVANT DE METTRE EN MARCHÉ**

A. This appliance is equipped with an ignition device which automatically lights the pilot. Do not try to light the pilot by hand.

Cet appareil est muni d'un dispositif d'allumage qui allume automatiquement la veilleuse. Ne tentez pas d'allumer la veilleuse manuellement.

B. BEFORE OPERATING smell all around the appliance area for gas. Be sure to smell next to the floor because some gas is heavier than air and will settle on the floor.

### WHAT TO DO IF YOU SMELL GAS

- Do not try to light any appliance.
- Do not touch any electric switch; do not use any phone in your building.
- Immediately call your gas supplier from a phone outside of the building. Follow the gas suppliers instructions.
- If you cannot reach your gas supplier, call the fire department.

AVANT DE FAIRE FONCTIONNER, reniflez tout autour de l'appareil pour déceler une odeur de gaz. Reniflez près du plancher, car certains gaz sont plus lourds que l'air et peuvent s'accumuler au niveau du sol.

### QUE FAIRE SI VOUS SENTEZ UNE ODEUR DE GAZ:

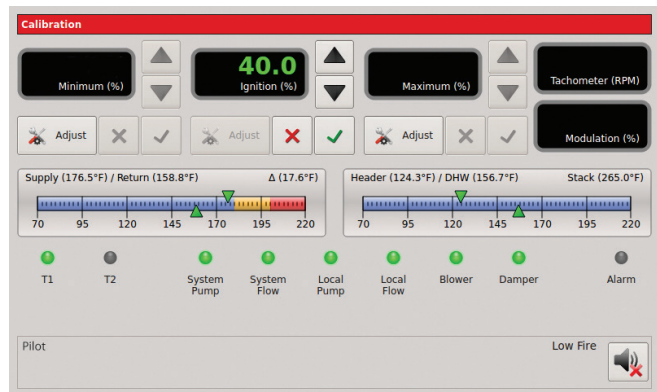
- Ne pas tenter d'allumer d'appareil.
  - Ne touchez à aucun interrupteur; ne pas vous servir des téléphones se trouvant dans le bâtiment.
  - Appelez immédiatement votre fournisseur de gaz depuis un voisin. Suives les instructions du fournisseur.
  - Si vous ne pouvez rejoindre le fournisseur, appelez le service de incendies.
- C. Do not use this appliance if any part has been under water. Immediately call a qualified service technician to inspect the appliance and to replace any part of the control system and any gas control that has been under water.

N'utilisez pas cet appareil s'il a été plongé dans l'eau, même partiellement. Faites inspecter l'appareil par un technicien qualifié et remplacez toute partie du système de contrôle et toute commande qui ont été plongés dans l'eau.

## Operating Instructions - (5:1) Startup Procedure. (Refer to page (31) for 10:1 Field Startup Instructions.)

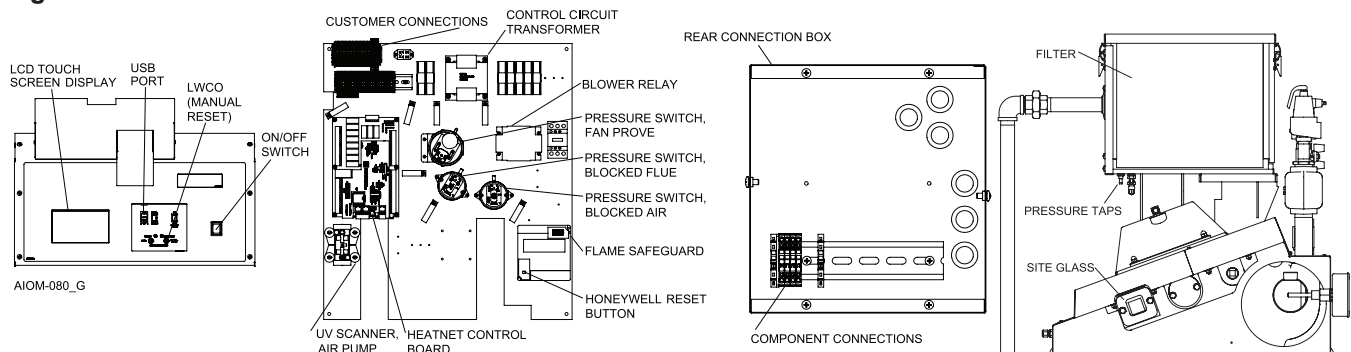
1. STOP! Read the safety information above. If, at any time, the appliance will not operate properly, follow the instructions "TO TURN OFF GAS TO APPLIANCE" and call your service technician or gas supplier.
2. Set the operating control to off and disable any outside (BMS) call for heat.
3. Turn off all electric power to the appliance.
4. Remove the front cover.
5. Close manual main shut-off valves 1 and 2 and the pilot gas shut-off valve, Figure 17.
6. Purge the gas piping up to the manual valve ahead of the main gas control of air. When the bleeding is complete, check all gas joints up to the gas valve for leaks.
7. Wait five (5) minutes to clear out any gas.
8. Install a fitting at the supply test port and connect a manometer having a minimum range of 20 in, 508 mm WC to it, Figure 17.
9. Remove the 1/8 in pipe plug from the pilot tee and connect a manometer having a minimum range of 6in, 154mm WC to it.
10. Open the manual main shut-off valves 1 and 2 and the pilot gas shut-off valve, Figure 17.
11. Place the "Remote/Local" switch to Remote.
12. Turn the power switch on the front of the boiler to "on". It will light up when the power is on. If all interlocks are properly closed, the display will say "Standby", Figure 18.
13. Slide the HeatNet controls low fire switch (on the HeatNet control board) to the low fire position.

14. The boiler will begin the start sequence.
15. When the main display reads "PILOT RUNNING" and the flame current is 5VDC, switch the Honey well 7800 to the "test" position, Figure 18. This will hold the Honeywell 7800 in its ignition state.
16. Adjust the pilot pressure per the CHECKING, ADJUSTMENT & OPERATION on page 41.
17. To adjust the IGNITION value as shown in the display, place the 'S2' Calibration switch located on the 3.0 Heat Net board to the 'CAL' position. A reload message will be displayed then the calibrate screen. Press the 'Adjust' button under the Ignition (%) setting. The value will turn green and the boiler will ramp to the ignition setting. Set the Blower speed, using the arrow keys, to provide the desired rate for ignition. When the adjustment is satisfactory, press the check key to save the setting. When complete place the 'S2' switch back to the 'NORM' position.



18. Remove the demand from the 7800 control by disabling the low fire switch allowing the boiler to stop.
19. Close manual main shut-off valve 2 and the pilot gas shut-off valve, Figure 17. Remove the manometer fitting from the pilot tee and replace the plug.

Figure 18 - Control Panel



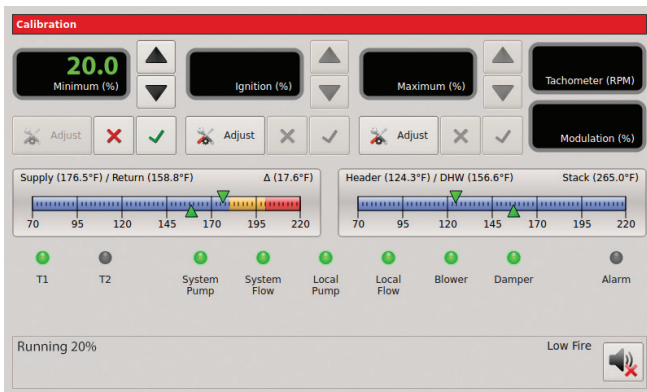
20. Switch the Honeywell 7800 back to "run".
21. Create a minimum input demand as before (enable low fire switch on the HeatNet board). The boiler will begin the start sequence.
22. Monitor the flame current on the 7800. No flame current should be detected and the 7800 should lock out. If flame current is detected at any time up to the 7800 locking out, the 120V wiring on the ignition transformer must be reversed and the test run again to insure that no flame is detected.

**WARNING** Warning Improper wiring of the ignition transformer can result in an explosion causing extensive property damage, severe personal injury or death!

23. Open both manual main shut-off valves and the pilot gas shut-off valve.
24. Reset the Honeywell 7800. The boiler will start and will run at minimum input rate.
25. Setting the Minimum and Low Fire Combustion values: The boiler will cycle and achieve low fire status. Allow low fire to settle out for a few minutes and observe the combustion reading.

**NOTE:** The Calibration Settings represent the mapped signal sent to the blower and doesn't reflect the (modulation %) as indicated on the Master/Member Screens.

- a. Place the 'S2' - Calibration switch located on the 3.0 HeatNet board to the 'CAL' position. A reloading message will be displayed and then the calibrate screen.

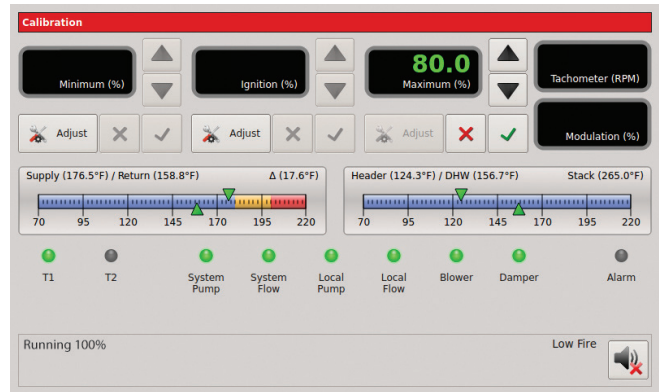


- b. Press the 'Adjust' button under the Minimum setting. The value will turn green. Adjust the Minimum value, using the arrow keys, to achieve the required combustion - CO<sub>2</sub>/O<sub>2</sub> -(Table 11), and pressure delta p - (Table 12), see pressure taps - (Figure 18 & 22), at low fire based on the desired turn down.

- c. Adjust low fire O<sub>2</sub>-C<sub>2</sub> by opening the low fire adjustment door located on the forward facing side of the main gas valve, (Figure 17). Inserting an allen wrench and rotating the allen screw clock-wise will increase the C<sub>2</sub> and lower the O<sub>2</sub>; rotating counter clock-wise will decrease the C<sub>2</sub> and increase the O<sub>2</sub>.
- d. When the adjustment is satisfactory, press the check key to save the setting.

26. Setting the Maximum Calibration and High Fire Combustion values:

- a. Verify the 'S2'- Calibration switch located on the 3.0 HeatNet board is in the 'CAL' position.

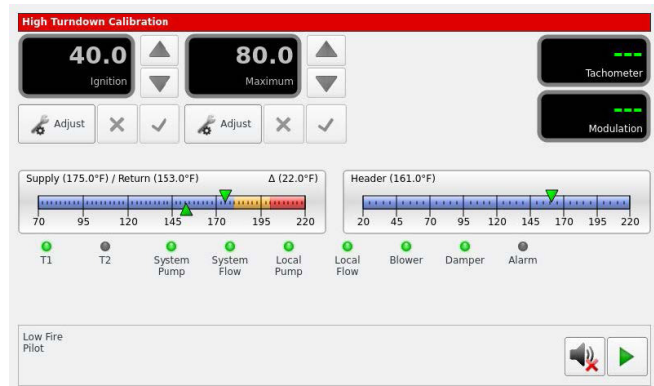


- b. Press the 'Adjust' button under the Maximum setting. The value will turn green indicating that it can be changed. Adjust the Maximum value, using the arrow keys, to achieve the required combustion CO<sub>2</sub>/O<sub>2</sub> (Table 11), and pressure-delta p, (Table 12), see pressure taps - (Figure 18 & 22).
- c. The high fire trim adjustment is located on the outlet flange, (Figure 17), of the gas valve.
- d. When the adjustment is satisfactory press the check key to save the setting. When complete, place the 'S2' switch back to the 'NORM' position.
- e. Allow the boiler to settle into min input and observe combustion readings to ensure the boiler is operating correctly. Make any required adjustments. When complete disable the low fire hold switch.
- f. Follow the instructions in the HeatNet Control manual to allow adjustments required for high altitude installations.

## Operating Instructions - (10:1) Startup Procedure. (Refer to page (29) for 5:1 Field Startup Instructions.)

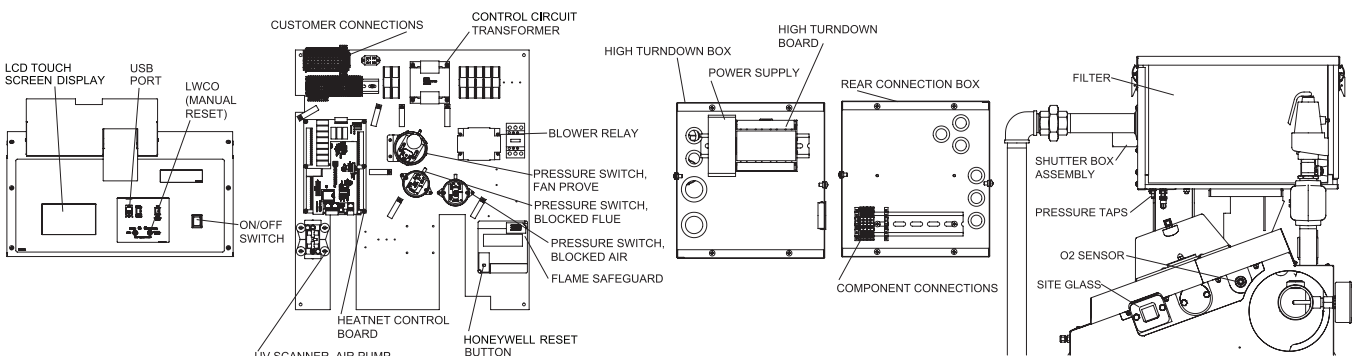
1. STOP! Read the safety information above. If, at any time, the appliance will not operate properly, follow the instructions "TO TURN OFF GAS TO APPLIANCE" and call your service technician or gas supplier.
2. Set the operating control to off and disable any outside (BMS) call for heat.
3. Turn off all electric power to the appliance.
4. Remove the front cover.
5. Close manual main shut-off valves 1 and 2 and the pilot gas shut-off valve, Figure 17.
6. Purge the gas piping up to the manual valve ahead of the main gas control of air. When the bleeding is complete, check all gas joints up to the gas valve for leaks.
7. Wait five (5) minutes to clear out any gas.
8. Install a fitting at the supply test port and connect a manometer having a minimum range of 20 in, 508 mm WC to it, Figure 17.
9. Remove the 1/8 in pipe plug from the pilot tee and connect a manometer having a minimum range of 6in, 154mm WC to it.
10. Open the manual main shut-off valves 1 and 2 and the pilot gas shut-off valve, Figure 17.
11. Place the "Remote/Local" switch to Remote.
12. Turn the power switch on the front of the boiler to "on". It will light up when the power is on. If all interlocks are properly closed, the display will say "Standby", Figure 18a.
13. Slide the HeatNet controls low fire switch (on the HeatNet control board) to the low fire position.

14. The boiler will begin the start sequence.
15. When the main display reads "PILOT RUNNING" and the flame current is 5VDC, switch the Honeywell 7800 to the "test" position, Figure 18a. This will hold the Honeywell 7800 in its ignition state.
16. Adjust the pilot pressure per the CHECKING, ADJUSTMENT & OPERATION on page 41.
17. To adjust the IGNITION value as shown in the display, place the 'S2' Calibration switch located on the 3.0 Heat Net board to the 'CAL' position. A reload message will be displayed then the calibrate screen. Press the 'Adjust' button under the Ignition setting. The value will turn green and the boiler will ramp to the ignition setting. Set the Blower speed, using the arrow keys, to provide the desired rate for ignition. When the adjustment is satisfactory, press the check key to save the setting. When complete place the 'S2' switch back to the 'NORM' position.




18. Remove the demand from the 7800 control by disabling the low fire switch allowing the boiler to stop.
19. Close manual main shut-off valve 2 and the pilot gas shut-off valve, Figure 17. Remove the manometer fitting from the pilot tee and replace the plug.

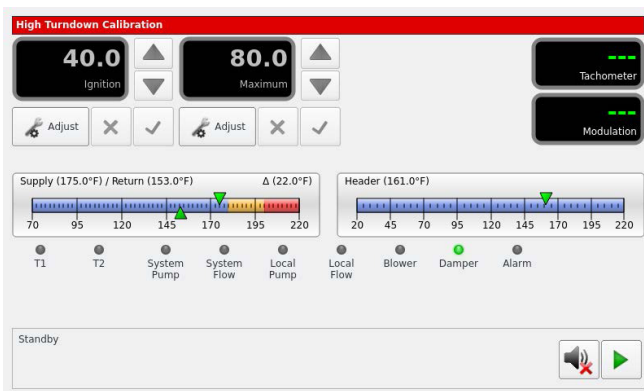
Figure 18a - Control Panel



20. Switch the Honeywell 7800 back to "run".
21. Create a minimum input demand as before (enable low fire switch on the HeatNet board). The boiler will begin the start sequence.
22. Monitor the flame current on the 7800. No flame current should be detected and the 7800 should lock out. If flame current is detected at any time up to the 7800 locking out, the 120V wiring on the ignition transformer must be reversed and the test run again to insure that no flame is detected.

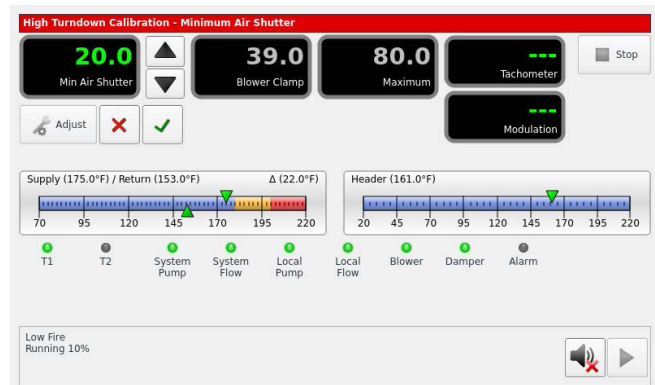
**WARNING** Warning Improper wiring of the ignition transformer can result in an explosion causing extensive property damage, severe personal injury or death!

23. Open both manual main shut-off valves and the pilot gas shut-off valve.
24. Remove the demand from the 7800 control by disabling the low fire switch allowing the boiler to stop. Reset the Honeywell 7800.
25. Preliminary Air Shutter and Low Fire Combustion settings:
  - a. Enter calibrate screen by placing the calibrate switch 'S2' in the 'CAL' position, then select the "Start Calibrate" button  on the bottom right hand side of the calibrate screen.



NOTE: The Calibration Settings represent the mapped signal sent to the blower and doesn't reflect the (modulation %) as indicated on the Master/Member Screens.

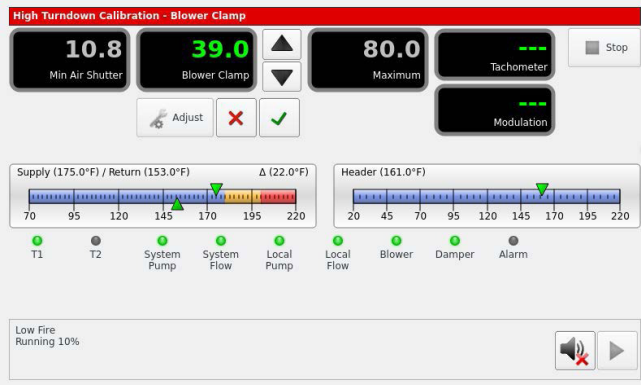
- b. Write down the Min Air Shutter Setting! This is a factory calculated setting. Press the 'Adjust' button under the Min Air Shutter setting. Using the arrows, bring Min Air Shutter to (20.0).
- c. Give the boiler a call for heat by enabling the low fire switch on the HeatNet control board to the low fire position. Switch the Honeywell 7800 flame safeguard control to the "TEST" position, Figure 18a. This will hold the Honeywell 7800 in the purge state.
- d. Take a measurement of the incoming air temperature and make note of the required low fire and high fire set point for both percent O<sub>2</sub> and CO<sub>2</sub>. This set point can be found in the IOM, (Table 11). This reading will be needed during low and high fire combustion tests going forward. The air temperature should be measured as close to the filter box as possible.
- e. Switch the Honeywell Flame Safeguard back to "RUN".
- f. Maintain the Min Air Shutter adjustment at 20.0 as the boiler lights and drops to low fire. In calibrate, when the burner is lit, the boiler will maintain 40% input for 20 seconds prior to dropping to low fire. Allow low fire to settle out for a few minutes.
- g. Begin slowly dropping to a Min Air Shutter setting that is 1 point greater than the factory set value, using the following routine. (Example: If the 'Min Air Shutter' factory setting is 9.8, stop decreasing input at 10.8.)
- h. Make a reduction in the Min air Shutter setting. Move in incrementally smaller steps while approaching the desired input to avoid overshoot in zero adjustment. Wait for combustion to stabilize. Confirm the CO<sub>2</sub> is between 7.0%-8.0%. Adjust the low fire CO<sub>2</sub>, if necessary, by opening the low fire adjustment door located on the forward side of the main gas valve, (Figure 17). A final low fire combustion adjustment will be done further into the startup procedure.
- i. When finished, select the green check mark. The boiler will operate in a low fire condition.





## 26. Setting the Blower Clamp:

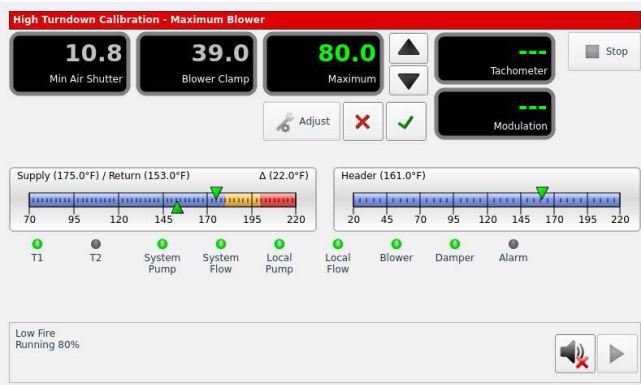
- Measure the differential pressure across the Air Shutter, (Figure 18a & 22), and adjust the Blower Clamp so that the drop is  $1.30 \pm 0,05$  in WC.
- Once the blower is set, select the green check mark.



## 27. Setting the Maximum and High Fire Combustion values:

- Verify the 'S2'- Calibration switch located on the 3.0 HeatNet board is in the 'CAL' position. Then select "Adjust" on the Maximum tab. The value will turn green indicating that an adjustment can be changed.
- Measure the signal pressure, (Figure 18a & 22).
- Adjust the Maximum value, if necessary, using the arrow keys so that the signal pressure (delta-p) matches what is listed in the IOM, (Table 12a). Wait for combustion to stabilize.

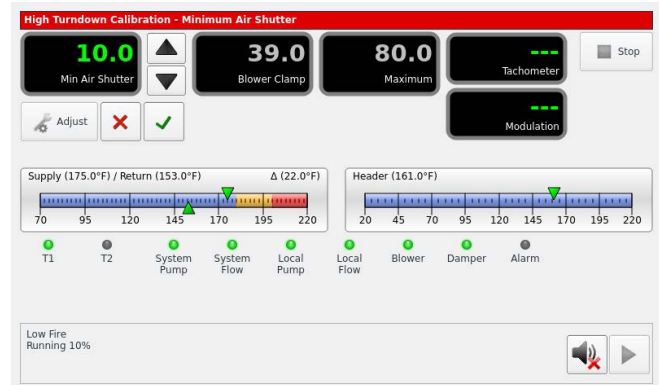
## 28. Check/adjust combustion. Make adjustments to the Dungs high fire trim shutter, if necessary, to maintain proper combustion per the required setpoint taken from (Step 25d). The high fire trim adjustment is located on the outlet flange, (Figure 17), of the gas valve.



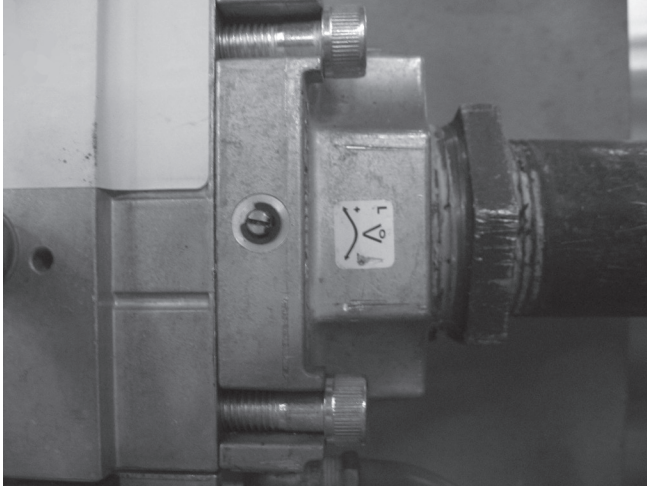
## 29. When the adjustment is satisfactory press the green check mark to save the setting. The boiler will return to low fire.

## 30. Setting the Min Air Shutter and Low Fire values:

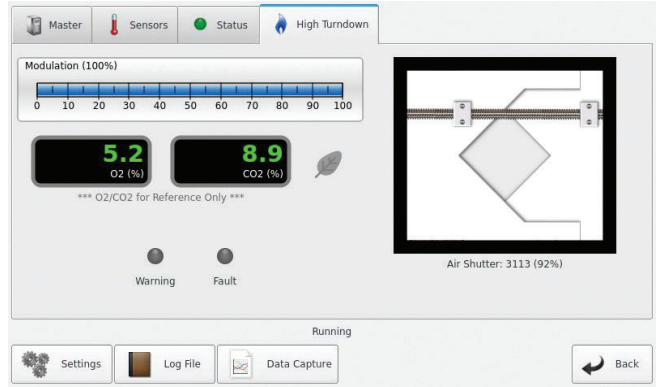
- Verify the 'S2'- Calibration switch located on the 3.0 HeatNet board is in the 'CAL' position. Then select "Adjust" on the Min Air Shutter tab. The value will turn green indicating that an adjustment can be changed.
- Wait for combustion to stabilize.
- Measure the signal pressure, (Figure 18a & 22)
- Adjust the Min Air Shutter value by 0.1 intervals, using the arrow keys, to achieve the required pressure delta p - (Table 12a), see pressure taps - (Figure 18a & 22).
- Measure flue gas CO<sub>2</sub> concentration. To achieve the required combustion - CO<sub>2</sub>/O<sub>2</sub> - (Table 11) adjust the low fire O<sub>2</sub>-CO<sub>2</sub> to the required set point recorded in (Step 25d). Access to this adjustment screw is accomplished by opening the low fire adjustment door located on the forward facing side of the main gas valve, (Figure 17).
- Repeat the above steps if necessary.



- When the adjustment is satisfactory press the check key to save the setting. When complete, place the 'S2' switch back to the 'NORM' position.
- Disable the low fire hold switch to allow the boiler to go into standby.
- Follow the instructions in the HeatNet Control manual to allow adjustments required for high altitude installations.



KN-6, 10, 16, 20, 26, 30, 40 High Fire CO<sub>2</sub> Adjustment Screw -  
 Clockwise = Increase  
 Counterclockwise = Decrease



The HeatNet High Turndown menu screen provides the following informational data:

- The Modulation graph indicates the boiler input percentage.
- The Air Shutter percentage indicates the shutter blade position at various operational cycle locations.
- The O<sub>2</sub>/CO<sub>2</sub> flue gas combustion values are for Reference Only - see O<sub>2</sub> Sensor location (Figure 18a). The O<sub>2</sub> Sensor calibration period may take up to 6 hrs of steady state operation - variations in readings may be observed. A calibrated flue gas analyzer must be used for final adjustment. Failure to verify combustion could result with improper conditions that could lead to personal injury, death, or property damage.
- The Warning/Fault indicators are relevant for factory trouble shooting. LED's will illuminate when a high turndown fault occurs. See the HeatNet (10:1) Supplement Control Manual for an explanation of each fault.

**Instructions De Mise En Marche**

1. ARRÊTEZ! Lisez les instructions de sécurité sur la portion supérieure de cette étiquette.
2. Réglez le thermostat à la température la plus basse.
3. Coupez l'alimentation électrique de l'appareil.
4. Cet appareil est muni d'un dispositif d'allumage qui allume automatiquement la veilleuse. Ne tentez pas d'allumer la veilleuse manuellement.
5. Fermer la vanne manuelle d'arrêt d'alimentation de gaz.
6. Attendre cinq (5) minutes pour laisser échapper tout le gaz. Reniflez tout autour de l'appareil, y compris près du plancher, pour déceler une odeur de gaz. Si vous sentez une odeur de gaz, ARRÊTEZ! Passez à l'étape B des instructions de sécurité sur la portion supérieure de cette étiquette. S'il n'y a pas d'odeur de gaz, passez à l'étape suivante.
7. Ouvrir la vanne manuelle d'arrêt d'alimentation de gaz.
8. Mettez l'appareil sous tension.
9. Réglez le thermostat à la température désirée.
10. Si l'appareil ne se met pas en marche, suivez les instructions intitulées couper l'admission de gaz de l'appareil et appelez un technicien qualifié ou le fournisseur de gaz.

**TO TURN OFF GAS TO APPLIANCE**

1. Set the operating control to its lowest setting.
2. Turn off all electric power to the boiler if service is to be performed.
3. Close the manual main and pilot gas shut-off valves.

**COMMENT COUPER L'ADMISSION DE GAZ DE L'APAREIL**

1. Réglez le thermostat à la température la plus basse.
2. Coupez l'alimentation électrique de l'appareil s'il faut procéder à l'entretien.
3. Fermer la vanne manuelle d'arrêt d'alimentation de gaz.

**SEQUENCE OF OPERATION****NO DEMAND****Standby**

1. The boiler is idle with no interlocks in the fault condition.

**DEMAND****Pre-Purge**

1. The blower operates at purge RPM. The water flow interlock must 'make' within 15 seconds after the demand signal is initiated.
2. The Honeywell 7800 starts a 10 second purge delay once the air prove switch contacts close.

**Pilot Run - %Input**

1. The blower operates at minimum ignition setting. See the calibration section in the "KN-Series Control-IOM" to enter the calibration menus.
2. The ignition transformer is energized. The pilot solenoid valve opens for the 10 second pilot ignition trial.

**Main Run %Input**

1. The main gas valve opens.
2. The ignition transformer is de-energized.
3. The pilot solenoid valve closes.
4. The blower stays at the minimum input setting for 3 seconds then operates at demand % input. See the calibration section in the "KN-Series Control-IOM" to enter the calibration menus.

**NO DEMAND****Post-Purge**

1. The main gas valve closes.
2. The blower operates at purge RPM for 10 seconds.
3. The boiler is idle with no interlocks in the fault condition.

**Table 11 - Combustion Settings**

KN-Series Whirlwind Bekaert Burner w/Gas Orifice Slide Trim**									
Inlet Air Temp.	CO <sub>2</sub> %						O <sub>2</sub> %		
	NG			LPG			Low Fire		High Fire
	10%	20%	High Fire	10%	20%	High Fire	10%	20%	High Fire
-40°F	6.5	7.2	8.8	7.5	8.4	10.3	9.4	8.3	5.1
-30°F	6.6	7.3	8.9	7.6	8.5	10.5	9.2	8.1	5.0
-20°F	6.7	7.4	9.0	7.7	8.7	10.6	9.0	7.9	4.8
-10°F	6.8	7.5	9.1	7.8	8.8	10.7	8.9	7.8	4.6
0°F	6.9	7.6	9.2	7.9	8.9	10.8	8.7	7.6	4.4
10°F	7.0	7.7	9.3	8.0	9.0	10.9	8.5	7.4	4.2
20°F	7.1	7.8	9.4	8.1	9.2	11.0	8.3	7.2	4.0
30°F	7.2	7.9	9.5	8.2	9.3	11.1	8.2	7.1	3.9
40°F	7.3	8.0	9.6	8.3	9.4	11.2	8.1	6.9	3.8
50°F	7.4	8.1	9.7	8.4	9.5	11.3	7.9	6.7	3.7
60°F	7.5	8.2	9.8	8.5	9.6	11.4	7.8	6.5	3.5
70°F	7.6	8.3	9.9	8.7	9.7	11.5	7.6	6.4	3.3
80°F	7.7	8.4	10.0	8.8	9.8	11.6	7.4	6.2	3.1
90°F	7.8	8.5	10.1	8.9	9.9	11.7	7.2	6.1	3.0
100°F	7.9	8.6	10.2	9.0	10.1	11.8	7.1	5.9	2.9

\*\*Located on outlet flange of gas valve. (Figure 17)

Due to job conditions, deviation from specified may be required – allow ± (0.2)% range adjustment.

Note: When units are installed with direct sealed combustion air, during periods of time with low outdoor temperature, it is possible for the room air to condense and possibly form frost on the air handling components of the boiler. Refer to (2015 ASHRAE Cold-Climate Buildings Design Guide)

**Table 12 - Pressure Signal (P) - (Nat. Gas) Standard 5:1 Turndown Option**

Firing Rate	KN-6	KN-10	KN-16	KN-20	KN-26	KN-30	KN-40
	(Delta P) in WC	(Delta P) in WC	(Delta P) in WC	(Delta P) in WC	(Delta P) in WC	(Delta P) in WC	(Delta P) in WC
100%	7.50	7.00	12.00	10.50	10.00	8.00	8.80
33%	0.90	0.85	1.45	1.30	1.25	0.95	1.15
25%	0.65	0.60	1.00	0.90	0.85	0.70	0.75
20%	0.40	0.40	0.50	0.50	0.45	0.45	0.45

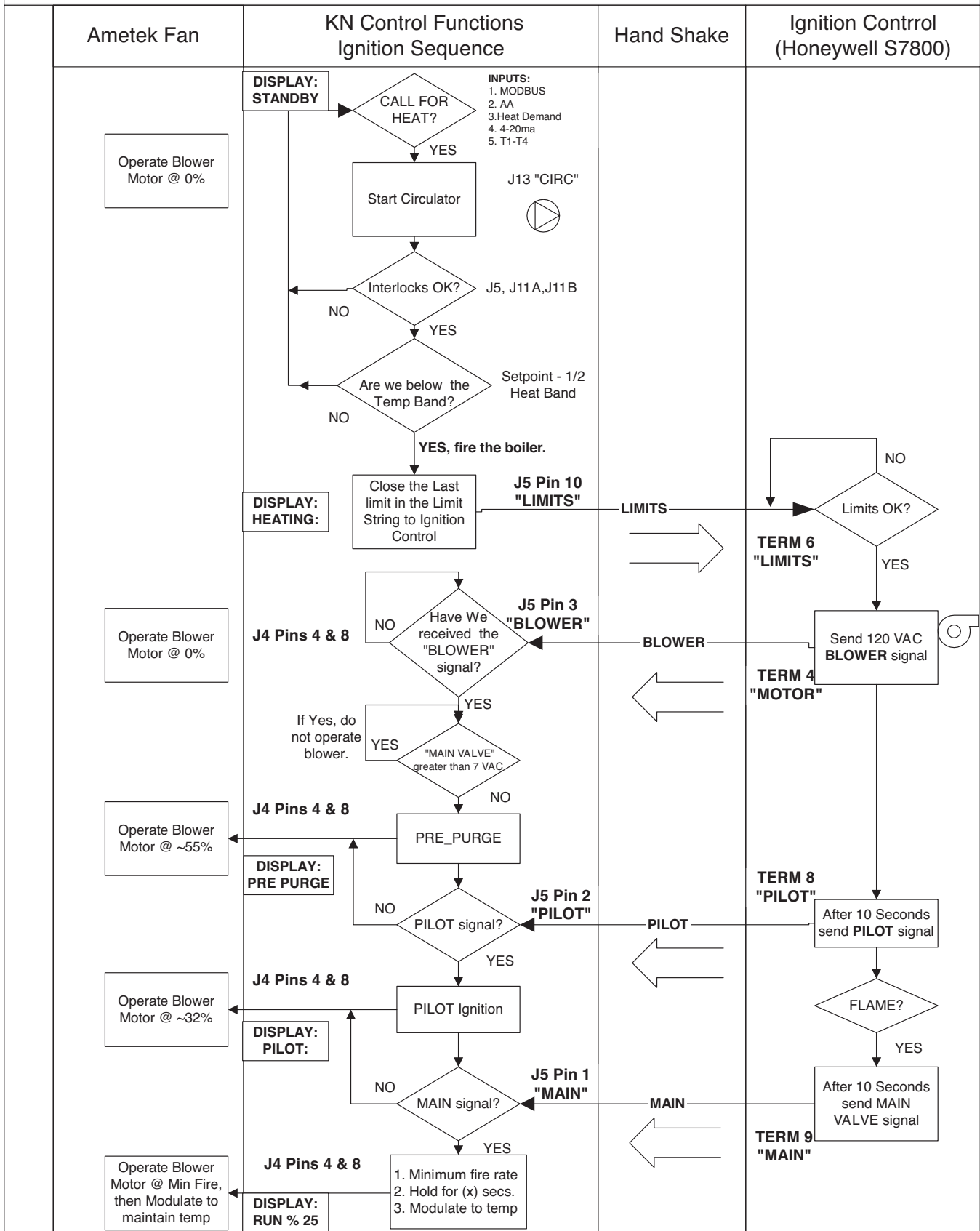
To determine signal in mm WC, multiply signal pressure by 25.4 - (See Factory Startup sticker for LP and Dual Fuel).

**Table 12a - Pressure Signal (P) (NG/LP) with High Turndown Option**

Firing Rate	KN-6		KN-10		KN-16		KN-20		KN-26		KN-30		KN-40	
	(Delta P) in WC		(Delta P) in WC		(Delta P) in WC		(Delta P) in WC		(Delta P) in WC		(Delta P) in WC		(Delta P) in WC	
Fuel	NG	LP	NG	LP	NG	LP	NG	LP	NG	LP	NG	LP	NG	LP
100%	7.30	9.25	10.40	11.60	11.80	18.20	12.00	13.50	12.80	16.10	11.50	17.40	8.40	11.6
33%	0.80	1.00	1.20	1.35	1.30	1.90	1.30	1.80	1.50	1.85	1.20	2.00	1.00	1.25
25%	0.60	0.60	0.85	0.95	0.90	1.30	0.90	1.25	1.00	1.35	0.90	1.50	0.75	0.95
20%	0.35	0.30	0.50	0.53	0.50	0.75	0.55	0.75	0.55	0.80	0.60	0.90	0.45	0.55
15%	0.25	0.25	0.30	0.40	0.35	0.50	0.40	0.50	0.40	0.55	0.40	0.60	0.30	0.35
10%	0.10	0.10	0.14	0.15	0.20	0.30	0.25	0.30	0.25	0.30	0.20	0.30	0.16	0.20

To determine signal in mm WC, multiply signal pressure by 25.4 - (See Factory Startup sticker for Dual Fuel).

## KN-Series "HeatNet Control" Troubleshooting (Firing the KN Boiler)

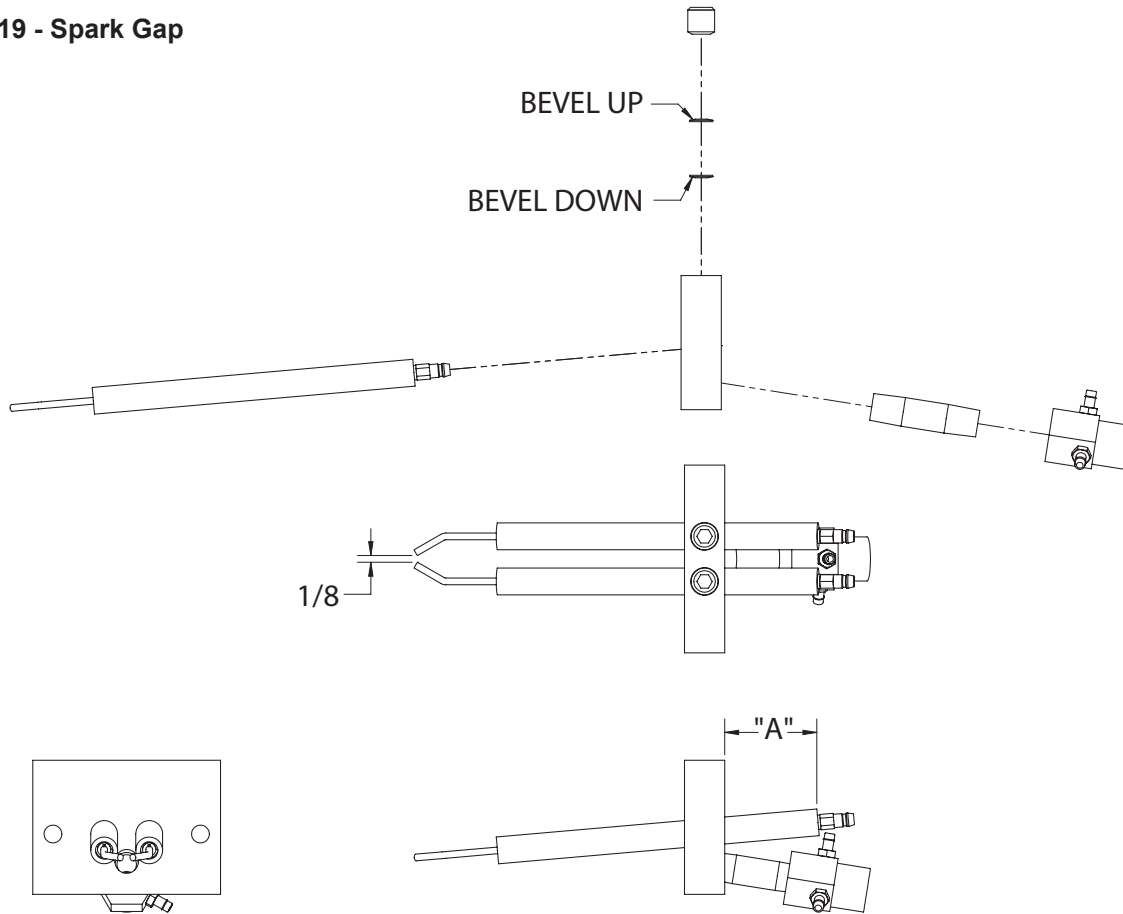


## CHECKING, ADJUSTMENT & OPERATION

### Spark Gap

The gap has to be measured and adjusted with the igniter removed from the boiler. Observe the trial for ignition to confirm that the spark is strong and continuous. If not, allow the electrodes to cool. Check and adjust the spark gap as shown in Figure 19. Electrode tips should face slightly downward.

Figure 19 - Spark Gap



AIOM-016\_C

### Pilot Adjustment

To check the pilot pressure close the manual main shut-off valve and the pilot gas shut-off valve, (Figure 17). Remove the 1/8 in pipe plug from the pilot test port (located as shown in (Figure 17) or on newer models as shown in (Figure 20) and connect a manometer having a minimum range of **6 in, 154 mm WC** to it. Open the pilot gas shut-off valve. With the unit powered generate a call for heat. When the prepurge is complete the ignition/pilot trial will begin. At this point put the Honeywell 7895C test switch in the test position. The control will hold in the ignition/pilot sequence allowing you to check the pressure. Verify the pilot pressure has been set within a range of (2.5 in.- 3.5 in WC) at test port location (Figure 17); if applicable - (2.0 in.-3.0 in WC) at test port location (Figure 20).

Table 13

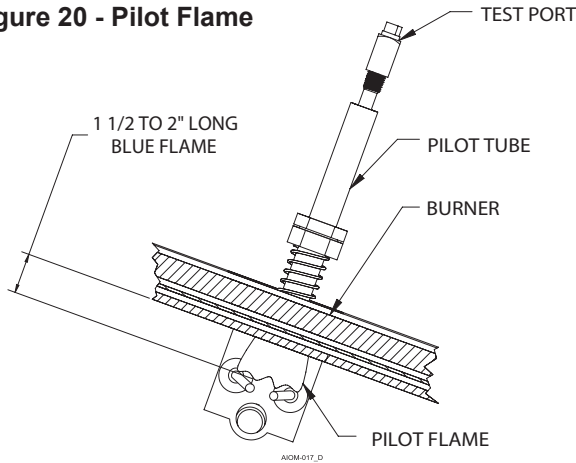
Recommended Electrode Insertion Depth, ± 1/4"	
Model	DIM "A"
KN-40	1 1/2"
KN-30	1 1/2"
KN-26	1 1/2"
KN-20	1 1/2"
KN-16	1 3/4"
KN-10	2 1/4"
KN-6	2 1/4"

**To adjust the pilot the following steps must be taken:**

1. Remove the pilot gas pressure regulator cap.
2. Turn the pressure regulator adjustment screw clockwise to increase the pressure and counterclockwise to decrease it.
3. Replace the pressure regulator adjustment screw cap.

**CAUTION** Never force the regulator adjustment screw beyond the stop limits or damage to the regulator will occur!

**Figure 20 - Pilot Flame**



### Pilot flame UV signal

Before you check the pilot signal you need to make sure the polarity of the 120v supply to the ignition transformer is correct. To do this close the manual main shut-off valve 2 (Figure 17) and the manual pilot shut-off valve. With the unit powered generate a call for heat. The boiler will start to go through its start up sequence. During the ignition/pilot sequence observe the lights on the Honeywell 7895C. The pilot light should come on but not the flame light. If the flame light comes on along with the pilot light, interrupt the call for heat and turn off the main power. Reverse the 120v supply leads to the Honeywell 652B ignition transformer and run this test again. With this done the flame signal should be between 3vdc and 5vdc. Check the voltage on the test connections of the Honeywell 7895C's amplifier with a dc voltmeter.

### Ignition Safety

To test the ignition safety shutoff device, close the manual shutoff valve 1 (Figure 17) in the gas supply line. Within 5 seconds of main burner flame extinction, the main gas valve solenoid should close. The control board will lockout and display "LOW GAS PRESSURE". Open the manual shutoff valve in the gas supply line and reset the control board by toggling the power switch.

To confirm the input of the unit follow the instructions in the INPUT RATE section below.

### Input Rate, Natural Gas

1. Turn off all other gas appliances that use the same gas meter as the boiler.
2. Call your gas supplier and ask for the heating value of the gas (Btu per cu/ft).
3. Start the boiler and let it run for 15 minutes.
4. With the boiler operation clock the time that it takes to burn 10 cu/ft of gas at full fire.
5. Insert the heating value and the time, in seconds, into the formula below.

6. Input = 10 / seconds (Btu per cu/ft)(3600).

7. If the computed rate exceeds the desired input follow section "operating instructions" to make the appropriate adjustments.

**CAUTION** Never increase the input to the boiler above that for which it is rated. Doing so can cause premature failure of the boiler!

### Low Water Cutoff

Ensure that the low water cutoff device(s) function properly.

Test in accordance with the manufacturer's instructions included with the device(s).

## DIAGNOSTICS

The KN has a display that indicates the sequence of operation, Figure 18. The display will also list faults should the unit fail to operate. An explanation of each fault is listed below.

**STANDBY KN:** Indicates that power is being supplied to the unit and there is no call for heat.

**STANDBY OPERATING LIMIT:** Indicates that the operating limit if used is open.

**HONEYWELL ALARM "flashing":** Indicates that there is a call for heat and the Honeywell 7895C is locked out.

**STANDBY START DEMAND:** Indicates that there is a call for heat and the Honeywell 7895C is not functioning or is locked out.

**STANDBY WATER LIMIT:** Indicates that either the high limit, low water cut off, or both are open without a call for heat.

**LOCKOUT WATER LIMIT:** Indicates that either the high limit, low water cut off, or both are open with a call for heat.

**STANDBY GAS PRESSURE:** Indicates that the low gas pressure switch or the high gas pressure switch if used is open without a call for heat.

**LOCKOUT GAS PRESSURE:** Indicates that the low gas pressure switch or the high gas pressure switch if used is open with a call for heat.

**WAITING FOR FLOW:** Indicates that minimum flow hasn't been achieved.

**FAULT INSUFFICIENT FLOW:** Indicates that inadequate flow is present.

**LWCO LOCKOUT:** Indicates low or no water in the boiler.

## MAINTENANCE

**WARNING** Disconnect electrical power and close the manual gas shut off valve before performing maintenance or severe personal injury may result!

**CAUTION** Servicing, inspection and adjustment must be done by a trained technician in accordance with all applicable local and national codes. Improper servicing or adjustment can damage the boiler!

The boiler must be inspected at least once a year and before each heating season. Make sure that combustion readings and air box pressures are taken on each boiler and match the desired emissions outlined under the specification in the Installation Manual – adjust as necessary. Accessing the burner compartment isn't necessary during normal maintenance unless combustion values or air box pressures don't meet specification. The condensate pan must be inspected and cleaned as required.

**CAUTION** Improper burner servicing can result in premature burner failure voiding the warranty!

### Burner Removal & Inspection

**WARNING** Wear a tightly fitted dust mask when servicing the burner and gently handle the burner and its gasket to prevent inhalation of airborne fibers.

**NOTICE** Do not attempt to remove the burner without having a burner gasket kit on hand.

### Heat Exchanger Cleaning

In the unlikely event that the heat exchanger becomes blocked consult the factory for the proper cleaning procedure.

### Air Intake & Vent System

Thoroughly inspect the air intake and vent systems for any signs of blockage, corrosion or leakage and periodically clean screen in the vent terminal (where applicable). Immediately replace any unsound vent system piping. Inspect the air filter and replace when required.

### Condensate Pan Cleaning

Remove the (6) bolt - base pan door from the front of the boiler. Using a hose, flush out any residual material in the base pan through the condensate drain opening. Re-install the base door with a replacement gasket (if required). Flush the drain trap and refill with 50% water/glycol mix to prevent evaporation in the trap.

### Controls

Use the BOILER OPERATION and CHECKING AND ADJUSTMENT sections of this manual for reference.

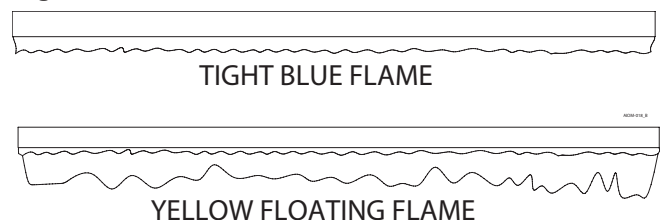
1. Check the operating controls for proper operation.
2. The probe on a probe low water cut off must be removed, cleaned and inspected at least once a year. Ensure that the low water cutoffs operate properly. If not, replace them.
3. The flow sensor isolation valves must be open in order for proper flow.

**NOTICE** In the unlikely event that the SIKA flow sensor requires cleaning, in order to flush the flow sensor, close the ball valve installed upstream of the flow sensor, connect a hose to the drain fitting provided and open the drain valve. Drain approximately a gallon of water to properly flush the flow sensor. The drain is then closed and the upstream valve re-opened.

4. The relief valve should not weep or discharge water at normal system pressure - this may be due to thermal expansion in a closed water supply system. If it does contact a qualified service technician to have it inspected. **NEVER** try to clean or repair the relief valve! If the valve fails to operate properly, have it replaced!
5. The aquastat high limit controls the maximum water temperature in the boiler. It is adjustable from **100°F, 38°C** to **240°F, 115°C**. If the water temperature reaches the set temperature before the demand for heat has been met, the aquastat high limit should shut the boiler off. The water temperature should never exceed the maximum set point of **240°F, 115°C**. The aquastat high limit cannot be repaired. If it fails to function properly replace it.
6. Visually check the pilot and main burner flames to ensure proper operation, see Figures 20 & 21.

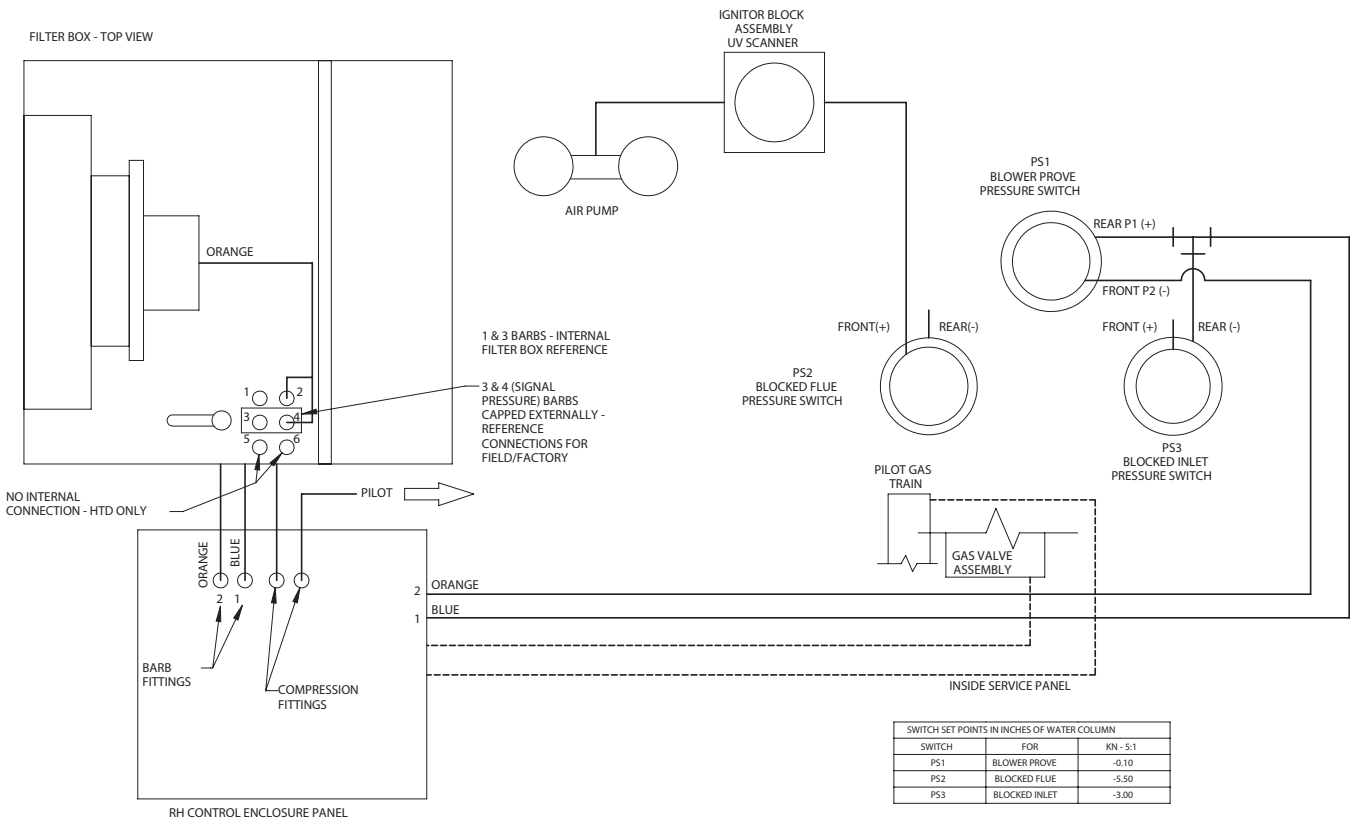
**WARNING** Visual flame appearance with proper combustion will have a red and blue striped appearance at low fire and flecked areas of red with a majority of blue across the metal mesh burner at high fire. Areas of deep red indicate an infrared condition requiring a combustion adjustment to reduce CO<sub>2</sub> levels.

Figure 21 - Main Burner Flame





**Figure 22 - KN-6, 10, 16, 20, 26, 30 and 40 Pressure Switches**



**KN-6, 10, 16, 20, 26, 30 and 40 Pressure Switches (10:1)**

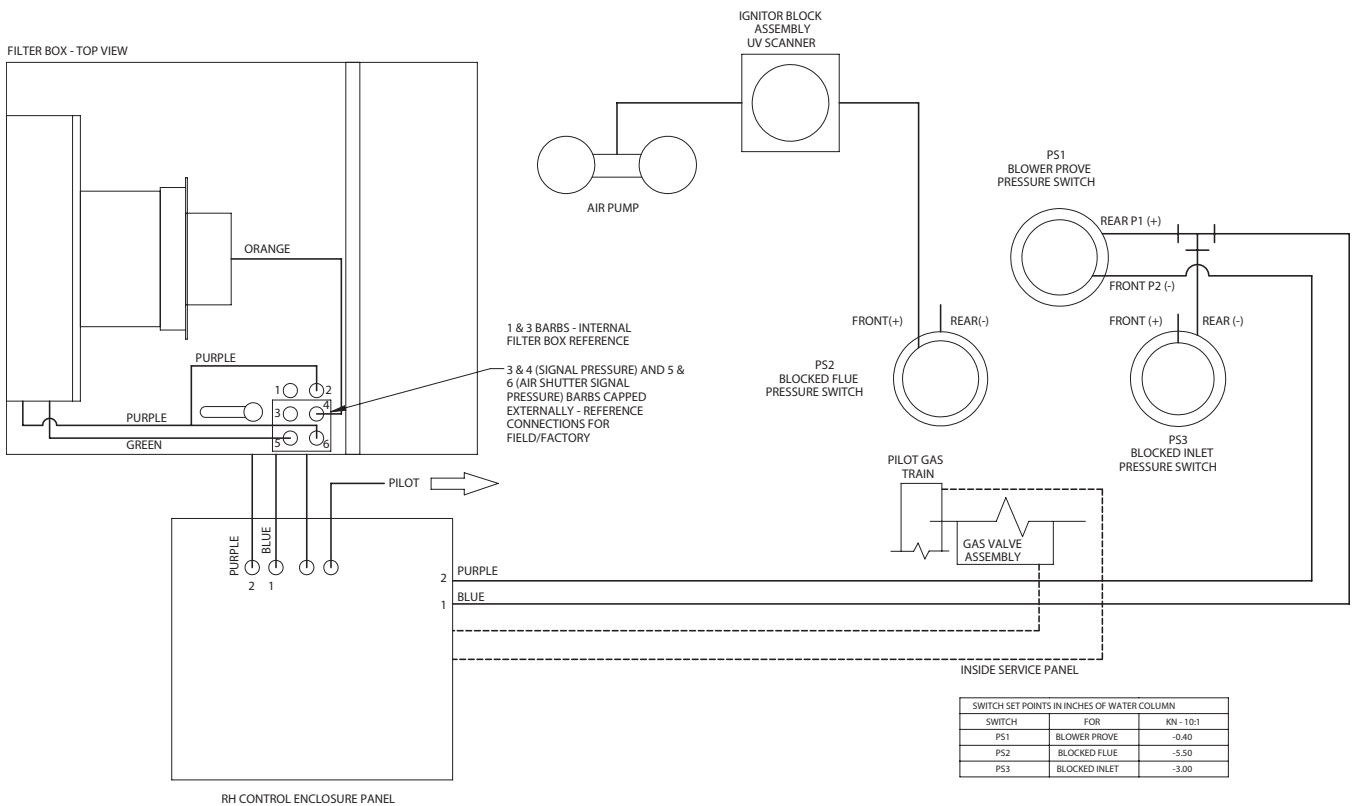
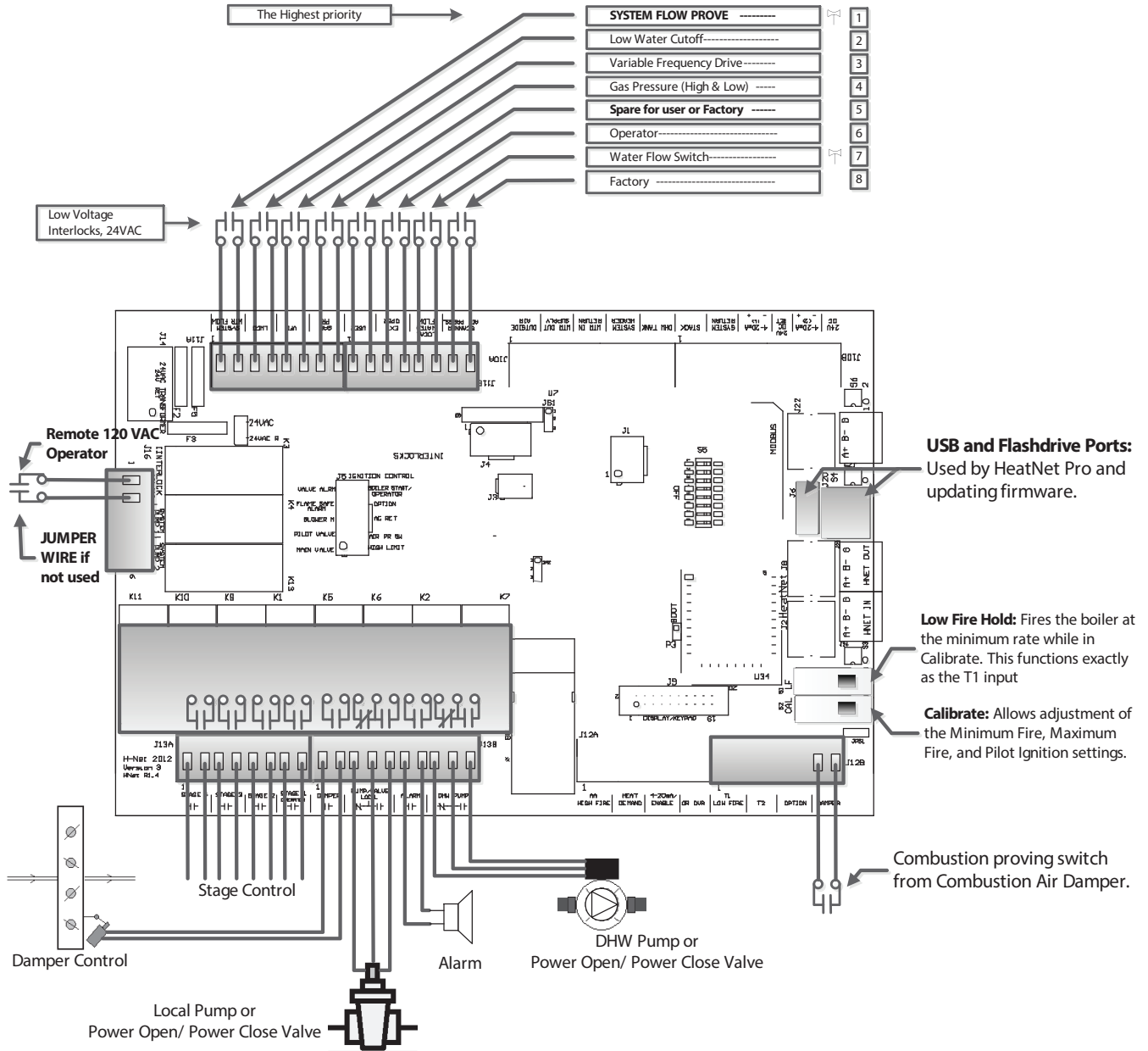


Figure 23 - KN-6, KN-10, KN-16, KN-20, KN-26, KN-30 and KN-40 Relays, Interlocks and Boiler Status



# START-UP REPORT

<b>DATE:</b>	<b>JOB NAME:</b>
<b>TECHNICIAN:</b>	<b>LOCATION:</b>
<b>COMPANY:</b>	<b>MODEL:</b>
<b>PHONE NUMBER:</b>	<b>SERIAL #:</b>

## PRE-STARTUP CHECK LIST

- |  |  |
|--|--|
| <input type="checkbox"/> NO VISIBLE DAMAGE TO UNIT | <input type="checkbox"/> INLET AIR FILTER INSTALLED AND CLEAN              |
| <input type="checkbox"/> PIPING PROPERLY CONNECTED | <input type="checkbox"/> PROPER SERVICE CLEARANCES PROVIDED                |
| <input type="checkbox"/> BOILER CIRCULATOR WIRED   | <input type="checkbox"/> PUMP RUNNING, HEAT EXCHANGER FULL                 |
| <input type="checkbox"/> VENT/STACK CONNECTED      | <input type="checkbox"/> GAS LINES PURGED, NO LEAKS, NO MISSING TEST PLUGS |

## BOILER START UP SEQUENCE

**Note: Locate the S2 Calibration Switch and low fire hold switch in the bottom-right of the electrical panel on the main HeatNet board. Also locate the manometer test ports at the bottom of the filter box.**

1. Perform pre-start up checks and set up: (follow section "Operating Instructions"; Steps 1-10).
2. Disable any external call for heat and toggle the remote/local switch to REMOTE (follow section "Operating Instructions"- selected turndown procedure).
3. Ignition and pilot adjustment: Toggle the LOW FIRE switch to cycle the boiler then hold at trial for pilot ignition (follow section "Operating Instructions"- selected turndown procedure).
4. Set pilot pressure (follow section "Checking, Adjustment & Operation") (flame signal should read 5.0 VDC).
5. Set low and high fire combustion values; (follow section "Operating Instructions"- selected turndown procedure).
6. Record low and high fire combustion values (page 2 of Start-up Report).
7. Check all combustion results using a calibrated flue gas analyzer.
8. Release the LOW FIRE switch to place boiler in standby.

**NOTICE**

In addition to completing the KN-Series start-up report, complete the control set-up information in the rear of the HeatNet manual.

COMBUSTION ANALYSIS	MINIMUM FIRING RATE	100% FIRING RATE
GAS INLET PRESSURE (WC)	INCHES WC	INCHES WC
CO <sub>2</sub>	%	%
O <sub>2</sub>	%	%
CO (PPM)	PPM	PPM
NET STACK TEMPERATURE	°F	°F
SIGNAL PRESSURE (DELTA P - WC)	INCHES WC	INCHES WC
AIR SHUTTER (DELTA P - WC) (10:1)	INCHES WC	N/A
MIN AIR SHUTTER CALIBRATION (10:1)	%	N/A
BLOWER CLAMP CALIBRATION (10:1)	%	N/A
MINIMUM CALIBRATION (5:1)	%	N/A
MAXIMUM CALIBRATION	N/A	%
TACHOMETER	RPM	RPM

### SAFETY TEST CHECKLIST

- FLOW SWITCHES (By Others)     
  AIR SWITCH     
  FLAME SAFEGUARD  
 LOW WATER CUT-OFF     
  HIGH LIMITS

### COMMISSIONING THE BOILER

<input type="checkbox"/> UNIT CYCLED MINIMUM OF 15 TIMES <input type="checkbox"/> CUSTOMER INSTRUCTED <input type="checkbox"/> ALL COVERS REPLACED <input type="checkbox"/> CUSTOMER GIVEN MANUAL <input type="checkbox"/> TARGET TEMPERATURE SET PER CUSTOMER  COMMISSIONED BY: _____ <div style="text-align: right;">(SIGNATURE)</div>  DATE: _____	<p>THE DELTA T BETWEEN THE HEATER INLET AND OUTLET IS CRITICAL TO PROPER FLOW. BEFORE YOU LEAVE THE JOB-SITE, YOU MUST RECORD THE DELTA T. THIS READING SHOULD NOT EXCEED 100°F, 55°C, NOR BE LOWER THAN 20°F, 11.1°C.</p> <p style="text-align: right;">DELTA T = <input style="width: 100px; height: 20px;" type="text"/></p>
--	---

### ADDITIONAL NOTES AND COMMENTS

---

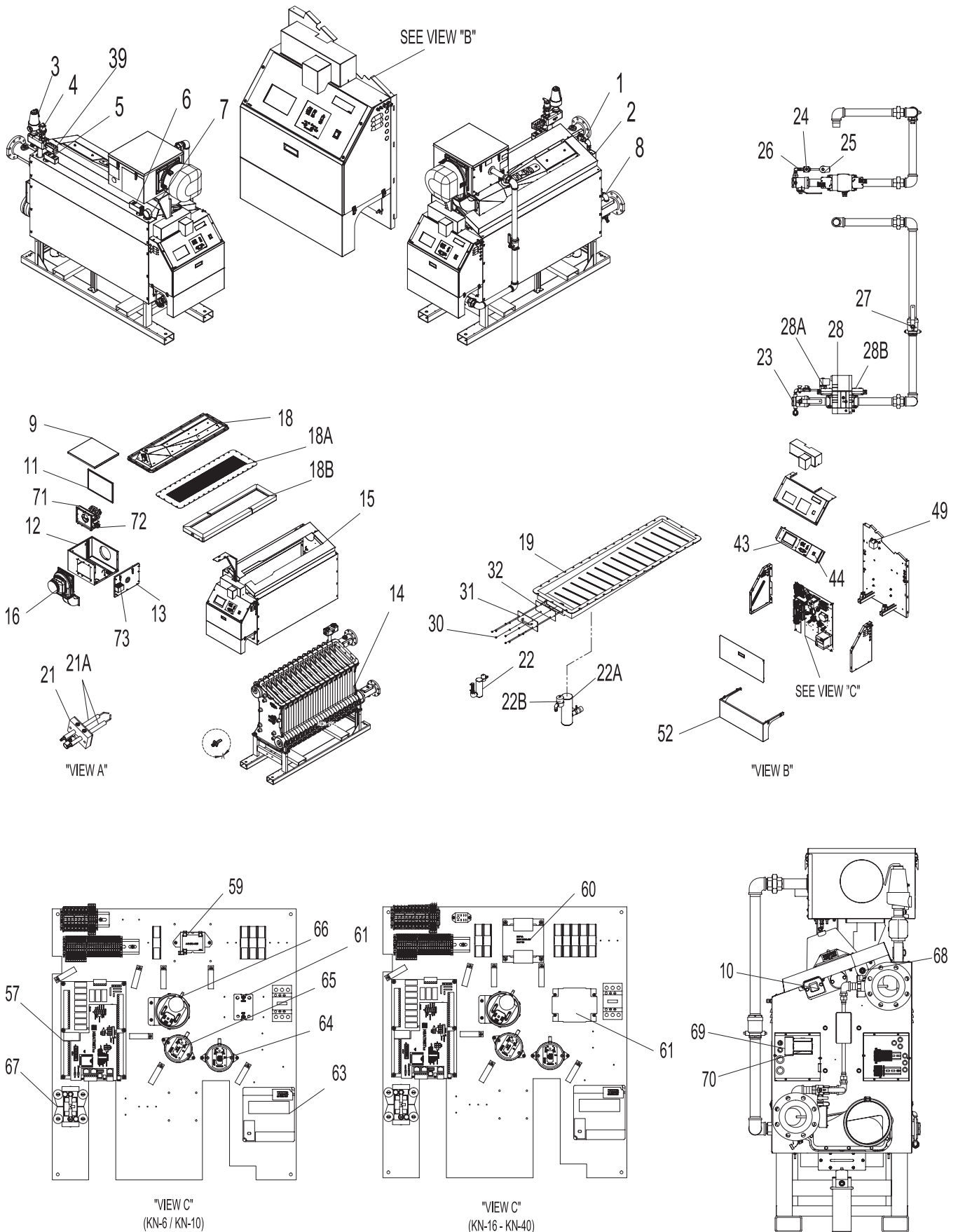


---



---

Figure 24 - KN-6, 10, 16, 20, 26, 30 and 40



**SERVICE AND REPLACEMENT PARTS LIST - KN-6, KN-10, KN-16, KN-20, KN-26, KN-30 and KN-40**

Ref	Name of Part	Part No.	Model Size with Item Quantities Below						
			KN-6	KN-10	KN-16	KN-20	KN-26	KN-30	KN-40
1	Supply Sensor w/Well	02-4284	1	1	1	1	1	1	1
2	Flow Sensor (VVX15)	13-00526-002	1	1	1	1	1	1	1
	Flow Sensor (VVX15) Replacement Kit	75-00582-001	1	1	1	1	1	1	1
	Flow Switch (IFS-1)	14-0201	1	1	1	1	1	1	1
	Flow Switch (FS251)	14-00001-001	1	1	1	1	1	1	1
3	30 psi Relief Valve	22-1805	1	1					1
		22-1809			1	1			
		22-1820					1	1	1
	50 psi Relief Valve	22-1807	1	1					
		22-1810			1	1			
		22-1821					1	1	1
	75 psi Relief Valve	22-1803	1	1					
		22-1811			1	1			
		22-1822					1	1	1
	100 psi Relief Valve	22-1808	1	1					
		22-1812			1	1			
		22-1823					1	1	
13-00005-004								1	
4	Air Vent	13-00402-001	1	1	1	1	1	1	
NS	Raised Air Manifold	01-00001-001	1	1	1	1	1	1	
5	High Limit Aquastat (Manual Reset)	14-00054-001	1	1	1	1	1	1	
	Well 1/2"	14-00151-001	1	1	1	1		1	
6	High Limit Aquastat (Auto Reset)	14-00053-001					1	1	
	Well 1/2"	14-00151-002					1	1	
7	T&P Gauge ( 30 & 50 psi)	20-1021	1	1	1	1	1	1	
	T&P Gauge ( 75 & 100 psi)	20-1020	1	1	1	1	1	1	
8	Return Sensor w/Well	02-4284	1	1	1	1	1	1	
9	Filter Box Cover	03-00370-002	1	1					
		03-00370-001			1	1	1	1	
		03-00370-000							1
10	Sight Glass	60-4280	1	1	1	1	1	1	
	Sight Glass Gasket	05-00103-001	1	1	1	1	1	1	
	Inner Sight Glass Gasket	59-1064	1	1	1	1	1	1	
11	Air Filter	20-00016-002	1	1					
		20-00016-001			1	1	1	1	
		20-00016-000							1
12	Filter Box Weldment	75-00305-002	1	1					
		74-00305-001			1	1	1	1	
		74-00305-000							1
13	Filter Box Panel, RH	74-00308-002	1	1					
		74-00308-001			1	1	1	1	
		74-00308-000							1
	Filter Box Panel, RH (10:1)	74-00309-002	1	1					
		74-00309-001			1	1	1	1	
		74-00309-000						1	
NS	Gas Orifice (NG) Must order orings below	10-00001-006	1						
		10-00001-005		1					
		10-00001-014		1 (10:1)					
		10-00001-005			1				
		10-00001-007			1 (10:1)				
		10-00001-003				1			
		10-00001-002					1	2	
		10-00001-001					1		
NS	Gas Orifice (LP) Must order orings below	10-00001-012	1						
		10-00001-011		1					
		10-00001-013		1 (10:1)					
		10-00001-010			1				
		10-00001-009				1			
		10-00001-008					1		
		10-00001-007						1	
		10-00001-005					2		
NS	Orings, Gas Orifice	95-00002-153	1	1	1	1	1	1	
		95-00002-157	1	1	1	1	1	1	

**SERVICE AND REPLACEMENT PARTS LIST - KN-6, KN-10, KN-16, KN-20, KN-26, KN-30 and KN-40**

Ref	Name of Part	Part No.	Model Size with Item Quantities Below						
			KN-6	KN-10	KN-16	KN-20	KN-26	KN-30	KN-40
NS	Conversion Kit (LP to NG)	75-00574-001	1						
		75-00574-002		1					
		75-00574-008		1 (10:1)					
		75-00574-003			1				
		75-00574-009			1 (10:1)				
		75-00574-004				1			
		75-00574-005					1		
		75-00574-006						1	
		75-00574-007						1	
NS	Conversion Kit (NG to LP)	75-00575-001	1						
		75-00575-002		1					
		75-00575-008		1 (10:1)					
		75-00575-003			1				
		75-00575-004				1			
		75-00575-005					1		
		75-00575-006						1	
		75-00575-007						1	
NS	Gasket, Blower/Filter Box	06-00010-001			1	1	1	1	1
NS	1/4" Aluminum Tubing	89-00005-021	per foot						
NS	UV Flame Sensor, C7027	02-5206	1	1	1	1	1	1	1
NS	3" Supply & Return Casting	01-00051-001	2	2	2	2			
NS	4" Supply & Return Casting	01-00054-001					2	2	2
14	Block / Sections	Consult Customer Service - model and serial number required							
15	Jacket Assembly								
NS	Gasket, Blower Adapter/Upper Cover	06-00017-001	1	1	1				
		06-00009-001				1	1	1	1
NS	Flue Adapter	09-00002-003	1	1					
		09-00002-002			1	1			
		09-00002-001					1	1	
		09-00002-005							1
16	Blower Replacement Kit	75-00567	1	1					
		75-00572-001			1	1			
		75-00573-001					1	1	
		75-00585-001							1
NS	Clear RTV Sealant	66-00103-001	3	3	3	3	3	3	
NS	Gasket, Blower / Filter Box	06-00018-001	1	1					
NS	Gasket, Blower/Blower Adapter	06-00016-001	1	1					
		06-00008-001			1	1	1	1	1
18	Upper Cover	75-00206-006	1						
		75-00206-005		1					
		75-00206-004			1				
		75-00206-003				1			
		75-00206-002					1		
		75-00206-001						1	
		75-00206-000						1	
18a	Burner	74-00233-006	1						
		74-00233-005		1					
		74-00233-004			1				
		74-00233-003				1			
		74-00233-002					1		
		74-00233-001						1	
		74-00233-000						1	
NS	Burner Gasket Kits	75-00579-006	1						
		75-00579-005		1					
		75-00579-004			1				
		75-00579-003				1			
		75-00579-002					1		
		75-00579-001						1	
		75-00579-000						1	
NS	Fiber Gasket - Burner to Ceramic Chamber	06-00002-006	1						
		06-00002-005		1					
		75-00580-004			1				
		75-00580-003				1			
		75-00580-002					1		
		75-00580-001						1	
		75-00580-000						1	

**SERVICE AND REPLACEMENT PARTS LIST - KN-6, KN-10, KN-16, KN-20, KN-26, KN-30 and KN-40**

Ref	Name of Part	Part No.	Model Size with Item Quantities Below							
			KN-6	KN-10	KN-16	KN-20	KN-26	KN-30	KN-40	
18b	Combustion Chamber	05-00003-001	1							
		05-00004-001		1						
		75-00244-004			1					
		75-00244-003				1				
		75-00244-002					1			
		75-00244-001						1		
NS	Burner Rebuild Kits	75-00540-006	1							
		75-00540-005		1						
		75-00540-004			1					
		75-00540-003				1				
		75-00540-002					1			
		75-00540-001						1		
NS	Burner Replacement Kit (less burner)	75-00543-006	1							
		75-00543-005		1						
		75-00543-004			1					
		75-00543-003				1				
		75-00543-002					1			
		75-00543-001						1		
19	Drain Pan Assembly	75-00543-000							1	
		75-00202-006	1							
		75-00202-005		1						
		75-00202-004			1					
		75-00202-003				1				
		75-00202-002					1			
NS	RTV Red Sealant 10 Oz Tube	66-00101-001	1	1	1	1	1	1	1	
		66-00101-002	1	1	1	1	1	1	1	
NS	Pilot Tube	10-00105-002	1	1	1					
		10-00105-001				1	1	1	1	
		10-00050-001	1	1	1	1	1	1	1	
		10-00050-002	1	1	1	1	1	1	1	
		10-00101-002	1	1	1					
		10-00101-001				1	1	1	1	
21	Ignitor Block Assembly	70-1345	1	1	1	1	1	1	1	
21a	Electrode	04-1343-001	2	2	2	2	2	2	2	
		Gasket, Electrode	05-00102-002	1	1	1	1	1	1	1
		Washer, Electrode (2 per)	57-4709	4	4	4	4	4	4	4
NS	Ignition Cable 24"	16-00004-001	1	1	1	1	1	1	1	
NS	Ground Cable 15"	16-00008-001	1	1	1	1	1	1	1	
22	Condensate Trap Assembly	75-00234-001	1	1	1	1	1	1	1	
		Condensate Trap Cap	04-00110	1	1	1	1	1	1	1
22a	Condensate Trap Assembly (10:1)	75-00234-003	1	1	1	1	1	1	1	
22b	Switch Level	14-00401-001	1	1	1	1	1	1	1	
23	Manual Shutoff Valve 1"	02-1575	1	1						
		Manual Shutoff Valve 1 1/2"	02-1578			1	1	1	1	
		Manual Shutoff Valve 2"	84-01300-006						1	
24	Pilot Gas Regulator	11-00301-001	1	1	1	1	1	1		
25	Pilot Gas Valve V4046C	11-00401-001	1	1	1	1	1	1		
26	1/8 Gas Cock	84-01268-001	1	1	1	1	1	1		
27	Manual Shutoff Valve 1"	02-1575	1	1						
		Manual Shutoff Valve 1 1/2"	02-1578			1	1	1	1	
		Manual Shutoff Valve 2"	84-01300-006						1	
28	Gas Valve MBC	11-00001-001	1	1						
		MBC Filter Kit	11-00109	1	1					
		Gas Valve MBC	11-00002-001			1	1	1	1	
		MBC Filter Kit	11-00110			1	1	1	1	
		Gas Valve MBC	11-00003-001						1	
28a	Low Gas Pressure Switch	11-00201-001	1	1	1	1	1	1		
28b	High Gas Pressure Switch	11-00202-001					1	1		
30	Drain Pan Bolt Assembly	75-00203-001	1	1	1	1	1	1		
31	Drain Pan Clean Out Cover	74-00202-001	1	1	1	1	1	1		
32	Drain Pan Clean Out Cover Gasket	06-00001-001	1	1	1	1	1	1		
39	#751 LWCO less Case	14-00202-001	1	1	1	1	1	1	1	
		LWCO Probe	14-00202-002	1	1	1	1	1	1	
NS	Rocker Switch (Green)	58-1555	2	2	2	2	2	2		
43	Touchscreen Display w/Enclosure	40-00752-003	1	1	1	1	1	1		
44	Power Switch, Rocker	58-1536	1	1	1	1	1	1		



**SERVICE AND REPLACEMENT PARTS LIST - KN-6, KN-10, KN-16, KN-20, KN-26, KN-30 and KN-40**

Ref	Name of Part	Part No.	Model Size with Item Quantities Below						
			KN-6	KN-10	KN-16	KN-20	KN-26	KN-30	KN-40
49	Ignition Transformer	16-00353-001	1	1	1	1	1	1	1
52	Gas Train Shroud	74-00221-001	1	1	1	1	1	1	1
NS	Jacket Panel Insulation, 2" Foil Back	10-5008	Per square foot						
57	HNet V3.0 Board Replacement Kit	75-00570	1	1	1	1	1	1	1
NS	Ribbon Cable (Touchscreen)	40-00269	1	1	1	1	1	1	1
59	50VA Transformer	26-3211	1	1	1	1	1	1	1
60	250VA Transformer	15-00003-001					1	1	1
61	Blower Relay, Solid State	15-00106	1	1					
		15-00105-001			1	1	1	1	1
63	Flame Safeguard RM7895C	16-00257-001	1	1	1	1	1	1	1
NS	Display Module S7800	16-00258-001	1	1	1	1	1	1	1
NS	Purge Timer ST7800	02-4014	1	1	1	1	1	1	1
NS	UV Amplifier, R7849A	16-00256-001	1	1	1	1	1	1	1
64	Pressure Switch NS2-0334-00 3.0" WC	14-00304-001	1	1	1	1	1	1	1
65	Pressure Switch NS2 5.5" WC	14-00306-001	1	1	1	1	1	1	1
66	Pressure Switch - HUBA 0.10" WC Bracket, Pressure Switch	14-00301-001	1	1	1	1	1	1	1
		14-00302-001	1	1	1	1	1	1	1
67	Air Pump	09-1518	1	1	1	1	1	1	1
68	Sensor, O2 (10:1)	16-00156-001	1	1	1	1	1	1	1
69	Power Supply (10:1)	48-00803-001	1	1	1	1	1	1	1
70	Board (10:1)	40-00757-001	1	1	1	1	1	1	1
71	Shutter Box	75-00355-001	1	1	1	1	1	1	
		75-00355-000							1
72	Gasket, Shutter Box to Filter Box	06-00031-001	1	1	1	1	1	1	
		06-00031-000							1
73	Cover, Stepper Motor (10:1)	03-00426-001	1	1	1	1	1	1	
NS	Touchscreen Overlay	82-00410-001	1	1	1	1	1	1	
NS	HeatNet Overlay	82-00412-006	1						
		82-00412-005		1					
		82-00412-004			1				
		82-00412-003				1			
		82-00412-002					1		
		82-00412-001						1	
		82-00412-000						1	
NS	Rating Label	82-00004-001	1	1	1	1	1	1	

# NOTICE!

## Commonwealth of Massachusetts Installation Requirements

(a) For all side wall horizontally vented gas fueled equipment installed in every dwelling, building or structure used in whole or in part for residential purposes, including those owned or operated by the commonwealth and where the side wall exhaust vent termination is less than seven (7) feet above finished grade, in the area of the venting, including but not limited to decks and porches, the following requirements shall be satisfied:

1. **INSTALLATION OF CARBON MONOXIDE DETECTORS.**  
At the time of installation of the side wall horizontal vented gas fueled equipment, the installing plumber or gasfitter shall observe that a hard wired carbon monoxide detector with an alarm and battery back-up is installed on the floor level where the gas equipment is to be installed. In addition, the installing plumber or gasfitter shall observe that a battery operated or hard wired carbon monoxide detector with an alarm is installed on each additional level of the dwelling, building or structure served by the side wall horizontal vented gas fueled equipment. It shall be the responsibility of the property owner to secure the services of qualified licensed professionals for the installation of hard wired carbon monoxide detectors.
  - a. In the event that the side wall horizontally vented gas fueled equipment is installed in a crawl space or an attic, the hard wired carbon monoxide detector with alarm and battery back-up may be installed on the next adjacent floor level.
  - b. In the event that the requirements of this subdivision can not be met at the time of completion of installation, the owner shall have a period of thirty (30) days to comply with the above requirements; provided, however, that during said thirty (30) day period, a battery operated carbon monoxide detector with an alarm shall be installed.
2. **APPROVED CARBON MONOXIDE DETECTORS.** Each carbon monoxide detector as required in accordance with the above provisions shall comply with NFPA 720 and be ANSI/UL 2034 listed and IAS certified.
3. **SIGNAGE.** A metal or plastic identification plate shall be permanently mounted to the exterior of the building at a minimum height of eight (8) feet above grade directly in line with the exhaust vent terminal for the horizontally vented gas fueled heating appliance or equipment. The sign shall read, in print size no less than one-half (1/2) inch in size, "GAS VENT DIRECTLY BELOW. KEEP CLEAR OF ALL OBSTRUCTIONS".
4. **INSPECTION.** The state or local gas inspector of the side wall horizontally vented gas fueled equipment shall not approve the installation unless, upon inspection, the inspector observes carbon monoxide detectors and signage installed in accordance with the provisions of 248 CMR 5.08(2)(a)1 through 4.

**WARNING** Improper venting can result in excessive levels of carbon monoxide which can cause severe personal injury or death!

**In the Commonwealth of Massachusetts, the installation must be performed by a licensed plumber or gas fitter.**

### (b) Exemptions

The following equipment is exempt from 248 CMR 5.08(2)(a) 1 through 4:

1. The equipment listed in Chapter 10 entitled "Equipment Not Required To Be Vented" in the most current edition of NFPA 54 as adopted by the Board; and
2. Product Approved side wall horizontally vented gas fueled equipment installed in a room or structure separate from the dwelling, building or structure used in whole or in part for residential purposes.

### (c) MANUFACTURER REQUIREMENTS - GAS EQUIPMENT VENTING SYSTEM PROVIDED.

When the manufacturer of Product Approved side wall horizontally vented gas equipment provides a venting system design or venting system components with the equipment, the instructions provided by the manufacturer for installation of the equipment and the venting system shall include:

1. Detailed instructions for the installation of the venting system design or the venting system components; and
2. A complete parts list for the venting system design or venting system.

### (d) MANUFACTURER REQUIREMENTS – GAS EQUIPMENT VENTING SYSTEM NOT PROVIDED.

When the manufacturer of a Product Approved side wall horizontally vented gas fueled equipment does not provide the parts for venting the flue gases, but identifies "special venting systems", the following requirements shall be satisfied by the manufacturer:

1. The referenced "special venting system" instructions shall be included with the appliance or equipment installation instructions; and
2. The "special venting systems" shall be Product Approved by the Board, and the instructions for that system shall include a parts list and detailed installation instructions.

**(e) A copy of all installation instructions for all Product Approved side wall horizontally vented gas fueled equipment, all venting instructions, all parts lists for venting instructions, and/or all venting design instructions shall remain with the appliance or equipment at the completion of the installation.**

**WARNING** Improper venting can result in excessive levels of carbon monoxide which can cause severe personal injury or death!

**KN+ and KN Series Water Boiler  
Limited Warranty****One-Year Warranty**

The “Manufacturer” warrants to the original owner at the original installation site that the KN-Series modulating water boiler supplied boiler parts (“Products”) will be free from defects in material and workmanship for one (1) year from the date of installation or eighteen (18) months from the date of shipment from the factory whichever comes first. If upon examination by the manufacturer the product is shown to have a defect in material or workmanship during the warranty period, the manufacturer will repair or replace, at its option that part of the product, which is shown to be defective.

**Twenty-Five Year Warranty**

The manufacturer warrants to the original owner at the original installation site that the products Cast Iron Heat Exchanger (Cast Iron Block) will be free from defects in material or workmanship and against failure due to condensate corrosion, for a period of twenty-five (25) years (non-prorated) from the date of shipment from the factory. This warranty will cover damage due to thermal shock, such as leaks to the cast iron sections, when installed as a closed loop hot water boiler. If upon examination by the manufacturer the product is shown to have a defect in material or workmanship during the warranty period, the manufacturer will repair or replace, at its option the products Cast Iron Heat Exchanger, which is shown to be defective.

**Five Year Warranty**

The manufacturer further warrants to the original owner at the original installation site that the products Secondary Heat Exchanger will be free from defects in material, workmanship, condensate corrosion and leaks due to thermal shock, when installed as a closed loop hot water boiler, for a period of five (5) years (non-prorated) from the date of shipment from the factory. If upon examination by the manufacturer the product is shown to have a defect in material or workmanship during the warranty period, the manufacturer will repair or replace, at its option the products Secondary Heat Exchanger, which is shown to be defective.

**This Limited Warranty does not Apply:**

- (a) This warranty does not cover damage due to water side corrosion, scaling, sooting or to improper installation practices. The inlet/outlet water temperature differential across the boiler heat exchanger must not exceed 100 degrees F. System water quality: dissolved solids must be less than 500 ppm and no greater than 300 ppm hardness. Suspended solids such as magnetite, Iron Oxides must be flushed from the system prior to commissioning the boiler(s). In addition, pH levels must be in the 6.5-11 range. Failure to follow these guidelines will void the warranty.
- (b) If the product has been subjected to misuse or neglect, has been accidentally or intentionally damaged, has not been installed, maintained or operated in accordance with the furnished written instructions, or has been altered or modified in anyway by any unauthorized person.
- (c) To any expenses, including labor or material, incurred during the removal or reinstallation of the product or parts thereof.
- (d) To products which were not installed and or serviced by a qualified contractor and or serviceman.
- (e) To burners, jackets, controls and other auxiliary equipment furnished by the manufacturer, but manufactured by others. Any warranties for such items shall be limited to those warranties offered by the original equipment manufacturer.
- (f) To any workmanship by any installer of the product.

**This limited Warranty is Conditional Upon:**

- (a) Shipment, to the manufacturer, of that part of the product thought to be defective. Goods may only be returned with prior written approval of the manufacturer. All returns must be freight prepaid.
- (b) Determination in the reasonable opinion of the manufacturer that there exists a defect in material or workmanship. Repair or replacement of any part under this Limited warranty shall not extend the duration of the warranty with respect to such repaired or replaced part beyond the stated warranty period.

**THIS LIMITED WARRANTY IS IN LIEU OF ALL OTHER WARRANTIES, EITHER EXPRESSED OR IMPLIED, AND ALL SUCH OTHER WARRANTIES, INCLUDING WITHOUT LIMITATION IMPLIED WARRANTIES OF MERCHANTABILITY OR FITNESS FOR A PARTICULAR PURPOSE, ARE HEREBY DISCLAIMED AND EXCLUDED FROM THIS LIMITED WARRANTY. IN NO EVENT SHALL THE MANUFACTURER BE LIABLE IN ANY WAY FOR ANY CONSEQUENTIAL, SPECIAL, OR INCIDENTAL DAMAGES OF ANY NATURE WHATSOEVER, OR FOR ANY AMOUNTS IN EXCESS OF THE SELLING PRICE OF THE PRODUCT OR ANY PARTS THEREOF FOUND TO BE DEFECTIVE. THIS LIMITED WARRANTY GIVES THE OWNER AT THE ORIGINAL INSTALLATION SITE SPECIFIC LEGAL RIGHTS. YOU MAY ALSO HAVE OTHER RIGHTS, WHICH MAY VARY BY EACH JURISDICTION.**



IN UNITED STATES: 260 NORTH ELM ST. • WESTFIELD, MA 01085 • (833) 265-5371  
IN CANADA: 7555 TRANMERE DRIVE • MISSISSAUGA, ONT. L5S 1L4 • (905) 670-5888  
[www.knseries.com](http://www.knseries.com)