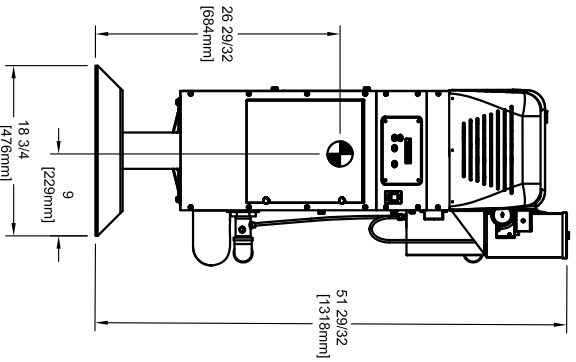
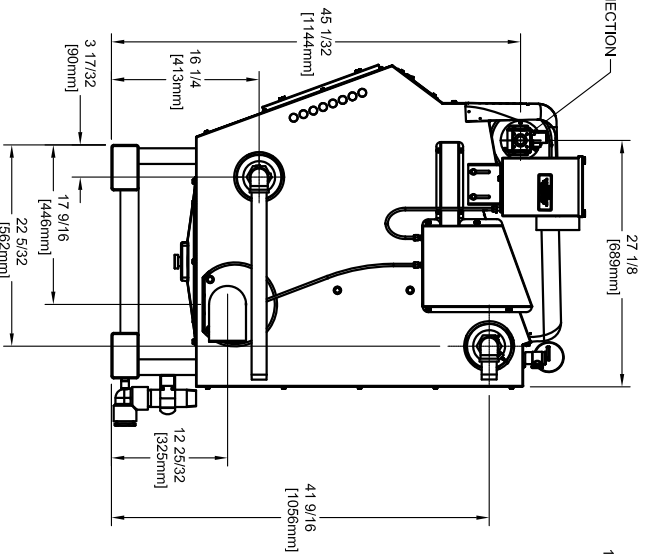


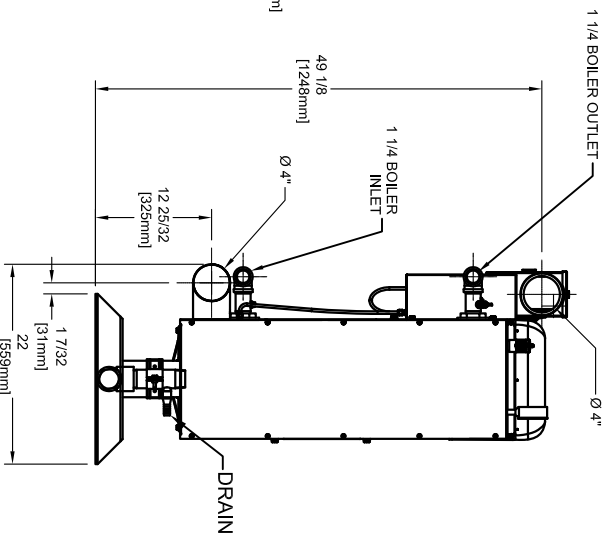
LEFT SIDE



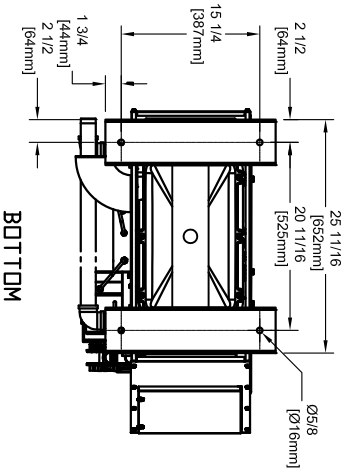
FRONT



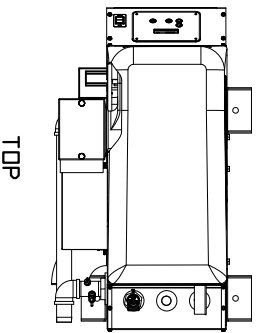
RIGHT SIDE



REAR



BOTTOM



TOP

CENTER OF GRAVITY 

NOTE: Dimensions are approximate and should not be used to "rough in" equipment.