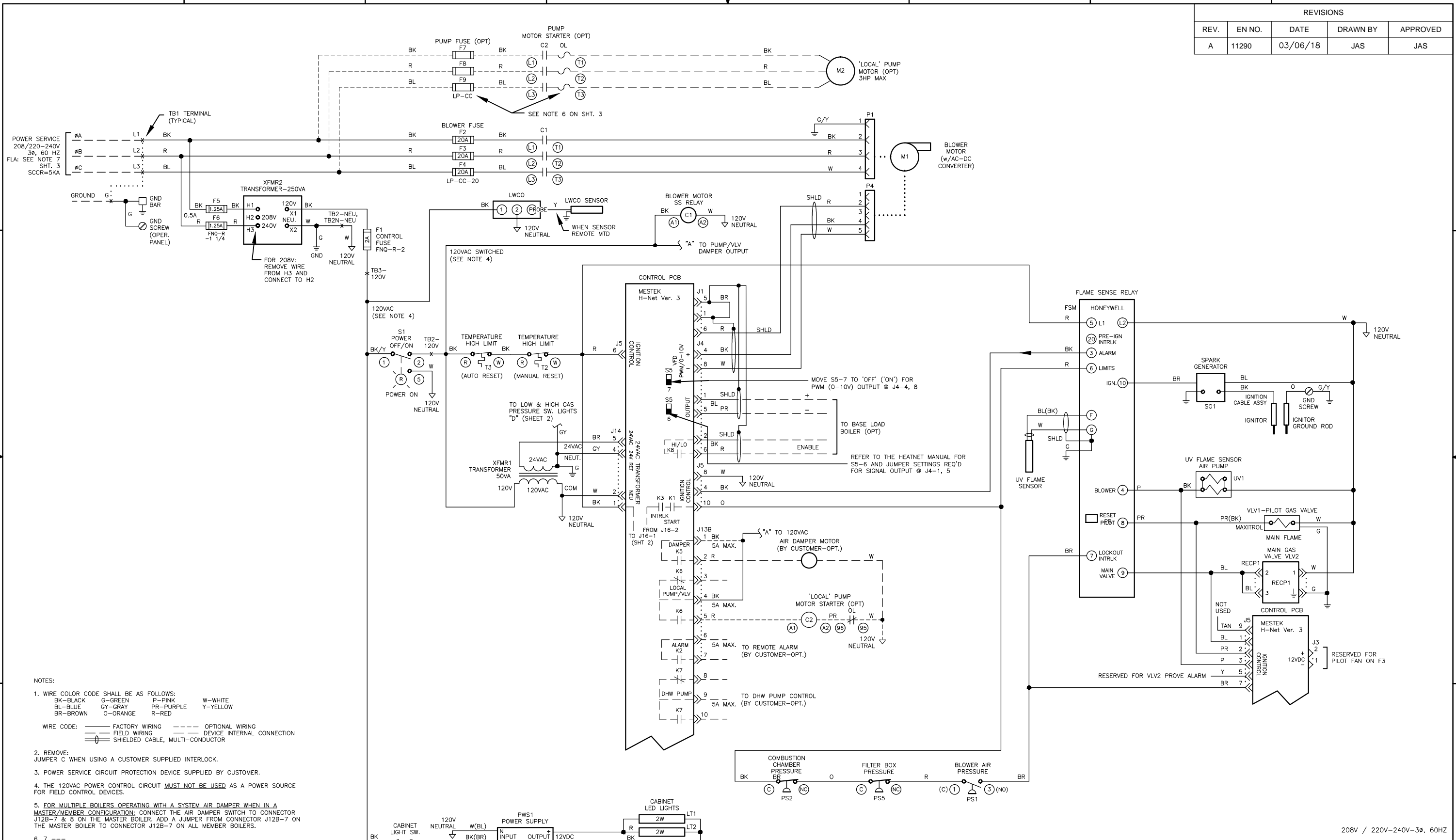


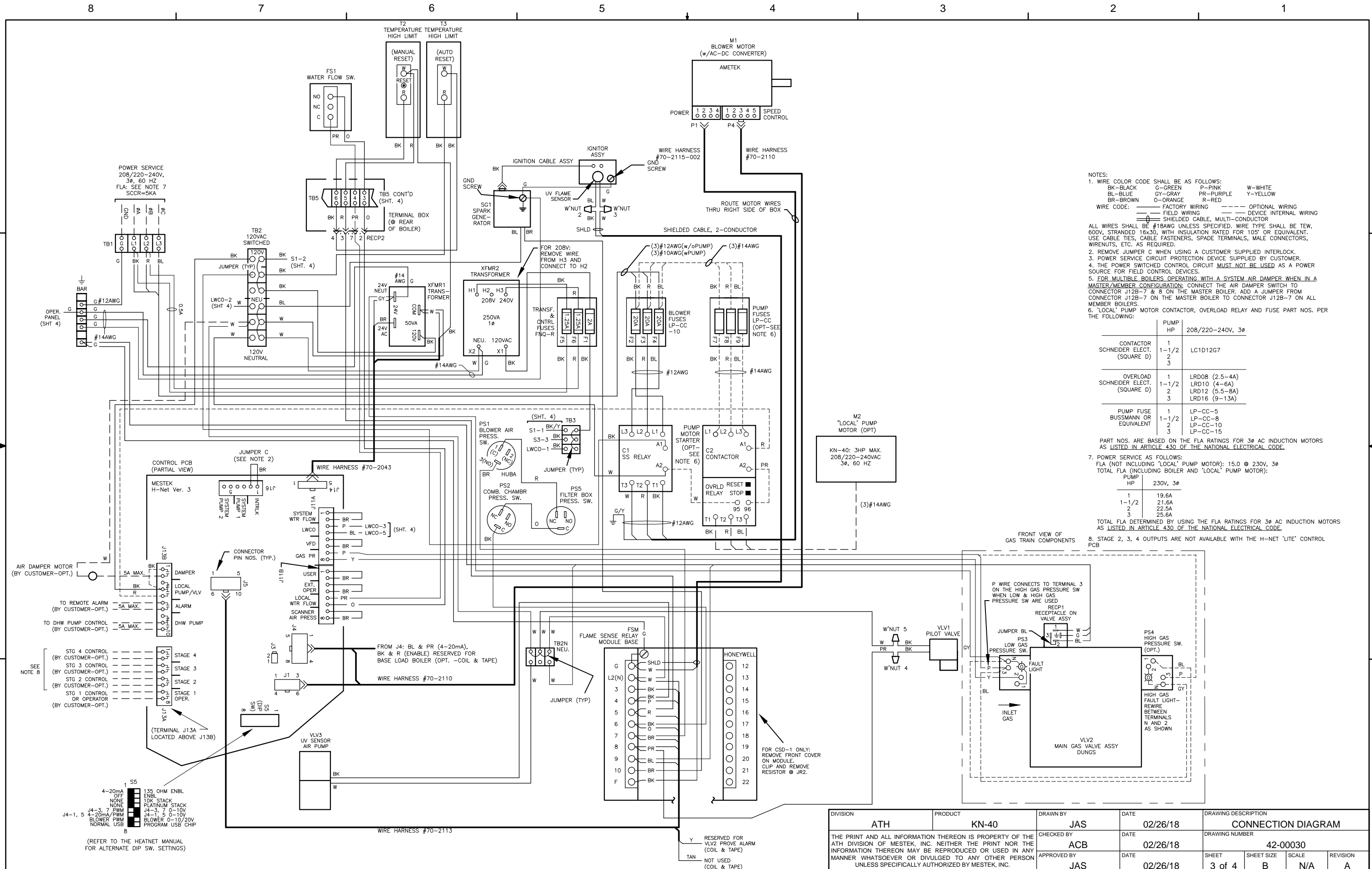
| REVISIONS |        |          |          |          |
|-----------|--------|----------|----------|----------|
| REV.      | EN NO. | DATE     | DRAWN BY | APPROVED |
| A         | 11290  | 03/06/18 | JAS      | JAS      |



- NOTES:
- WIRE COLOR CODE SHALL BE AS FOLLOWS:  
 BK-BLACK G-GREEN P-PINK W-WHITE  
 BL-BLUE GY-GRAY PR-PURPLE Y-YELLOW  
 BR-BROWN O-ORANGE R-RED
  - REMOVE JUMPER C WHEN USING A CUSTOMER SUPPLIED INTERLOCK.
  - POWER SERVICE CIRCUIT PROTECTION DEVICE SUPPLIED BY CUSTOMER.
  - THE 120VAC POWER CONTROL CIRCUIT **MUST NOT BE USED** AS A POWER SOURCE FOR FIELD CONTROL DEVICES.
  - FOR MULTIPLE BOILERS OPERATING WITH A SYSTEM AIR DAMPER WHEN IN A MASTER/MEMBER CONFIGURATION: CONNECT THE AIR DAMPER SWITCH TO CONNECTOR J12B-7 & 8 ON THE MASTER BOILER, ADD A JUMPER FROM CONNECTOR J12B-7 ON THE MASTER BOILER TO CONNECTOR J12B-7 ON ALL MEMBER BOILERS.
  - 7 ---
  - HEATNET ONLINE, STAGE 2, 3, 4 AND SYSTEM PUMP 2 OUTPUTS ARE NOT AVAILABLE WITH THE H-NET 'LITE' CONTROL PCB.

|   |          |            |            |                     |          |  |
|---|----------|------------|------------|---------------------|----------|--|
| DIVISION  | PRODUCT  | DRAWN BY   | DATE       | DRAWING DESCRIPTION |          |  |
| ATH   | KN-40    | JAS        | 02/26/18   | LADDER DIAGRAM      |          |  |
| THE PRINT AND ALL INFORMATION THEREON IS PROPERTY OF THE ATH DIVISION OF MESTEK, INC. NEITHER THE PRINT NOR THE INFORMATION THEREON MAY BE REPRODUCED OR USED IN ANY MANNER WHATSOEVER OR DIVULGED TO ANY OTHER PERSON UNLESS SPECIFICALLY AUTHORIZED BY MESTEK, INC. |          | CHECKED BY | DATE       | DRAWING NUMBER      |          |  |
|   |          | ACB        | 02/26/18   | 42-00030            |          |  |
| APPROVED BY   | DATE     | SHEET      | SHEET SIZE | SCALE               | REVISION |  |
| JAS   | 02/26/18 | 1 of 4     | B          | N/A                 | A        |  |





NOTES:

- WIRE COLOR CODE SHALL BE AS FOLLOWS:  
 BK-BLACK G-GREEN P-PINK W-WHITE  
 BL-BLUE GR-GRAY PR-PURPLE Y-YELLOW  
 BR-BROWN O-ORANGE R-RED
- WIRE CODE:  
 ——— FACTORY WIRING ——— OPTIONAL WIRING  
 ——— FIELD WIRING ——— DEVICE INTERNAL WIRING  
 ——— SHIELDED CABLE, MULTI-CONDUCTOR
- ALL WIRES SHALL BE #18AWG UNLESS SPECIFIED. WIRE TYPE SHALL BE TEW, 600V, STRANDED 16X30, WITH INSULATION RATED FOR 105° OR EQUIVALENT. USE CABLE TIES, CABLE FASTENERS, SPADE TERMINALS, MALE CONNECTORS, WIRENUTS, ETC. AS REQUIRED.
- REMOVE JUMPER C WHEN USING A CUSTOMER SUPPLIED INTERLOCK.
- POWER SERVICE CIRCUIT PROTECTION DEVICE SUPPLIED BY CUSTOMER.
- THE POWER SWITCHED CONTROL CIRCUIT MUST NOT BE USED AS A POWER SOURCE FOR FIELD CONTROL DEVICES.
- FOR MULTIPLE BOILERS OPERATING WITH A SYSTEM AIR DAMPER WHEN IN A MASTER/MEMBER CONFIGURATION: CONNECT THE AIR DAMPER SWITCH TO CONNECTOR J12B-7 & 8 ON THE MASTER BOILER. ADD A JUMPER FROM CONNECTOR J12B-7 ON THE MASTER BOILER TO CONNECTOR J12B-7 ON ALL MEMBER BOILERS.
- 'LOCAL' PUMP MOTOR CONTACTOR, OVERLOAD RELAY AND FUSE PART NOS. PER THE FOLLOWING:

|   | PUMP HP | 208/220-240V, 3Ø |
|---|---------|------------------|
| CONTACTOR<br>SCHNEIDER ELECT.<br>(SQUARE D) | 1       | LC1D12G7         |
|   | 1-1/2   |                  |
|   | 2       |                  |
| OVERLOAD<br>SCHNEIDER ELECT.<br>(SQUARE D)  | 1       | LRD08 (2.5-4A)   |
|   | 1-1/2   | LRD10 (4-6A)     |
|   | 2       | LRD12 (5.5-8A)   |
| PUMP FUSE<br>BUSSMANN OR<br>EQUIVALENT      | 1       | LP-CC-5          |
|   | 1-1/2   | LP-CC-8          |
|   | 2       | LP-CC-10         |
|   | 3       | LP-CC-15         |

PART NOS. ARE BASED ON THE FLA RATINGS FOR 3Ø AC INDUCTION MOTORS AS LISTED IN ARTICLE 430 OF THE NATIONAL ELECTRICAL CODE.

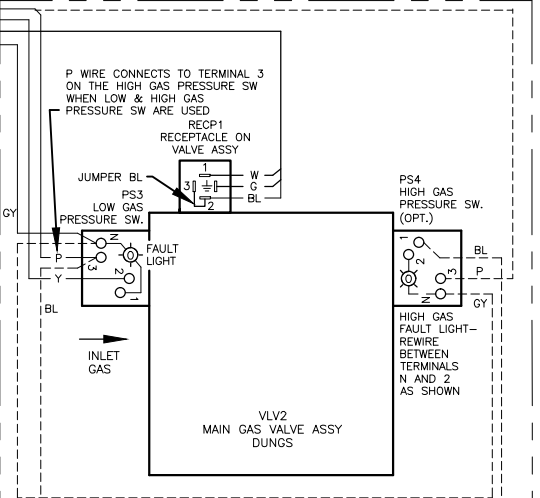
7. POWER SERVICE AS FOLLOWS:  
 FLA (NOT INCLUDING 'LOCAL' PUMP MOTOR): 15.0 @ 230V, 3Ø  
 TOTAL FLA (INCLUDING BOILER AND 'LOCAL' PUMP MOTOR):

| PUMP HP | 230V, 3Ø |
|---------|----------|
| 1       | 19.6A    |
| 1-1/2   | 21.6A    |
| 2       | 22.5A    |
| 3       | 25.6A    |

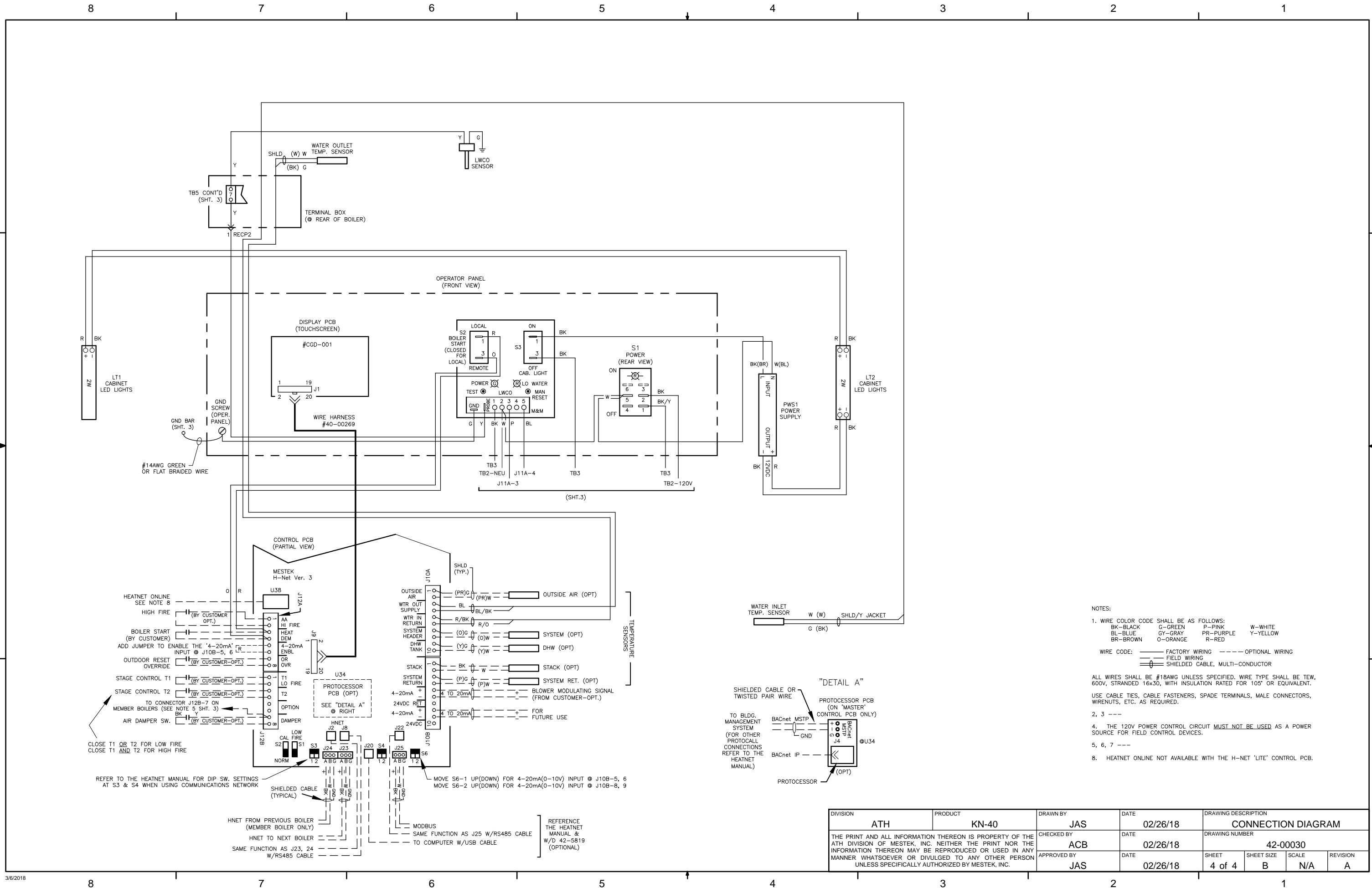
TOTAL FLA DETERMINED BY USING THE FLA RATINGS FOR 3Ø AC INDUCTION MOTORS AS LISTED IN ARTICLE 430 OF THE NATIONAL ELECTRICAL CODE.

8. STAGE 2, 3, 4 OUTPUTS ARE NOT AVAILABLE WITH THE H-NET 'LITE' CONTROL PCB

FRONT VIEW OF GAS TRAIN COMPONENTS



| DIVISION               |  | PRODUCT  |  | DRAWN BY    |  | DATE       |  | DRAWING DESCRIPTION |  |          |  |
|------------------------|--|----------|--|-------------|--|------------|--|---------------------|--|----------|--|
| ATH                    |  | KN-40    |  | JAS         |  | 02/26/18   |  | CONNECTION DIAGRAM  |  |          |  |
| CHECKED BY             |  | DATE     |  | APPROVED BY |  | DATE       |  | DRAWING NUMBER      |  |          |  |
| ACB                    |  | 02/26/18 |  | JAS         |  | 02/26/18   |  | 42-00030            |  |          |  |
| NOT USED (COIL & TAPE) |  | DATE     |  | SHEET       |  | SHEET SIZE |  | SCALE               |  | REVISION |  |
|                        |  | 02/26/18 |  | 3 of 4      |  | B          |  | N/A                 |  | A        |  |



- NOTES:
1. WIRE COLOR CODE SHALL BE AS FOLLOWS:  
 BK-BLACK G-GREEN P-PINK W-WHITE  
 BL-BLUE GY-GRAY PR-PURPLE Y-YELLOW  
 BR-BROWN O-ORANGE R-RED
  2. 3 ---  
 WIRE CODE: --- FACTORY WIRING - - - - - OPTIONAL WIRING  
 --- FIELD WIRING  
 --- SHIELDED CABLE, MULTI-CONDUCTOR
  3. ---
  4. THE 120V POWER CONTROL CIRCUIT **MUST NOT BE USED** AS A POWER SOURCE FOR FIELD CONTROL DEVICES.
  - 5, 6, 7 ---
  8. HEATNET ONLINE NOT AVAILABLE WITH THE H-NET 'LITE' CONTROL PCB.

|   |          |          |            |                     |                |  |
|---|----------|----------|------------|---------------------|----------------|--|
| DIVISION  | PRODUCT  | DRAWN BY | DATE       | DRAWING DESCRIPTION |                |  |
| ATH   | KN-40    | JAS      | 02/26/18   | CONNECTION DIAGRAM  |                |  |
| THE PRINT AND ALL INFORMATION THEREON IS PROPERTY OF THE ATH DIVISION OF MESTEK, INC. NEITHER THE PRINT NOR THE INFORMATION THEREON MAY BE REPRODUCED OR USED IN ANY MANNER WHATSOEVER OR DIVULGED TO ANY OTHER PERSON UNLESS SPECIFICALLY AUTHORIZED BY MESTEK, INC. |          |          | CHECKED BY | DATE                | DRAWING NUMBER |  |
|   |          |          | ACB        | 02/26/18            | 42-00030       |  |
| APPROVED BY   | DATE     | SHEET    | SHEET SIZE | SCALE               | REVISION       |  |
| JAS   | 02/26/18 | 4 of 4   | B          | N/A                 | A              |  |