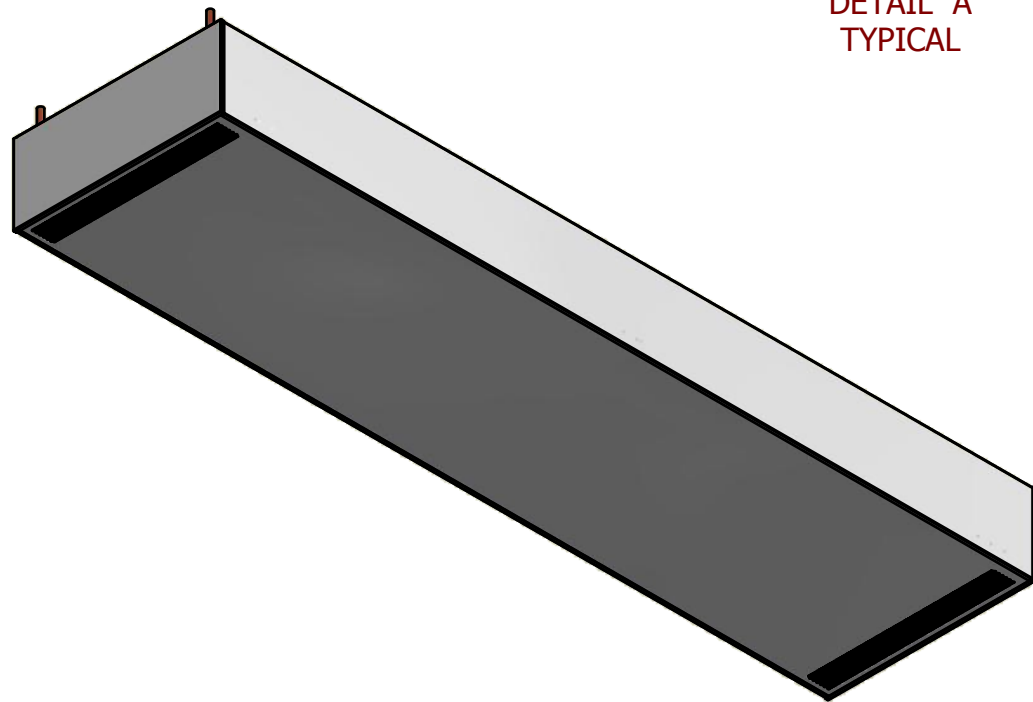
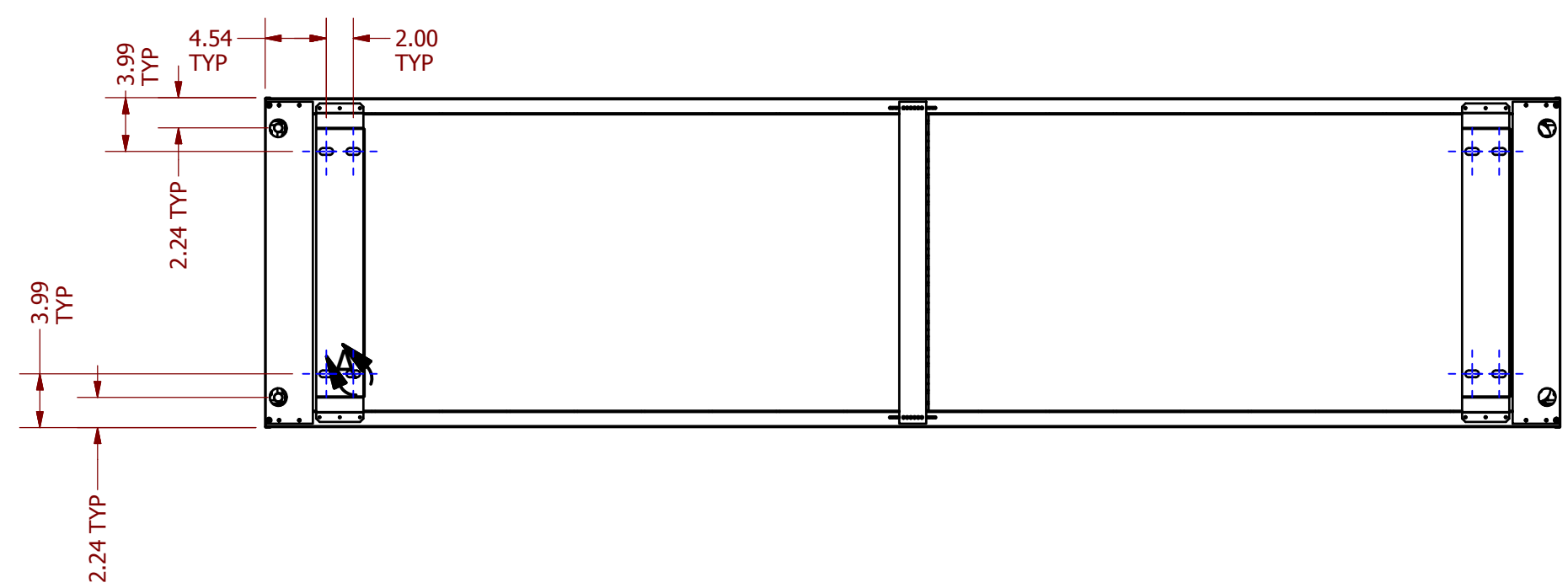
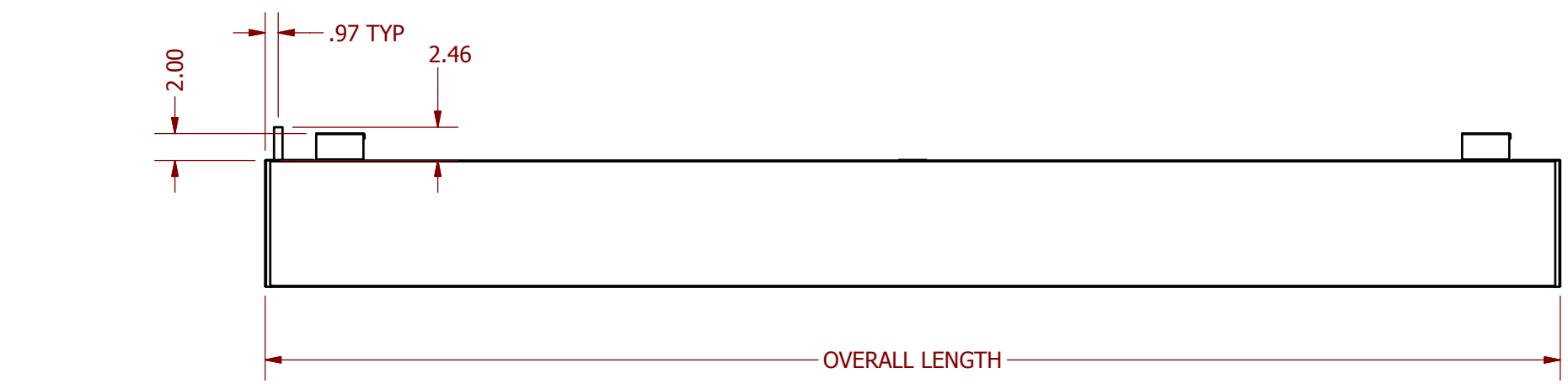
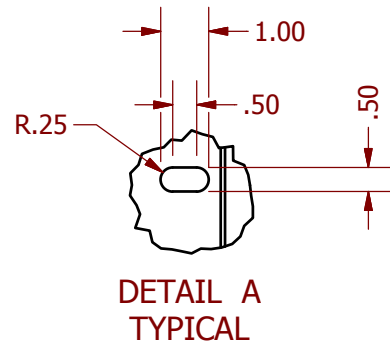
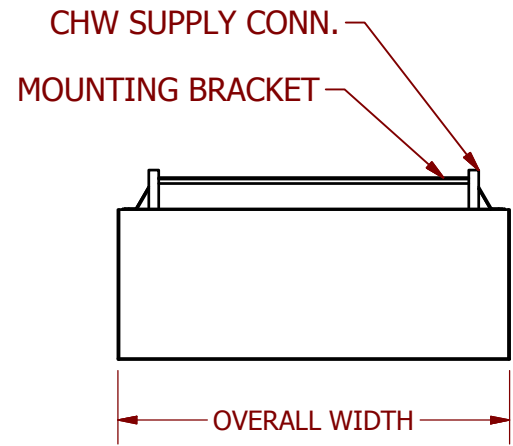


LENGTH TABLE	
NOMINAL (ft)	OVERALL LENGTH (in)
2	24
3	36
4	48
5	60
6	72
7	84
8	96

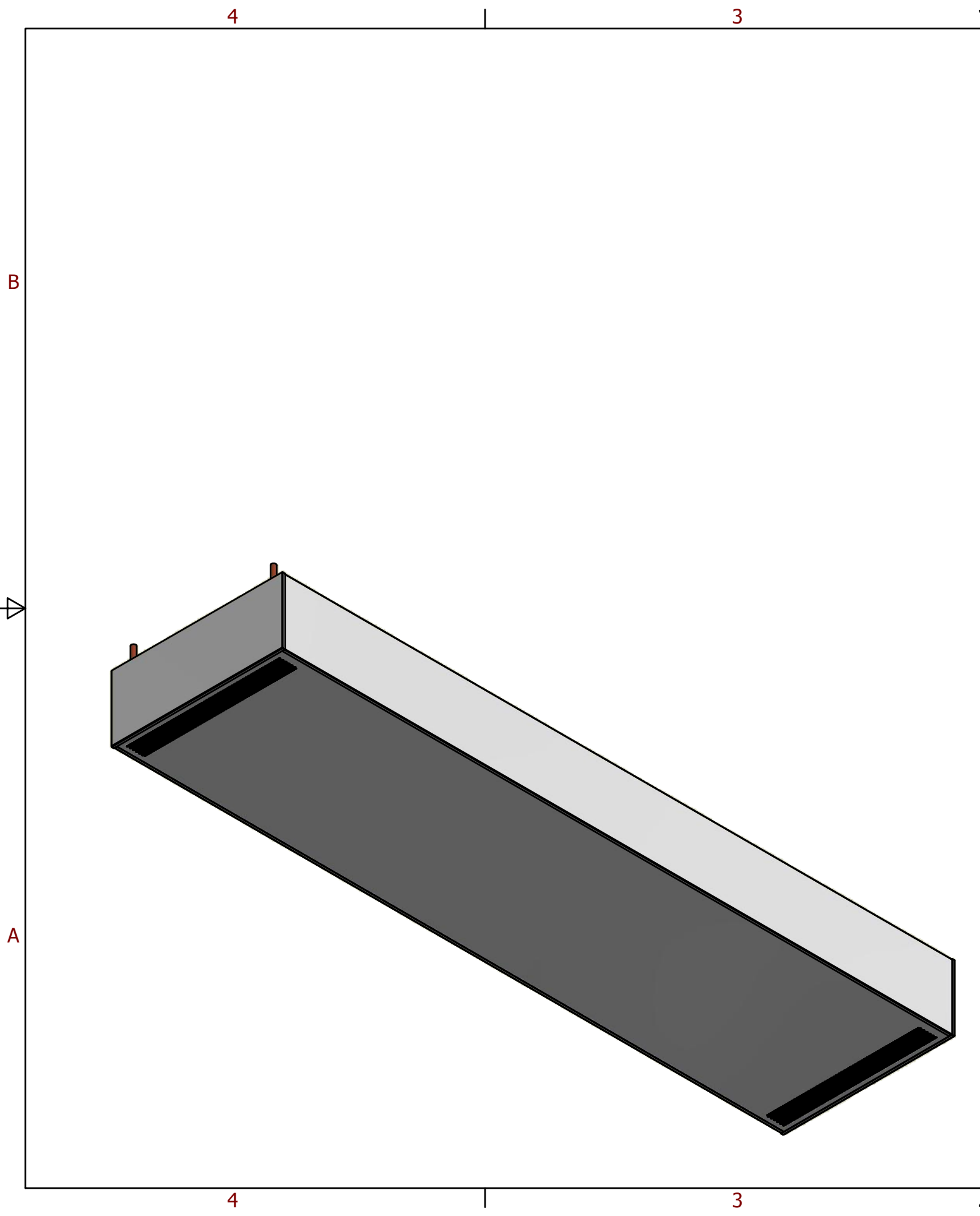
WIDTH TABLE	
NOMINAL (in)	OVERALL WIDTH (in)
12	12 1/2
18	18 1/2
24	24 1/2

COIL OPTIONS	
<input type="checkbox"/>	Ø5/8" O.D. SWT CONNECTION
<input type="checkbox"/>	Ø1/2" FEMALE NPT CONNECTION
<input type="checkbox"/>	Ø1/2" MALE NPT CONNECTION



- NOTES:**
1. FACE COLOR WILL BE STANDARD WHITE UNLESS SPECIFIED OTHERWISE.
 2. DRAWING INDICATES 8 FT NOMINAL LENGTH AND 24" NOMINAL WIDTH.
 3. FOR WEIGHT DATA, SEE SHEET 2.

PCB10 SUBMITTAL DRAWING					
STRICTLY CONFIDENTIAL		DADANCO - A MESTEK CO.			
DADANCO - A MESTEK CO. 47 Westfield Industrial Park Rd WESTFIELD, MA 01085 Ph. (413) 564-5657, Fax. (413) 568-2969 www.dadanco.com		TITLE			
DRN	DL	6/29/2020	DPBEM EXPOSED PASSIVE CHILLED BEAM		
CKD	SL	6/29/2020			
APPD	DL	6/29/2020			
ISSUED					
UNLESS NOTED OTHERWISE ALL DIMENSIONS IN INCHES ANGULAR TOL: 1.0° LINEAR TOL: ±0.02"		ANSI STANDARD	PROJECT NO: DPBEM	File Name: 7912-PCB10_24_096_REV_B.iam	RELEASE
			SCALE: NTS	SHEET: 1 / 1	A



WEIGHT TABLE				
NOM. WIDTH (IN)	NO. LENGTH (FT)	DRY WEIGHT (LBS)	WATER WEIGHT (LBS)	OPERATING WEIGHT (LBS)
12	2	33	2	35
12	3	45	3	48
12	4	56	5	61
12	5	69	5	74
12	6	80	7	87
12	7	92	8	99
12	8	103	9	112
12	9	115	10	125
12	10	126	11	137
18	2	42	4	46
18	3	56	5	62
18	4	70	7	77
18	5	86	9	95
18	6	100	10	111
18	7	114	12	126
18	8	128	14	142
18	9	142	16	158
18	10	156	18	174
24	2	51	5	56
24	3	68	7	75
24	4	84	10	94
24	5	103	12	115
24	6	120	14	134
24	7	136	17	153
24	8	153	19	172
24	9	169	22	191
24	10	186	24	210

PCB10 SUBMITTAL DRAWING					
STRICTLY CONFIDENTIAL			DADANCO - A MESTEK CO.		
<small>DADANCO - A MESTEK CO. 47 Westfield Industrial Park Rd WESTFIELD, MA 01085 Ph. (413) 564-5657, Fax. (413) 568-2969 www.dadanco.com</small>					
DRN	DL	6/29/2020	DPBEM EXPOSED PASSIVE CHILLED BEAM		
CKD	SL	6/29/2020			
APPD	DL	6/29/2020			
ISSUED					
<small>UNLESS NOTED OTHERWISE ALL DIMENSIONS IN INCHES ANGULAR TOL: 1.0° LINEAR TOL: ±0.02"</small>		ANSI STANDARD	PROJECT NO:	File Name:	RELEASE A
			DPBEM	7912-PCB10_24_096_REV_B.iam	
			SCALE:	SHEET:	
			NTS	1 / 1	