

Standard Construction and Materials

FRAME: .081" thick (nominal) extruded aluminum 6063-T52/T6 alloy.

BLADE: .081" thick (nominal) extruded aluminum 6063-T52/T6 alloy.
Blades are approximately 4" on centers.

LOUVER FACE: Full width sill with drain head and non-drain blades contained within the drain jambs.

LINKAGE: Extruded aluminum, concealed in channel out of airstream.
Pivots are .50" dia. plated and machined steel. Pivots rotate in a celcon bearing. A .312" dia. aluminum linkage rod is locked to the pivot by a ¼ - 20 set screw with an epoxy locking patch.

SHAFTS: .50" dia. aluminum "Pin-Lock" rod.

SEALS: Extruded silicone rubber seal at blade edge. Polyurethane at the jambs.

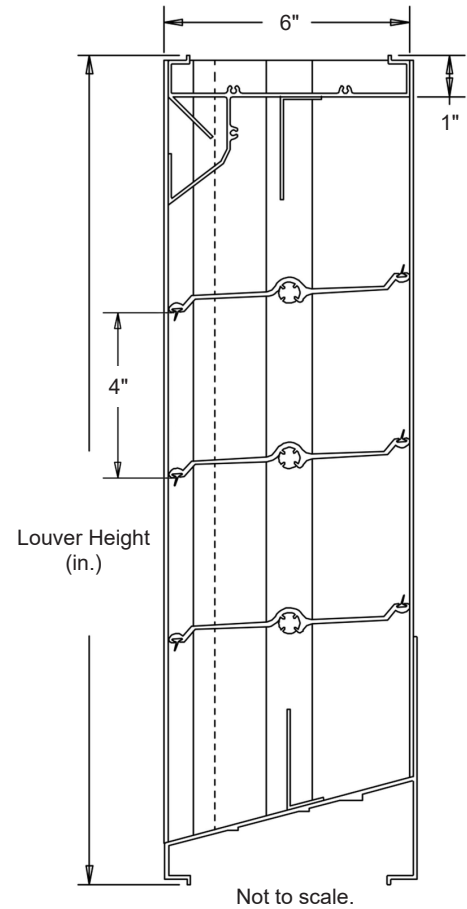
SCREEN: (When indicated, in a removable frame.)

½" flattened aluminum, .051" thick,

-or- ½" sq. mesh, intermediate double-crimped aluminum wire, .063" dia.,

-or- 18/6 mesh, .011" dia. aluminum wire, insect screen

FINISH: Mill.



Options

Finish - Baked Enamel, Kynar, Anodize

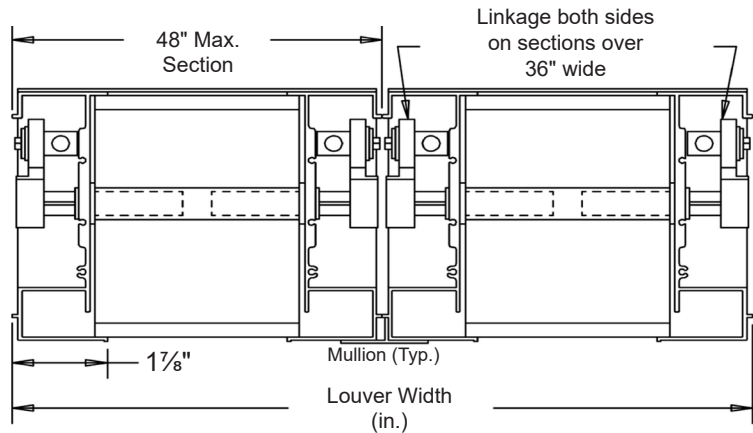
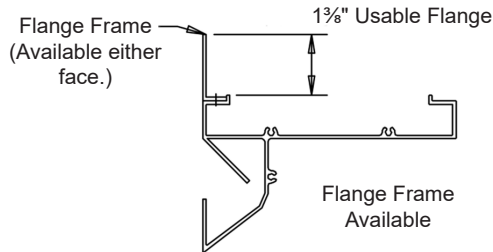
Actuators - Electric, Pneumatic, Manual, etc.

Notes

1. Nominal deductions will be made to the opening size given.
2. Approximate shipping weight is 5.0 lbs./sq.ft.

Louver Sizes

Min Panel	Max Single Panel
12"W x 12"H	48"W x 96"H



Item #	Qty	Width	Height	Width	Height	Mullion	Type	Location			
Arch. / Eng.:		Opening Size		Louver Size		EDR:	Screens		ECN:	Job:	
Contractor:											
Project:						Date:	DWN:	DWG:			

In the interest of product development, Cesco Products reserves the right to make changes without notice.



450 Riverside Dr • Wyalusing PA, 18853
Phone: 570-746-1888 • Fax: 570-746-9286
www.cescoproducts.com

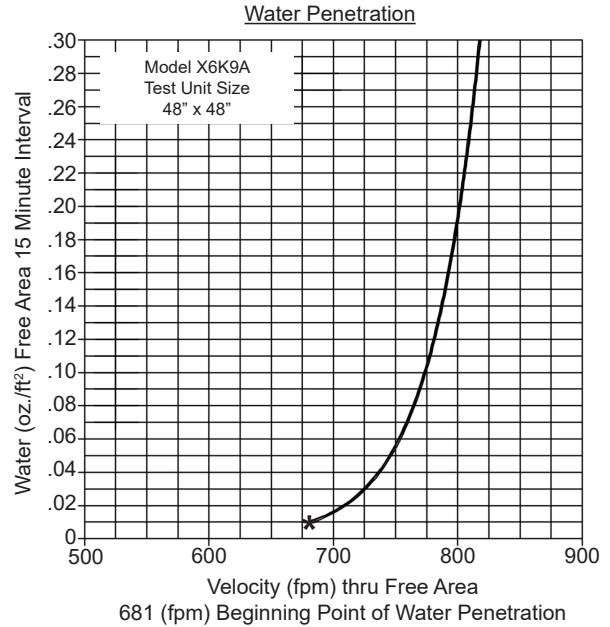
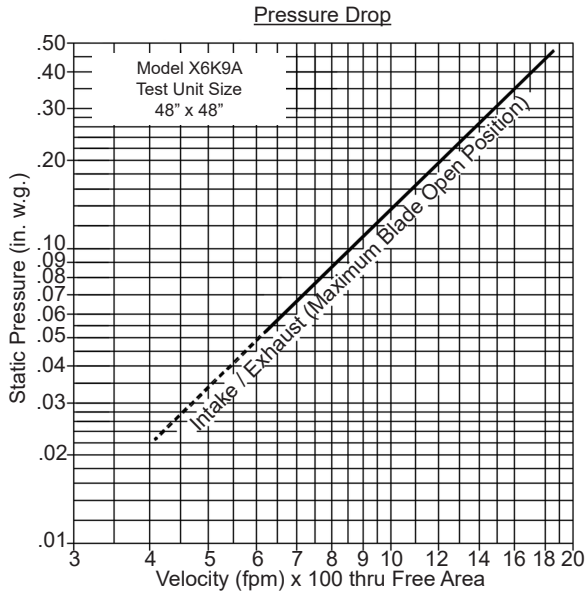
Performance Data

Pressure Drop: .14 in. w.g. at 1000 fpm (intake)

Free Area: 10.71 sq.ft. = 67% for 48"W x 48"H sample tested in accordance with AMCA Standard 500-L.

Beginning Point of Water Penetration: 681 fpm

Ratings do not include the effects of a screen



The AMCA Certified Ratings Seal applies to Air Performance only. Tested in accordance with AMCA Standard 500-L, Test Figure 5.5 - 6.5

Free Area (sq.ft.)

Height (in.)	Width (in.)						
	12"	18"	24"	30"	36"	42"	48"
12"	.22	.39	.56	.73	.90	1.07	1.24
24"	.79	1.38	1.97	2.56	3.15	3.74	4.33
36"	1.35	2.36	3.37	4.38	5.39	6.40	7.41
48"	1.91	3.34	4.77	6.21	7.64	9.07	10.71
60"	2.47	4.32	6.18	8.03	9.89	11.74	13.59
72"	3.03	5.31	7.58	9.86	12.13	14.41	16.68
84"	3.59	6.29	8.99	11.68	14.38	17.07	19.77
96"	4.16	7.27	10.39	13.51	16.63	19.74	22.86



Cesco Products certifies that the Model X6K9A louver shown herein is licensed to bear the AMCA Seal. The ratings shown are based on tests and procedures performed in accordance with the AMCA Publication 511 and comply with the requirements of the AMCA Certified Ratings Program. The AMCA Certified Ratings Seal applies to Air Performance only.