

Standard Construction and Materials

FRAME: .081" thk. (nominal) extruded aluminum, 6063-T52/T6 alloy. Channel type.

BLADE: .081" thk. (nominal) extruded aluminum 6063-T52/T6 alloy. Blades are approximately 4" on centers.

LOUVER FACE: Full width sill with drain head and non-drain blades contained within drain jambs.

SHAFT: .50" dia aluminum "Pin-Lock" rod.

BEARINGS: Celcon bearing material so that there will be no metal to metal friction.

LINKAGE: Extruded aluminum, concealed in the channel out of the airstream. The pivots, which rotate in Celcon bearings, are .50" dia. plated and machined steel. The pivot is locked to the 5/16" dia. aluminum linkage rod by a 1/4" - 20 set screw with epoxy locking patch.

SEALS: Extruded silicone rubber seals at blade edge. Polyurethane at jambs.

SCREEN: (When indicated, in a removable frame)

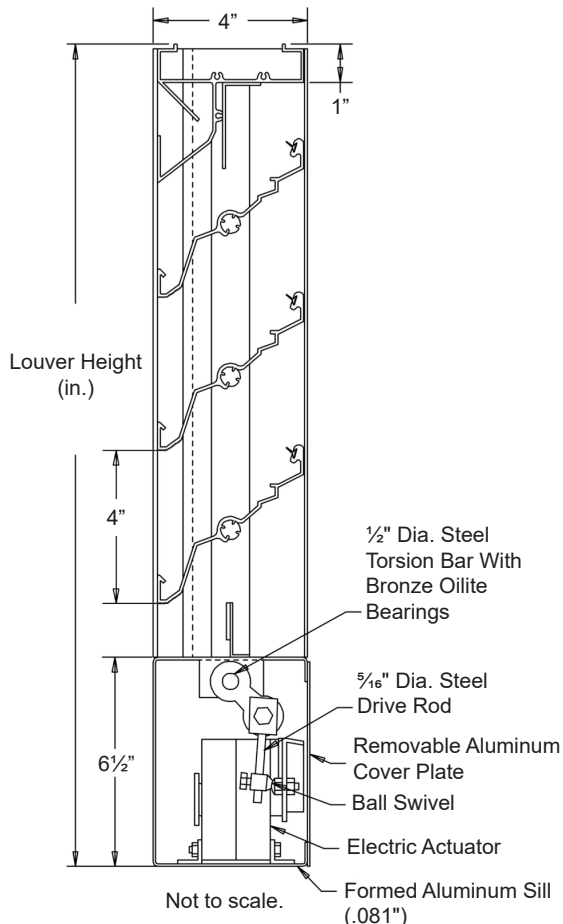
1/2" flattened aluminum, .051" thk.,

-or- 1/2" sq. mesh intermediate double crimped aluminum wire, .063" dia.,

-or- 18/16 aluminum mesh insect screen, .011" dia.

FINISH: Mill.

ACTUATOR: 120 VAC spring return normally closed. 133 in-lbs. torque.



Options

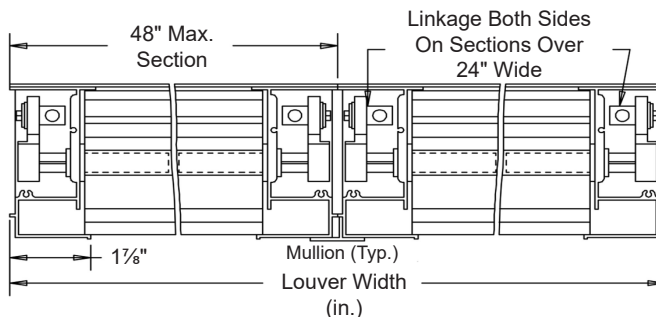
Finishes - Enamels, Epoxies, etc.
Other screens also available.

Notes

1. Nominal deductions will be made to the opening size given.
2. Approximate shipping weight is 5.0 lbs./sq.ft.

Louver Sizes

| | |
|-------------|------------------|
| Min Panel | Max Single Panel |
| 12"W x 19"H | 48"W x 96"H |



| | | | | | | | | | | | | |
|---------------|-----|--------------|--------|-------------|--------|---------|---------|----------|------|------|--|---|
| | | | | | | | | | | | |  |
| Item # | Qty | Width | Height | Width | Height | Mullion | Type | Location | | | | |
| | | Opening Size | | Louver Size | | | Screens | | | | | |
| Arch. / Eng.: | | | | | | EDR: | ECN: | | | Job: | | |
| Contractor: | | | | | | | | | | | | |
| Project: | | | | | | Date: | DWN: | | DWG: | | | |

In the interest of product development, Cesco Products reserves the right to make changes without notice.



450 Riverside Dr • Wyalusing PA, 18853
Phone: 570-746-1888 • Fax: 570-746-9286
www.cescoproducts.com