

View Ports • Single or Double Pane • Complete View Port Assemblies • Extruded Aluminum

**Standard Construction and Materials**

- INNER FRAME:** .060" thick (nominal) 6063-T52/T6 extruded aluminum.
- OUTER FRAME:** .060" thick (nominal) 6063-T52/T6 extruded aluminum.
- GLASS:** 1/4" thick, all panes.
- GASKET:** Neoprene / Ether.
- MOUNT HOLES:** On corners as standard. Available with no holes.
- FINISH:** Mill.

**Notes**

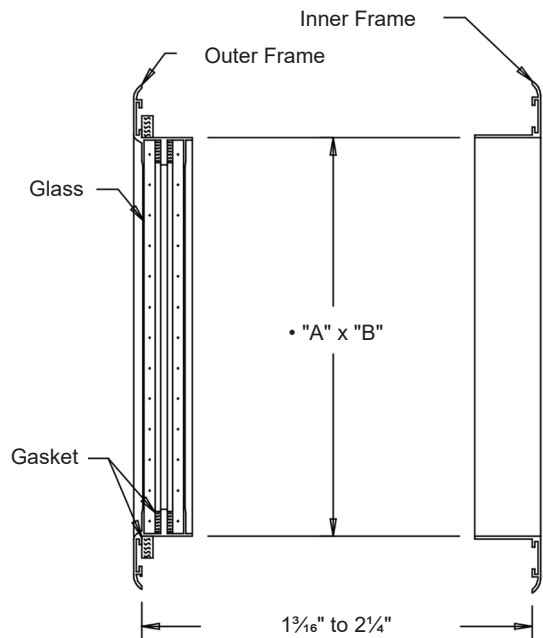
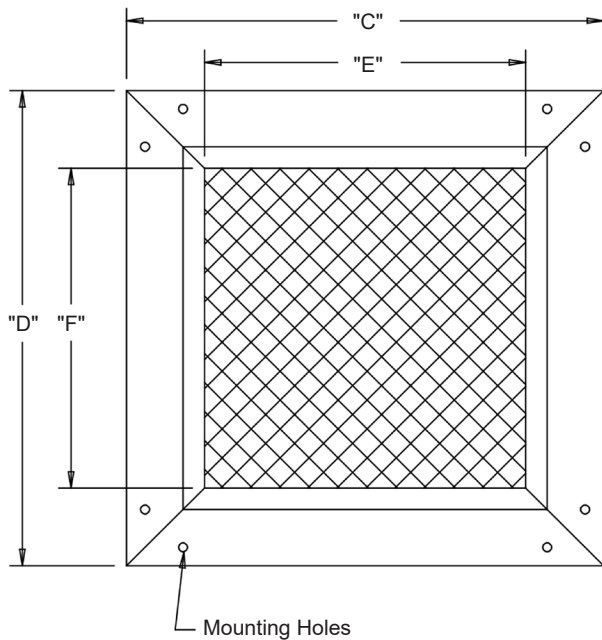
1. Unless otherwise specified, door will be fabricated 3/16" under listed size. Dimensional tolerance is ± .075.
2. View size is 15/16" under nominal opening size.
3. View port will accommodate a maximum wall thickness of 2 1/4". Consult factory if wall size is less than 1 3/16" thick.
4. View port units are not leak proof.
5. On thermal pane models, wire glass will be on the outside of the view port.

**View Port Sizes**

Min Size	Max Size
6"W x 6"H	24"W x 24"H

**Glass Types**

- P = 1/4" thick plexi-glass
- W = 1/4" wire glass
- T = Thermal pane, (1) 1/4" wire, (1) 1/4" clear



Not to scale.

Item #	Qty	Single	Double	P	W	T	"A" Width	"B" Height	"C" Width	"D" Height	"E" Width	"F" Height		
		VCS Panes		Glass Type			Opening Size		Outside Frame Size		View Size		Union Made	
Arch. / Eng.:							EDR:		ECN:		Job:			
Contractor:														
Project:							Date:		DWN:		DWG:			

In the interest of product development, Cesco Products reserves the right to make changes without notice.