

Standard Construction and Materials

FRAME: .063" thick (nominal) extruded aluminum 6063-T52/T6 alloy.

BLADE: .063" thick (nominal) extruded aluminum 6063-T52/T6 alloy. Blades positioned at 45° angle, spaced approximately 2 3/4" on center with architectural hidden mullions.

SUPPORTS: Incorporated rear angle 2" x 2" x 1/4" extruded aluminum blade support to withstand windload of 20 PSF, approximately 90 mph wind. Spaced on 24" centers. Supports vary as required per wind load. Supports vary as required, per wind load. Consult the factory for more options.

FINISH: Mill

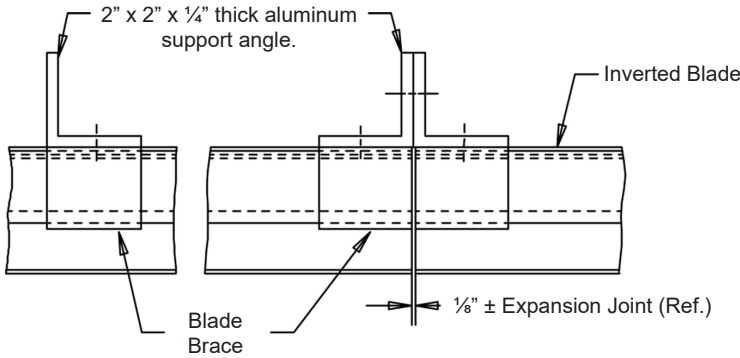
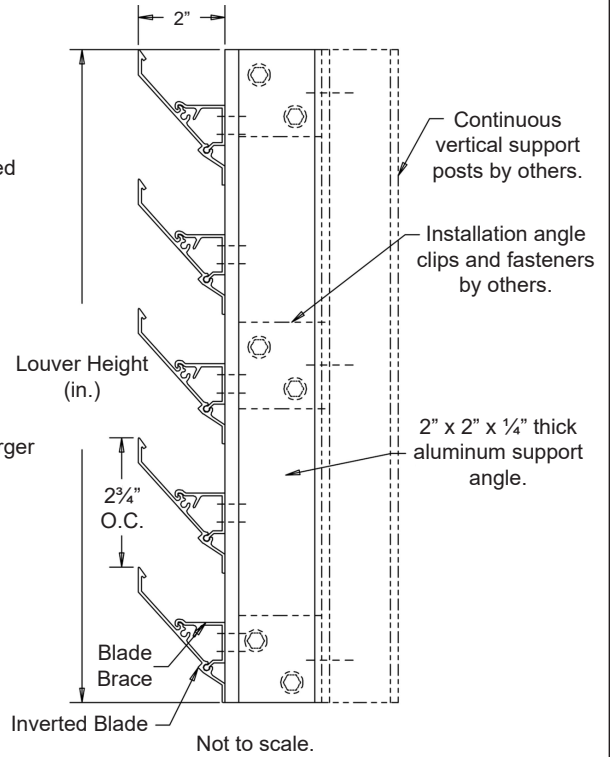
Options

Variations - Mitered Corner, Post Corner, Hinged Access, and Cap Covers.

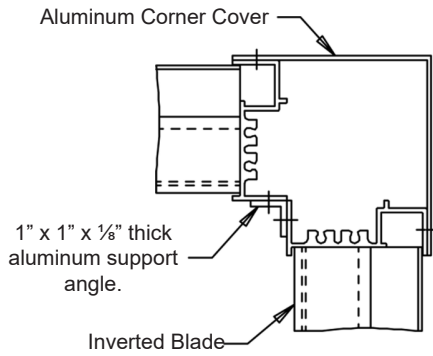
Finishes - Kynar, Baked Enamel, Clear and Color Anodize (Consult the factory for details.)

Notes

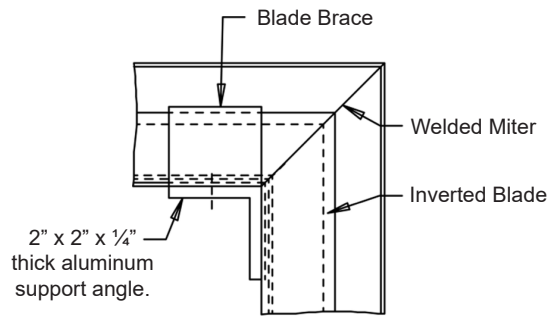
1. Maximum size should not exceed 60 sq. ft. or 120"W x 72"H. Louver sections larger than the factory maximum size will require field assembly of smaller sections.
2. Approximate shipping weight is 3.8 lbs./sq.ft.




Continuous Line Details



Post Corner Detail



Mitered Corner Detail

								
Item #	Qty	Height	Width		Mitered	Post		
Screen Size					Mullion	Corner Type		Union Made
Arch. / Eng. :				EDR:		ECN:	Job:	
Contractor:								
Project:				Date:		DWN:	DWG:	

In the interest of product development, Cesco Products reserves the right to make changes without notice.



450 Riverside Dr • Wyalusing PA, 18853
 Phone: 570-746-1888 • Fax: 570-746-9286
 www.cescoproducts.com

 Free Area Table

Free Area (sq. ft.)

		Width (in.)									
		12"	24"	36"	48"	60"	72"	84"	96"	108"	120"
Height (in.)	12"	.23	.46	.69	.92	1.15	1.38	1.60	1.83	2.06	2.29
	24"	.69	1.38	2.06	2.75	3.44	4.13	4.81	5.50	6.19	6.88
	36"	1.26	2.52	3.78	5.04	6.30	7.56	8.82	10.08	11.34	12.60
	48"	1.72	3.44	5.16	6.88	8.59	10.31	12.03	13.75	15.47	17.19
	60"	2.18	4.35	6.53	8.71	10.89	13.06	15.24	17.42	19.59	21.77
	72"	2.75	5.50	8.25	11.00	13.75	16.50	19.25	22.00	24.75	27.50
	84"	3.21	6.42	9.63	12.83	16.04	19.25	22.46	25.67	38.88	32.08
	96"	3.67	7.33	11.00	14.67	18.33	22.00	25.67	29.33	33.00	36.67
	108"	4.24	8.48	12.72	16.96	21.20	25.44	29.68	33.92	38.16	42.40
	120"	4.70	9.40	14.09	18.79	23.49	28.19	32.89	37.58	42.28	46.98