



Standard Construction and Materials

- FRAME:** 20-GA galvanized rolled frame, 16" deep.
- BLADES:** 20-GA double thickness galvanized steel (equal to 14-GA).
- AXLES:** ½" diameter galvanized or plated steel, full length.
- BEARING:** Oil impregnated bronze sleeve.
- STOPS:** Full open and full closed angle stops.
- CAULKING:** UL approved.
- FINISH:** Mill.
- ACTUATOR:** Non-motorized spring closure mechanic with 165°F fusible link

UNDERWRITERS LABORATORIES INC.®
 CLASSIFIED DYNAMIC FIRE DAMPER
 FIRE RESISTANCE RATING 1½ HOUR

FILE # R6462

This fire damper meets the construction and performance requirements of:

- Underwriters Laboratories Inc. Standard 555
- National Fire Protection Association Standards 80, 90A, 101
- California State Fire Marshal Listing #3225-1328:125
- Underwriters Laboratories Inc. Approved for dual direction airflow and dynamic conditions.
- Underwriters Laboratories Inc. Classified for use in fire resistive ratings of less than 3 hours.

Options

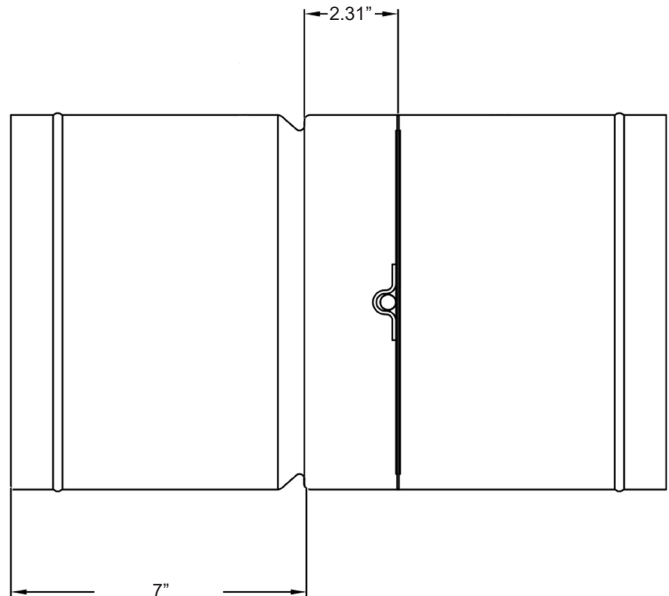
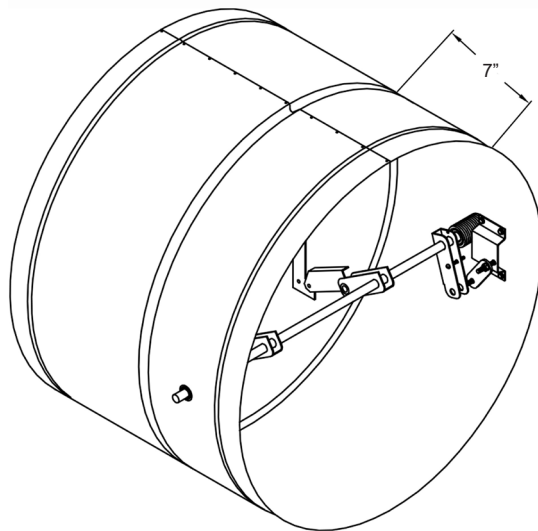
- Integral Dual Position Indication (IDPI) switches
- Rolled retaining angles
- Stainless steel bearings
- 212°F fusible link
- Retaining plates


Notes

1. Dampers are available in 2" diameter increments only.
2. Dampers ≥ 20" will require factory-mounted rings in the center of the damper.

Damper Sizes

	2000 fpm, 4 in. w.g.	3000 fpm, 4 in. w.g.
Horizontal & Vertical	Horizontal & Vertical	Horizontal & Vertical
Minimum Size	Maximum Size	Maximum Size
8" dia.	24" dia.	24" dia.



Item #	Qty	Damper Size	Horizontal	Vertical	165°F	212°F	 Union Made		
			Orientation		Fusible Link				
Arch. / Eng.:					EDR:		ECN:		Job:
Contractor:									
Project:					Date:		DWN:		DWG:

In the interest of product development, CESCO Products reserves the right to make changes without notice.



450 Riverside Dr • Wyalusing PA, 18853
 Phone: 570-746-1888 • Fax: 570-746-9286
 www.cescoproducts.com

Operations Ratings

Maximum Differential Pressure: 4 in. wg
Maximum Velocity: 3000 fpm

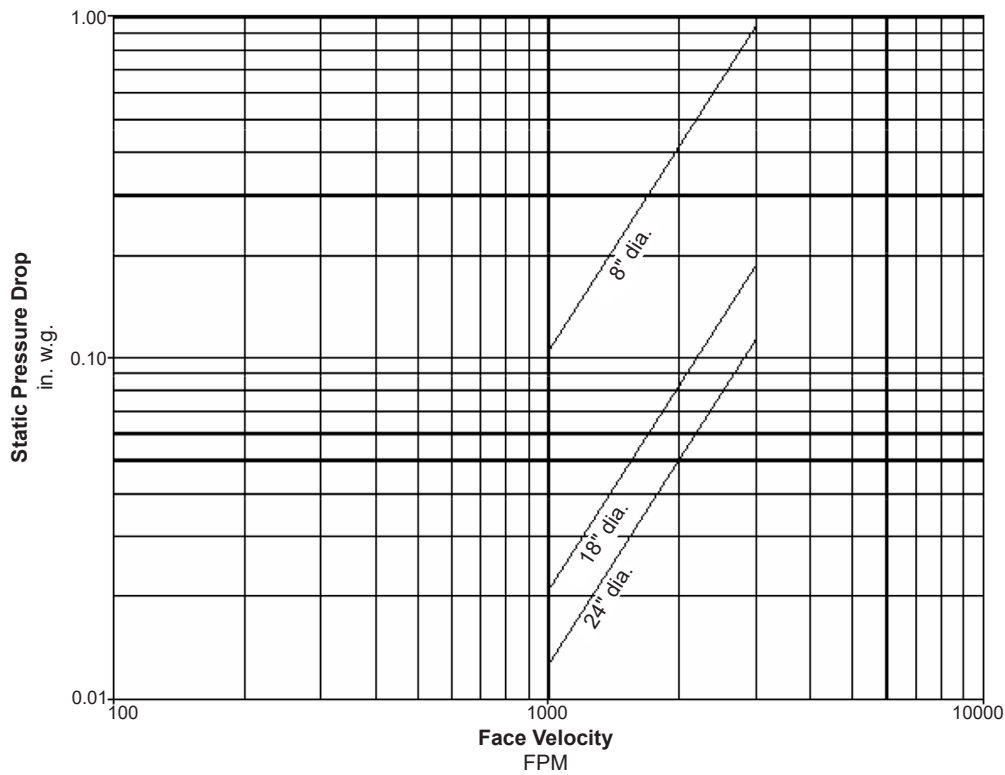
Sound Ratings

No ratings available.

Pressure Drop Ratings

The pressure drop data shown below is based on laboratory conditions. The test setup does not take into account elbows or other duct fittings that are part of every actual duct system. The configuration of the actual duct system immediately upstream and downstream of the damper often contributes more pressure loss than the damper itself.

This product was tested in accordance with AMCA Standard 500D.



AMCA Figure 5.3