

**Standard Construction and Materials**

**FRAME:** 2" Deep x .081" thick (nominal) extruded aluminum channel.

**BLADE:** .060" thick (nominal) formed aluminum. Flat, single web design.

**BEARINGS:** Oilite bronze.

**SHAFTS:** 1/2" dia. plated steel.

**SEALS:** Polyurethane on jambs.

**FINISH:** Mill.

**Options**

Other materials: galvanized steel, stainless steel, bronze, copper, etc.

Other finishes: Baked enamel, Kynar, Anodized

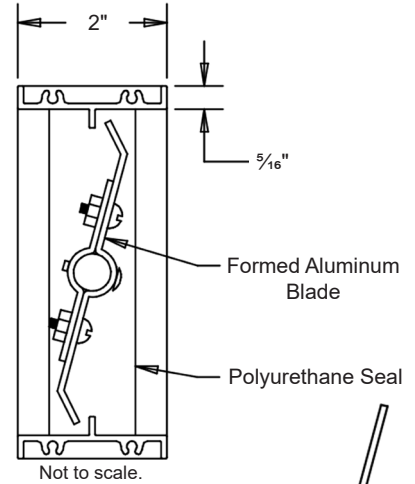
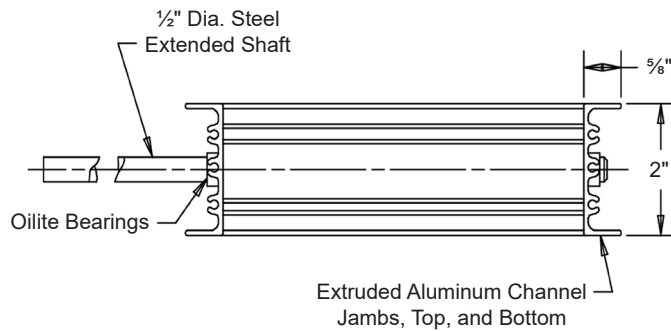
Bearings: Nylon, Celcon, ball, etc.

**Notes**

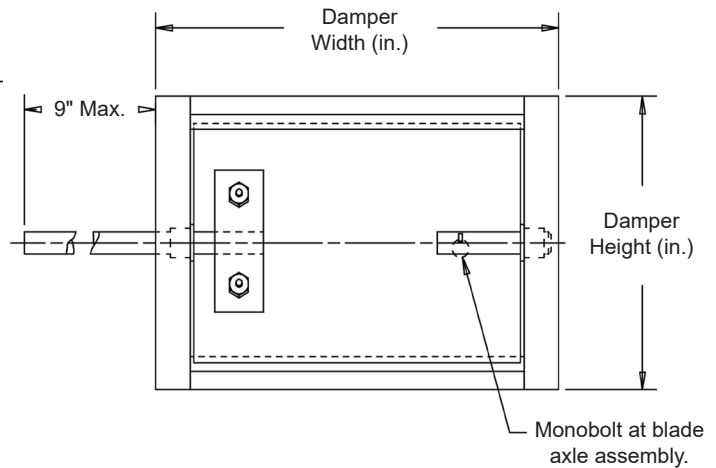
1. 1/4" nominal deduction will be made to the opening size given.
2. Dampers less than 12" wide have a fixed, permanently extended 6" axle shaft.
3. Units up to 48" wide will ship assembled.
4. Approximate shipping weight is 4.5 lbs./sq.ft.

**Damper Sizes**

Min Panel	Max Single Panel
6"W x 3"H	36"W x 12"H



Blade form for 2 7/8" and narrower blades.



Item #	Qty	Width	Height	Width	Height	
		Opening Size		Damper Size		
Arch. / Eng.:						
Contractor:						
Project:						
EDR:		ECN:		Job:		
Date:		DWN:		DWG:		

In the interest of product development, Cesco Products reserves the right to make changes without notice.