

Standard Construction and Materials

FRAME: 16-GA. galvanized steel.

BLADE: Adjustable blade made from 16-GA. galvanized steel.
Stationary blade made from 18-GA. galvanized steel.
Blades approximately 3" on centers.

LOUVER FACE: Full head and sill with blades and jabs contained within.

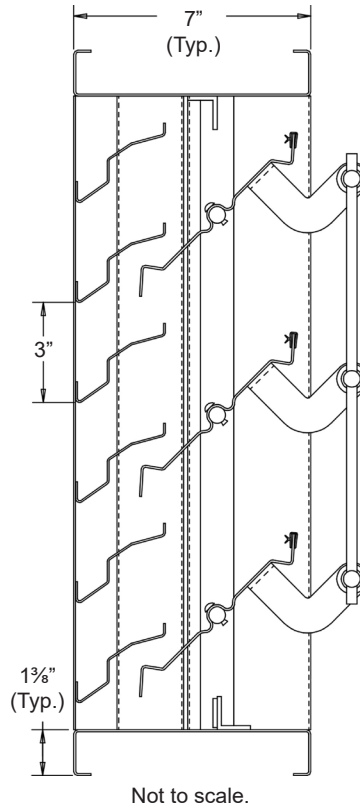
LINKAGE: Brackets are 12-GA. Zinc plated machined steel. Pivots rotate in a Celcon bearing. A .312" dia. aluminum linkage rod is locked to the pivot by a ¼ - 20 set screw with an epoxy patch.

SEALS: Dual Durometer vinyl-grip seals at blade edge.
Neoprene at jabs.

SHAFTS: ½" dia. plated steel stub.

SCREEN: (Secured to the exterior)
½" flattened aluminum (.051"),
-or- ½" sq. mesh 19-GA. galvanized steel (.041"),
-or- 18/16 aluminum mesh insect screen (.011" dia.)

FINISH: Mill.



Options

Finishes - Enamels, Epoxies, etc.

Other screens also available.

Materials - 304 or 316 Stainless steel.

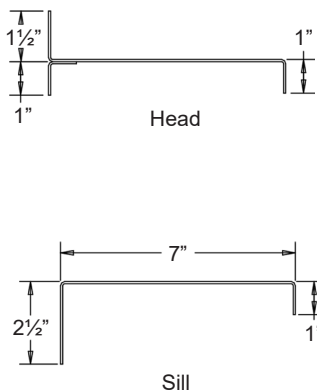
Actuators - Electric, Pneumatic, Manual, etc.

Notes

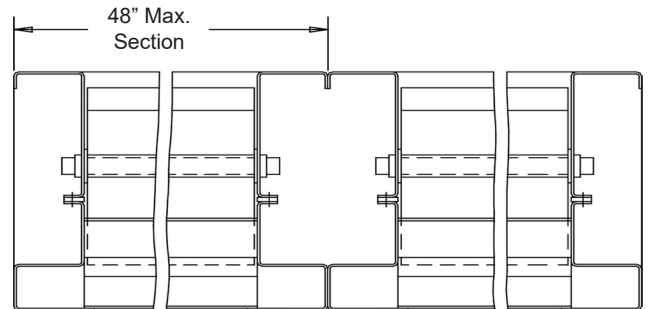
1. ½" nominal deduction will be made to the opening size given.
2. Approximate shipping weight is 9.0 lbs./sq.ft.

Louver Sizes

Min Panel	Max Single Panel
12"W x 14"H	48"W x 96"H



Flange Frame Available



Item #	Qty	Width	Height	Width	Height	Mullion	Type	Location	Union Made
		Opening Size		Louver Size			Screens		
Arch. / Eng.:						EDR:		ECN:	Job:
Contractor:									
Project:						Date:		DWN:	DWG:

In the interest of product development, Cesco Products reserves the right to make changes without notice.



450 Riverside Dr • Wyalusing PA, 18853
Phone: 570-746-1888 • Fax: 570-746-9286
www.cescoproducts.com