

Standard Construction and Materials

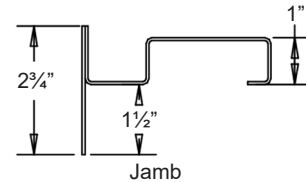
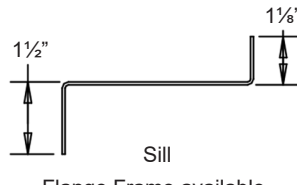
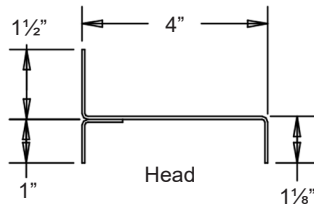
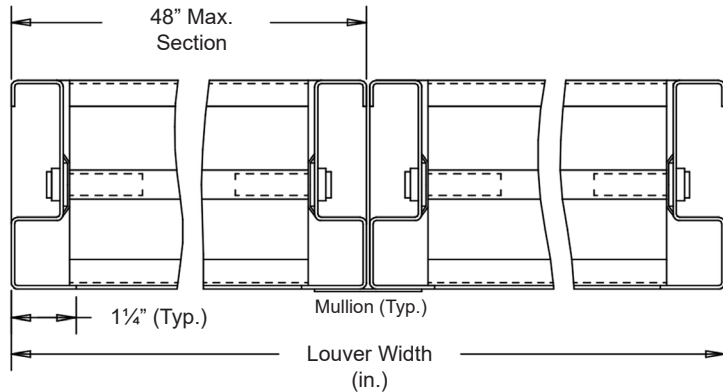
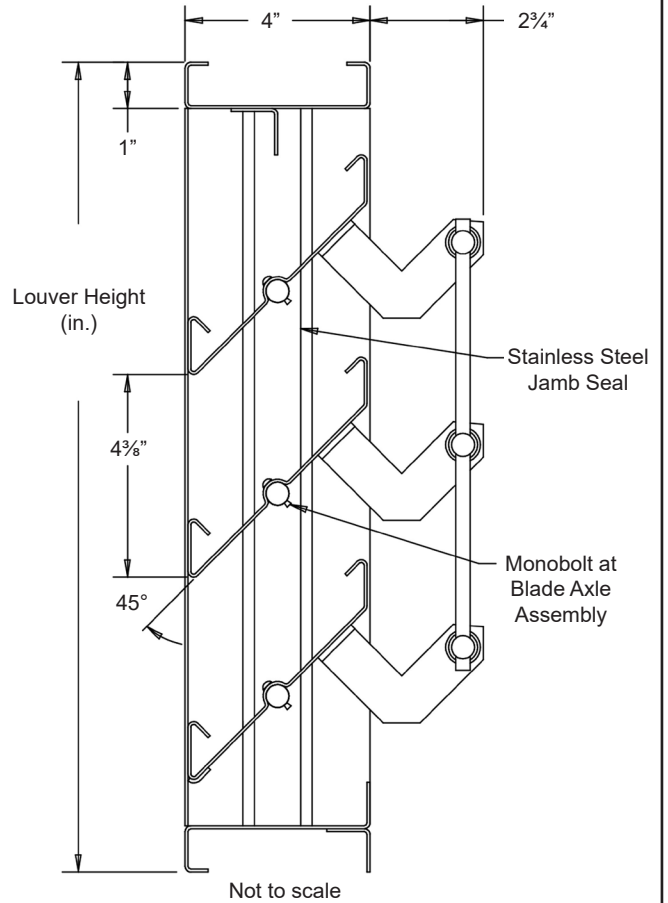
- FRAME:** 18-GA. galvanized steel, channel type.
- BLADE:** 18-GA. galvanized steel.
- SHAFT:** 1/2" diameter plated steel stub mechanically fastened to blade with a monobolt.
- BEARINGS:** Self lubricated bronze Oilite.
- LINKAGE:** Chevron type formed bracket of 1/8" thick plated steel. Trunnion is a machined pivot of plated steel with a 5/16" diameter rod.
- SEALS:** Stainless steel at jambs.
- SCREEN:** On exterior face, (when indicated)
1/2" sq. mesh, 19-GA. galvanized steel (.041").
- FINISH:** Mill.

Options

- Frames and Blades of other gauges
- Materials - 304 or 316 Stainless steel, Copper, Aluminum, etc.
- Neoprene blade edge seals
- Finishes - Enamels, Epoxies, etc.
- Screens - Insect screen 1/16" aluminum mesh, .011",
-or- 1/2" flattened aluminum, .051" thk.,
-or- 1/4" sq. mesh, 18-GA. galvanized steel, .047",
-or- 1/2" sq. mesh, 16-GA. stainless steel, .063".

Notes

1. 1/2" nominal deduction will be made to the opening size given.
2. Approximate shipping weight is 7.5 lbs./sq.ft.



| Item # | Qty | Width | Height | Width | Height | Mullion | Type | Location | |
|---------------|-----|--------------|--------|-------------|--------|---------|---------|----------|------------|
| | | Opening Size | | Louver Size | | | Screens | | Union Made |
| Arch. / Eng.: | | | | | | EDR: | ECN: | | Job: |
| Contractor: | | | | | | | | | |
| Project: | | | | | | Date: | DWN: | DWG: | |

In the interest of product development, Cesco Products reserves the right to make changes without notice.



450 Riverside Dr • Wyalusing PA, 18853
 Phone: 570-746-1888 • Fax: 570-746-9286
 www.cescoproducts.com

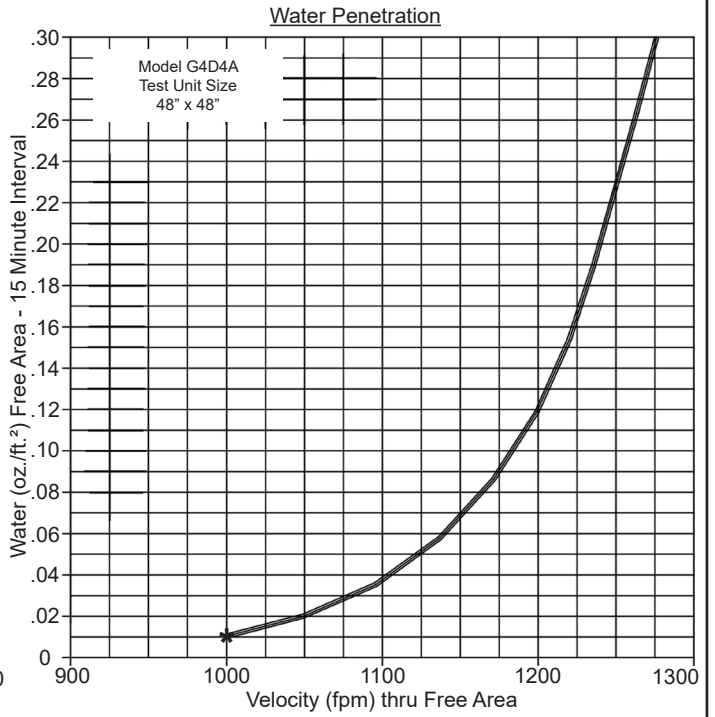
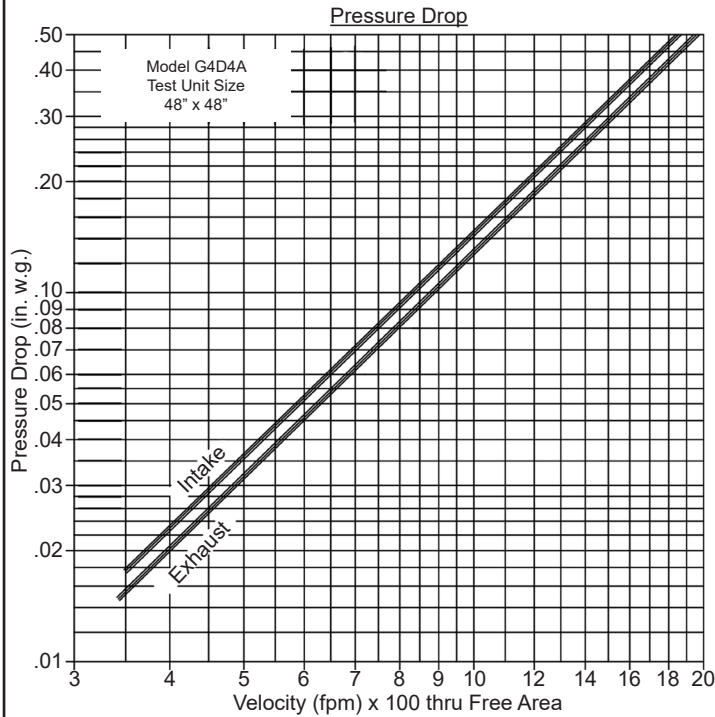
Performance Data

Pressure Drop: .16 in. w.g. at 1050 fpm

Free Area: 7.03 sq.ft. = 43.9% for 48"W x 48"H sample tested in accordance with AMCA Standard 500-L.

Beginning Point of Water Penetration: 1002 (fpm)

Ratings do not include the effects of a screen.



1002 (FPM) Beginning Point of Water Penetration.

Intake air converted to standard air density.
Tested to AMCA Standard 500-L, Figure 5.5.

Free Area (sq. ft.)

| | | Width (in.) | | | | | | | | |
|--------------|-----|-------------|------|------|------|-------|-------|-------|-------|-------|
| | | 12" | 18" | 24" | 30" | 36" | 42" | 48" | 54" | 60" |
| Height (in.) | 12" | .21 | .34 | .47 | .60 | .73 | .86 | .99 | 1.12 | 1.26 |
| | 24" | .63 | 1.03 | 1.43 | 1.83 | 2.23 | 2.63 | 3.03 | 3.34 | 3.83 |
| | 36" | 1.08 | 1.76 | 2.45 | 3.13 | 3.81 | 4.50 | 5.18 | 5.86 | 6.54 |
| | 48" | 1.47 | 2.40 | 3.33 | 4.26 | 5.19 | 6.12 | 7.03 | 7.98 | 8.91 |
| | 60" | 1.85 | 3.01 | 4.18 | 5.35 | 6.61 | 7.68 | 8.84 | 10.01 | 11.18 |
| | 72" | 2.28 | 3.72 | 5.16 | 6.60 | 8.04 | 9.48 | 10.92 | 12.36 | 13.80 |
| | 84" | 2.73 | 4.45 | 6.18 | 7.90 | 9.62 | 11.35 | 13.07 | 14.79 | 16.52 |
| | 96" | 3.11 | 5.08 | 7.04 | 9.00 | 10.97 | 12.93 | 14.90 | 16.86 | 18.83 |