

**Standard Construction and Materials**

- FRAME:** 1/4" hot rolled steel.
- BLADE:** 1/4" structural steel angle.
- FRAME DEPTH:** 8" deep.
- SCREEN:** 1/2" x 0.051" expanded steel - located on interior.
- FREE AREA:** 53% - 8.47 sq. ft. (48" x 48" Louver)
- PSF RATING:** 332.5 PSF Design Load
- TEST METHODS:** ICC 500, FEMA 361, ASTM E 330, ASTM E 1886

**AVAILABLE FINISHES:** Mill, Kynar (Below 15 sq.ft.), Acrylic (Over 15 sq.ft.)

**Test Methods**

**ICC 500-2008**, Standard for the Design and Construction of Storm Shelters.

**FEMA 361 3rd Edition**, Section B8 Test Methods for Impact and Pressure Testing.

**ASTM E 330-02**, Test Method for Structural Performance of Windows, Curtain Walls and Doors by Uniform Static Air Pressure Difference.

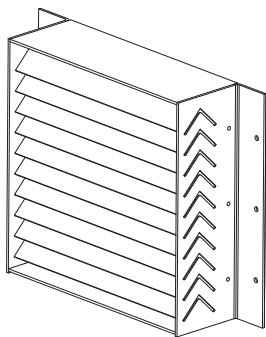
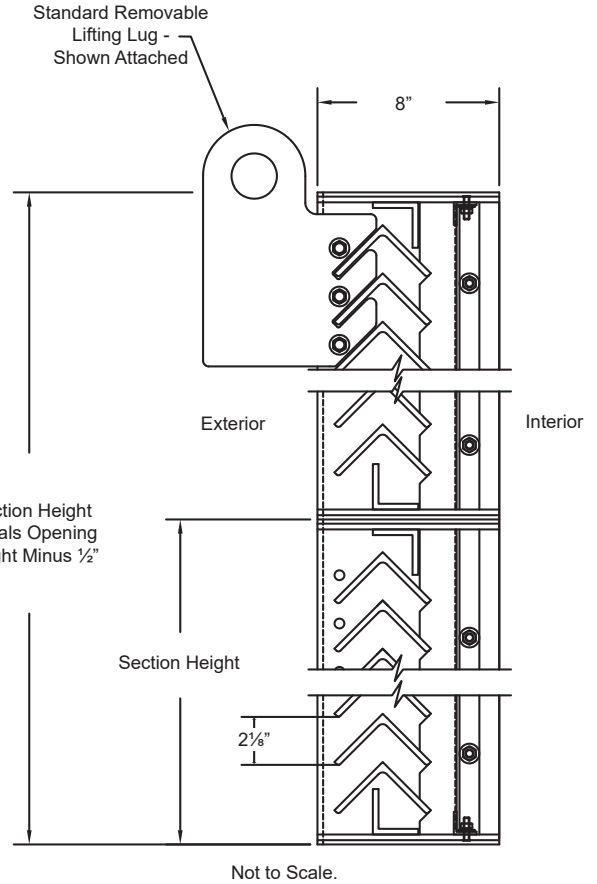
**ASTM E 1886-05**, Standard Test Method for Performance of Exterior Windows, Curtain Walls, Doors, and Impact Protective Systems Impacted by Missile and Exposed to Cyclic Pressure Differentials.

**Notes**

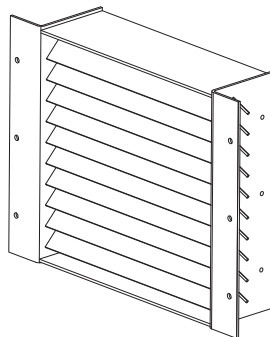
1. 1/2" nominal deduction will be made to the opening size given.
2. Approximate shipping weight is 40.0 lbs./sq.ft.

**Louver Sizes**

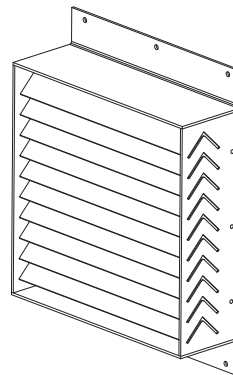
Min Panel	Max Single Panel
12"W x 12"H	96"W x 76"H (Continuous Wide) 76"W x 120"H (Continuous High)



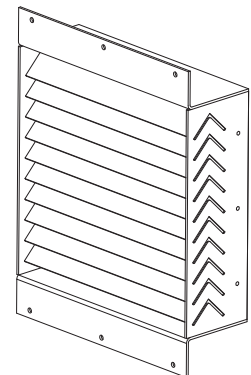
Cantilevered Mount  
Flange at Jamba



Recessed Mount  
Flange at Jamba



Cantilevered Mount  
Flange at Head & Sill



Recessed Mount  
Flange at Head & Sill

										
<u>Item #</u>	<u>Qty</u>	<u>Width</u>	<u>Height</u>	<u>Width</u>	<u>Height</u>	<u>Mullion</u>	<u>Type</u>	<u>Location</u>	<u>Union Made</u>	
		<u>Opening Size</u>		<u>Louver Size</u>		<u>Screens</u>				
<u>Arch. / Eng.:</u>				<u>EDR:</u>				<u>ECN:</u>	<u>Job:</u>	
<u>Contractor:</u>										
<u>Project:</u>				<u>Date:</u>		<u>DWN:</u>		<u>DWG:</u>		

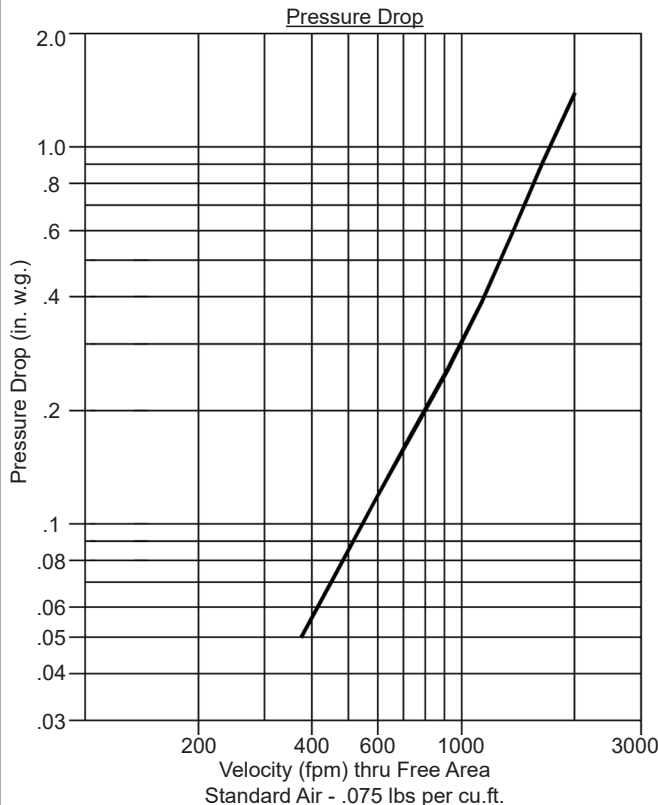
In the interest of product development, Cesco Products reserves the right to make changes without notice.



450 Riverside Dr • Wyalusing PA, 18853  
 Phone: 570-746-1888 • Fax: 570-746-9286  
 www.cescoproducts.com

Performance Data

		Free Area sq.ft. (sq.m.)								
		Width in. (mm)								
		12" (305)	24" (610)	36" (914)	48" (1219)	60" (1524)	72" (1829)	76" (1930)	84" (2134)	96" (2438)
Height in. (mm)	12" (305)	0.36 (0.034)	0.91 (0.084)	1.47 (0.137)	2.02 (0.187)	2.56 (0.283)	3.13 (0.290)	3.31 (0.307)	3.67 (0.341)	4.22 (0.392)
	24" (610)	0.75 (0.070)	1.88 (0.174)	3.04 (0.283)	4.17 (0.387)	5.29 (0.492)	6.46 (0.600)	6.83 (0.635)	7.58 (0.704)	8.71 (0.809)
	36" (914)	1.14 (0.106)	2.84 (0.264)	4.61 (0.428)	6.32 (0.587)	8.02 (0.745)	9.79 (0.910)	10.36 (0.963)	11.50 (1.068)	13.21 (1.227)
	48" (1219)	1.53 (0.142)	3.81 (0.354)	6.18 (0.574)	8.47 (0.787)	10.76 (0.999)	13.13 (1.219)	13.89 (1.290)	15.41 (1.432)	17.71 (1.645)
	60" (1524)	1.91 (0.178)	4.78 (0.444)	7.75 (0.720)	10.62 (0.987)	13.49 (1.253)	16.46 (1.529)	17.42 (1.618)	19.33 (1.795)	22.21 (2.063)
	72" (1829)	2.30 (0.214)	5.75 (0.534)	9.32 (0.866)	12.77 (1.186)	16.22 (1.507)	19.79 (1.839)	20.94 (1.946)	23.24 (2.159)	26.70 (2.481)
	76" (1930)	2.43 (0.226)	6.07 (0.564)	9.85 (0.915)	13.49 (1.253)	17.13 (1.591)	20.90 (1.942)	22.12 (2.055)	27.15 (2.522)	31.20 (2.898)
	84" (2134)	2.69 (0.250)	6.72 (0.624)	10.89 (1.012)	14.92 (1.386)	18.95 (1.760)	23.13 (2.148)	24.47 (2.273)	31.07 (2.886)	31.20 (2.898)
	96" (2438)	3.08 (0.286)	7.69 (0.714)	12.46 (1.158)	17.07 (1.586)	21.68 (2.014)	26.46 (2.458)	28.00 (2.601)	34.89 (3.250)	35.70 (3.316)
	108" (2743)	3.46 (0.322)	8.65 (0.804)	14.03 (1.303)	19.22 (1.786)	24.41 (2.268)	29.79 (2.767)	31.53 (2.929)		
120" (3048)	3.85 (0.358)	9.62 (0.894)	15.60 (1.449)	21.37 (1.986)	27.15 (2.522)	33.13 (3.077)	35.05 (3.256)			



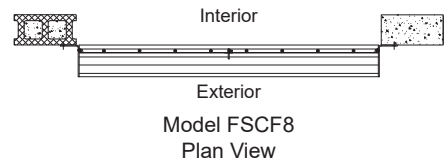
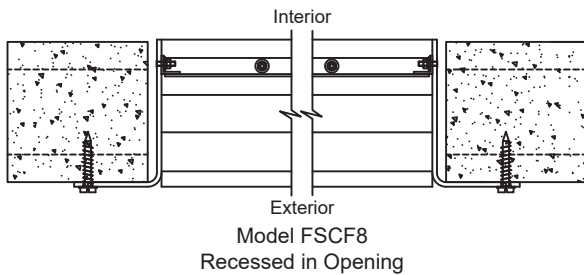
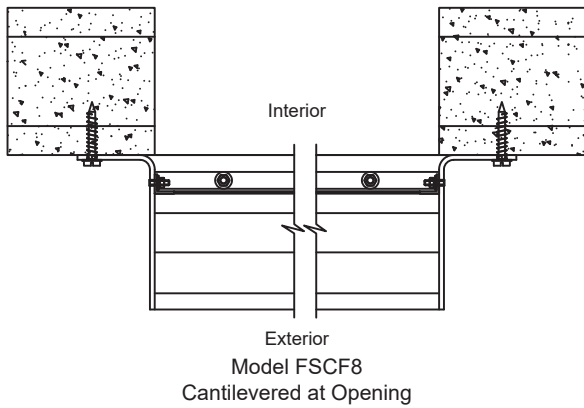
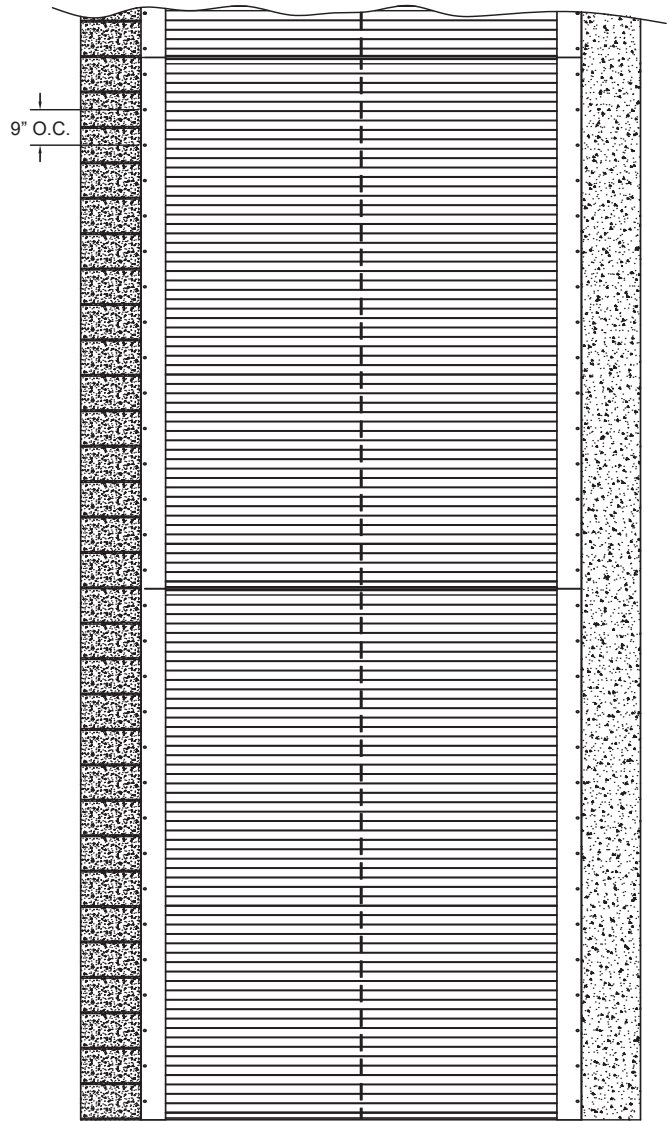
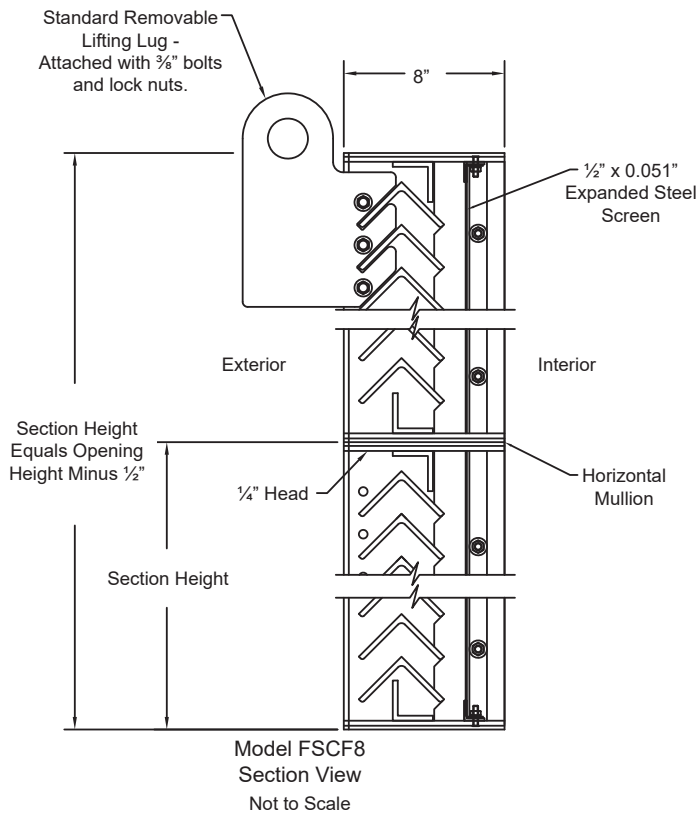
Ratings do not include the effect of a screen.  
Tests based on a 48" x 48" test size.

Fastener Schedule

Anchor Type	Substrate	Minimum Embedment	Minimum Edge Dist.
(1) ½" x 3" Red Head LDT	CMU	2½"	3¼"
(1) ½" x 3" Red Head LDT	Concrete	2½"	3¼"
(2) 2" x ½" Grade 5 Bolt	Steel	Full	¾"

(1) Concrete screws shall be Red Head LDT Zinc Coated Concrete Screws.  
(2) Bolts shall be a minimum Grade 5.

Louver Mounting Details



Louver Mounting Details

