

Standard Construction and Materials

Formed Aluminum Equipment Support

SHELL &

BASEPLATE: .063" thick (nominal) aluminum alloy 3003-H14. All seams are fully welded and sprayed with protective coating.

INSULATION: 1" semi-rigid fiberglass.

CANT: Mitered 3" x 3" integral cant.

REINFORCEMENTS: On 12" centers.

NAILER: Varies by width, factory installed.

FINISH: Mill.

Formed Steel Equipment Support

SHELL &

BASEPLATE: 18 GA. galvanized steel. All seams are fully welded and sprayed with protective coating.

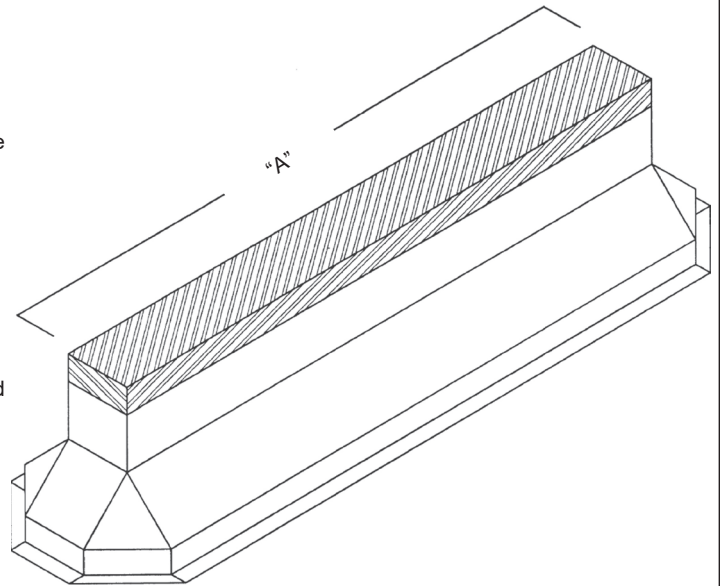
INSULATION: 1" semi-rigid fiberglass.

CANT: Mitered 3" x 3" integral cant.

REINFORCEMENTS: On 12" centers.

NAILER: Varies by width, factory installed.

FINISH: Mill.



Options

Aluminum Material - Available in .081" - .125" thick 3003-H14 alloy

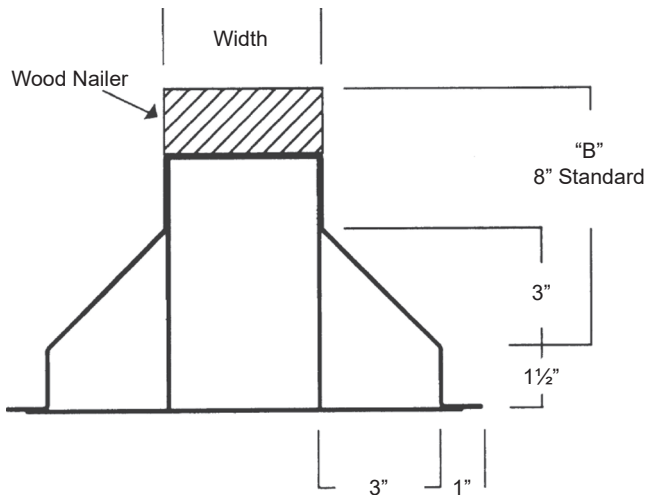
Steel Material - Available in various gauges of galvanized, galvanneal or stainless

Pitched or Peaked - In conjunction with the overall dimensions, both the height rise, specified in linear inches per foot (ex: 3" in 12") and the direction of the pitch must be specified.

Counterflashing - A removable metal cap fabricated of the same material as the equipment support provides for an effective method of attaching roofing felts.

Gasket - 1/4" thick polyurethane foam gasket can be installed, lining the entire top perimeter. Gasket can be used in place of, or in addition to a wood nailer.

Finishes - A wide selection of finishes include baked enamel, epoxy, or prime coat. Aluminum curb finishes include Kynar, clear or color anodize.



Notes

1. "A" and "B" are opening dimensions.
2. If height or width exceed 90", multi-section construction may be required.

Equipment Support Width

Nominal Width	Actual Nailer Width
4"	3 1/2"
6"	5 1/2"
8"	7 1/2"
10"	9 1/2"
12"	11 1/2"

Item #	Qty	"A"	"B"	Width	Aluminum	Steel	Height Rise	Direction	
Opening Dimensions					Material		Pitch / Peak		Union Made
Arch. / Eng.:				EDR:	ECN:	Job:			
Contractor:									
Project:				Date:	DWN:	DWG:			

In the interest of product development, Cesco Products reserves the right to make changes without notice.



450 Riverside Dr • Wyalusing PA, 18853
 Phone: 570-746-1888 • Fax: 570-746-9286
 www.cescoproducts.com