


For Volume Control Applications


Standard Construction and Materials

- FRAME:** 5½" x ¾" x 16 GA. galvanized steel hat channel. A flat head and sill are used for sizes less than or equal to 13" high.
- BLADES:** 20 GA galvanized steel double skinned (equal to 14 GA.), parallel action.
- AXLES:** Plated solid steel stub.
- BEARINGS:** Oil impregnated bronze.
- LINKAGE:** Plated steel angle and crank plates with stainless steel pivots, in-jamb type.
- STOPS:** 18 GA. galvanized steel at head and sill.
- BLADE SEALS:** Silicone.
- JAMB SEALS:** Stainless steel.
- SLEEVE:** Minimum 20 GA. galvanized steel by 18" long.
- CAULKING:** Hardcast Irongrip 601 or UL-listed equivalent.
- FINISH:** Mill on galvanized steel.
- ACTUATOR:** 24 VAC/DC Electric with heat response device (EHRD). Factory-installed for Power-Open/Spring-Close (fail close) operation. External left hand mounted as viewed from jack shaft side of damper.

UNDERWRITERS LABORATORIES INC.®
 CLASSIFIED DYNAMIC FIRE AND SMOKE DAMPER
 FIRE RESISTANCE RATING 3 HR
 LEAKAGE RESISTANCE CLASS II



FILE # R6462



This combination fire/smoke damper meets the construction and performance requirements of:

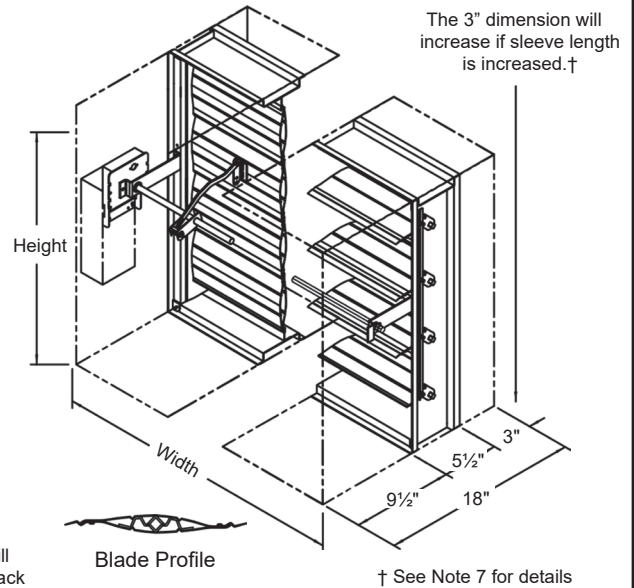
- Underwriters Laboratories Inc. Standards 555 and 555S
- National Fire Protection Association Standards 80 and 90A
- ICC's International Building Code
- New York City MEA Listing #111-99-M
- California State Fire Marshal Listing #3225-1328:118
- Underwriters Laboratories Inc. Approved for dual direction airflow and dynamic conditions.
- Underwriters Laboratories Inc. Classified for use in fire resistive ratings of 3 hours and longer.
- Underwriters Laboratories Inc. Classified for use in smoke control systems for Leakage Class II and 250°F .
- Actuators must be arranged to operate automatically, must fail closed upon loss of power, and must be controlled by a smoke detection system.

Options

- Exact Size (no undercut)
- Right Hand and/or Internal Actuator Mounting Locations (Restrictions Apply)
- Dual Position Indication (IDPI) Switches
- Sensotherm Re-Openable Heat Response Device (ESOT) for Electric Actuator
- Model SM-501 Flow-Rated Smoke Detector
- Model 2151 No-Flow Smoke Detector (12" Minimum Damper Height)
- Remote Test Box
- Momentary Test Switch
- Transformers
- Tab-Lock Retaining Angles
- Stainless Steel Bearings
- Stainless Steel Axles
- Sleeves of Various Depths and Gauge Thicknesses (restrictions apply)
- No Sleeve (restrictions apply)
- Round or Oval Transitions
- Security Bars
- Short-width (less than 8") and/or short-height (less than 6") transitions

Notes

1. Nominal deductions will be made to the opening size given.
2. Dampers greater than or equal to 12" in height with factory mounted SM-501 smoke detectors require a minimum 19" deep sleeve (10½" on the actuator side). Detectors will be mounted on the side of the damper opposite actuator.
3. Dampers less than 12" in height with factory mounted SM-501 smoke detectors require a minimum 20 deep sleeve (11½" on the actuator side). Detectors will be mounted on the bottom or top of damper.
4. Smoke Detectors can be ordered for field mounting with standard 18" deep sleeve.
5. Dampers for horizontal installation can only be mounted in a fire barrier constructed of masonry/concrete materials.
6. Actuator control signal is 2 -10 VDC or with additional of 500 ohm resistor (by other) is 4-20 mA.
7. Unless ordered with a smoke detector, the 3" sleeve setback on the non-jackshaft side will increase when sleeve lengths greater than 18" are ordered. Custom non-jackshaft side setback dimensions must be specified on order. When ordered with a smoke detector, additional sleeve length is added to jackshaft side. If ordered with smoke detector and additional sleeve length (beyond requirements of notes 2 and 3), additional sleeve length will be added to jackshaft side unless custom setback dimension is otherwise specified on order.



Damper Sizes

Damper Style	Temp. Rating (°F)	Velocity and Pressure	Minimum Panel (Horz & Vert)	Horizontal and Vertical	
				Max Panel	Max Assy
No Transition	250°	2000 FPM, 4in. w.g.	8"W x 6" frame	24"W x 24"H frame	60"W x 48"H frame
C-round or C-square			4" dia. duct or 4"W x 4"H duct (8"W x 6"H frame)	28" dia. duct or 28"W x 28"H duct	46" dia. duct or 46"W x 46"H duct
C-oval or C-rectangle			4"W x 4" duct (8"W x 6"H frame)	22"W x 22"H duct	58"W x 46"H duct

In the interest of product development, Cescro Products reserves the right to make changes without notice.



450 Riverside Dr • Wyalusing PA, 18853
 Phone: 570-746-1888 • Fax: 570-746-9286
 www.cescroproducts.com

Operational Rating

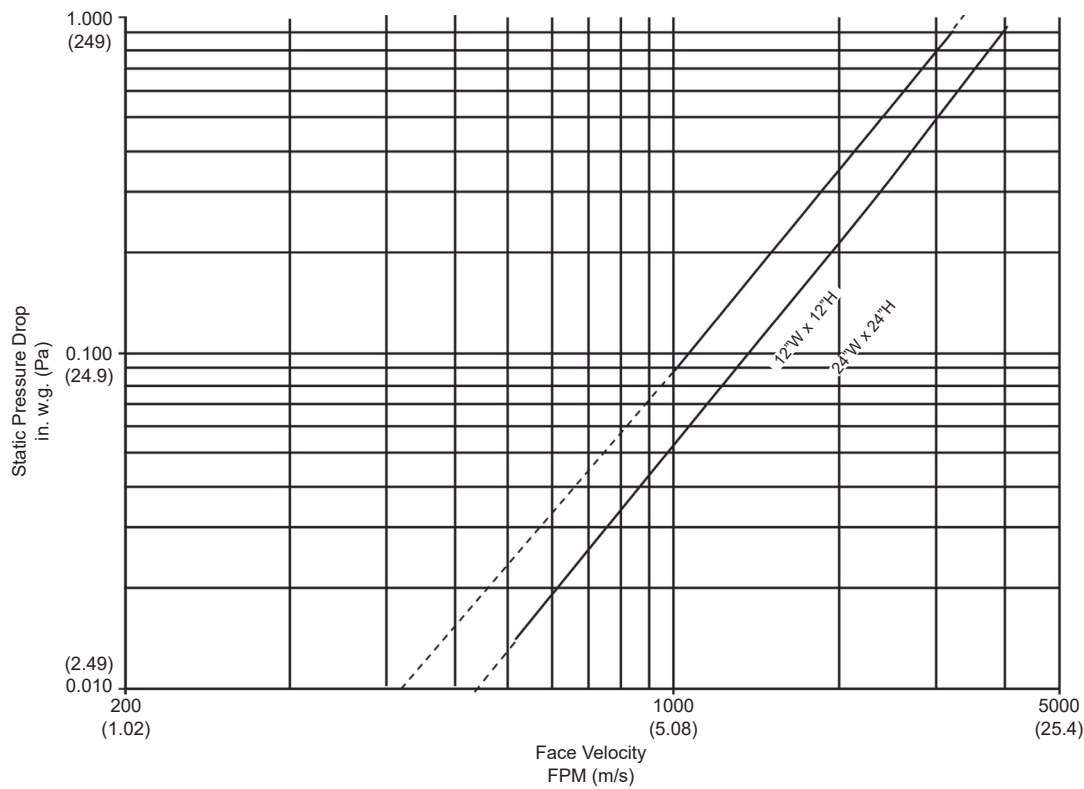
Maximum Differential Pressure: 4 in. wg (6 in. wg for selected size/actuators combinations)
 Maximum Velocity: 2000 fpm (4000 fpm for selected size/actuator combinations)

Leakage Rating

UL Leakage Class II
 10 cfm per sq. ft. maximum @ 1 in. wg
 20 cfm per sq. ft. maximum @ 4 in. wg
 24.5 cfm per sq. ft. maximum @ 6 in. wg

Pressure Drop Rating

The Pressure drop data shown below is based on laboratory conditions. The test setup does not take into account elbows or other duct fittings that are part of every actual duct system. The configuration of the actual duct system immediately upstream and downstream of the damper often contributes more pressure loss than the damper itself.



This product was tested in accordance with AMCA Standard 500D, Figure 5.3.
 Intake air converted to standard air density.

Item #	Qty	Damper Size	Horizontal	Vertical	250°F	350°F	Velocity	Pressure	
Arch. / Eng.:			Orientation		Temp. Rating		Operational Rating		Union Made
Contractor:					EDR:		ECN:		Job:
Project:					Date:		DWN:		DWG:



450 Riverside Dr • Wyalusing PA, 18853
 Phone: 570-746-1888 • Fax: 570-746-9286
 www.cescoproducts.com