

Standard Construction and Materials

FRAME: .081" thick (nominal) extruded aluminum, 6063-T52/T6 alloy. Frame also available in .125" thickness (nominal).

BLADE: .081" thick (nominal) extruded aluminum, 6063-T52/T6 alloy. Blades approximately 3¹³/₁₆" on centers.

LOUVER FACE: Full width sill with head and blades contained within jambs

SCREENS: (When indicated, in a removable frame.)

- 1/2" flattened aluminum (.051" thick),
- or- 1/2" sq. mesh, intermediate double-crimped aluminum wire, .063" dia.,
- or- 18/16 mesh, .011" dia. aluminum wire, insect screen.

FINISH: Mill

Options

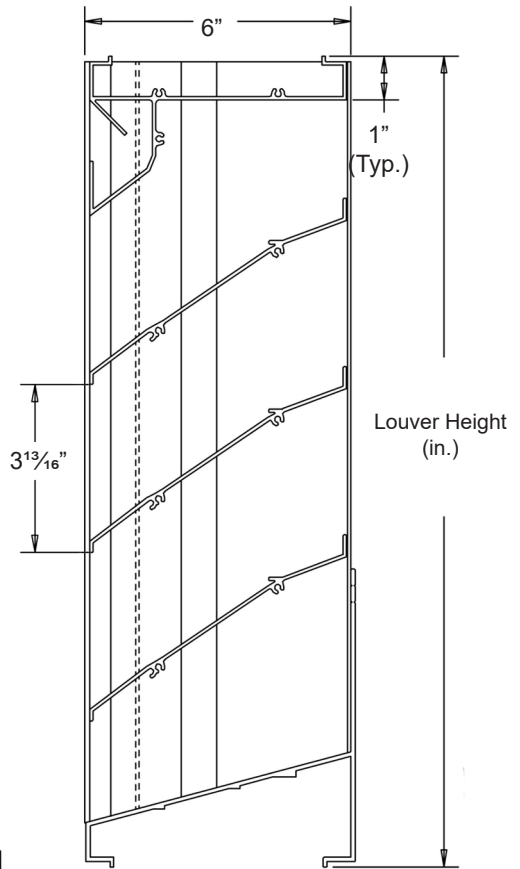
Finish - Baked Enamel, Kynar, Anodize

Notes

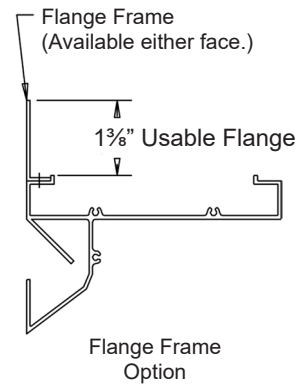
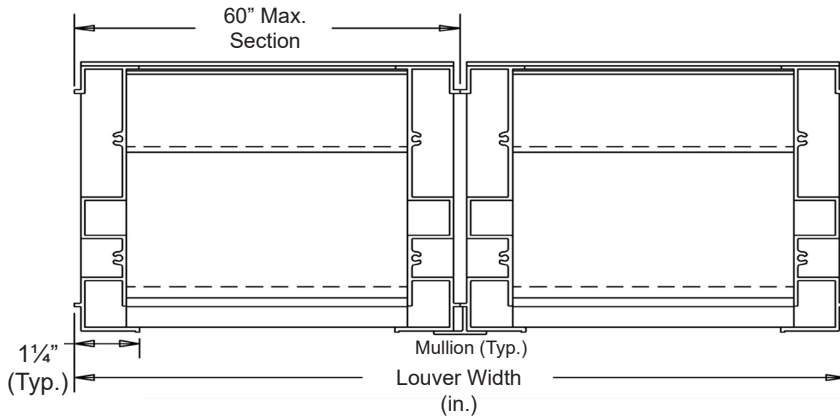
1. 1/2" nominal deduction will be made to the opening size given.
2. Approximate shipping weight is 4.0 lbs./sq.ft.

Louver Sizes

Min Panel	Max Single Panel
12"W x 12"H	60"W x 96"H



Not to scale.



Item #	Qty	Width	Height	Width	Height	Mullion	Type	Location			Union Made	
		Opening Size		Louver Size			Screens					
Arch. / Eng.:						EDR:		ECN:		Job:		
Contractor:												
Project:						Date:		DWN:		DWG:		

In the interest of product development, Cesco Products reserves the right to make changes without notice.



450 Riverside Dr • Wyalusing PA, 18853
 Phone: 570-746-1888 • Fax: 570-746-9286
 www.cescoproducts.com

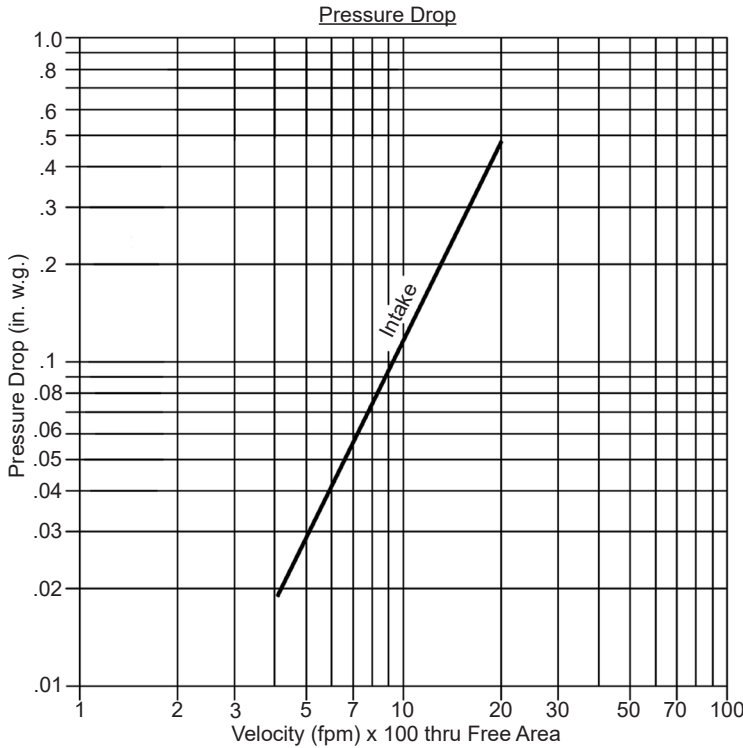
Performance Data

Pressure Drop: .12 in. w.g. at 1000 fpm (intake)

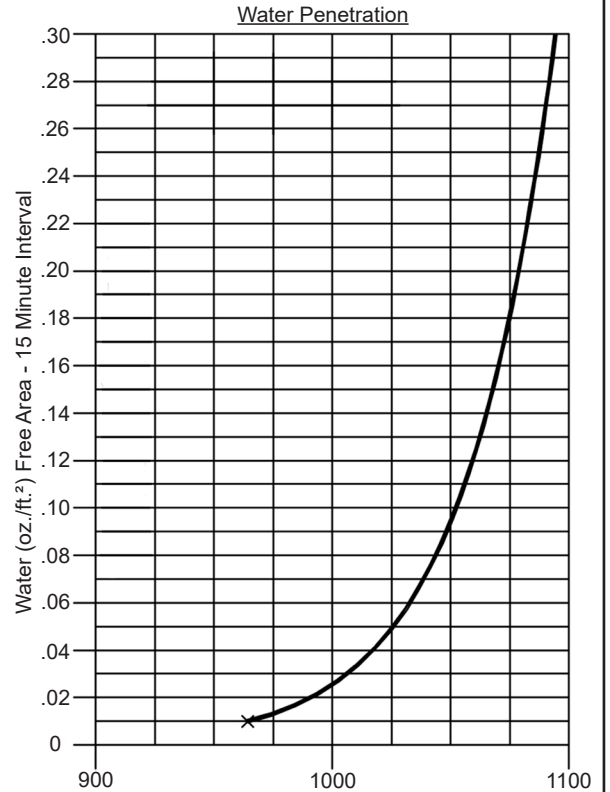
Free Area: 9.82 sq.ft. = 61% for 48"W x 48"H sample tested in accordance with AMCA Standard 500-L.

Beginning Point of Water Penetration: 964 fpm

Ratings do not include effects of a screen.



Intake air converted to standard air density.
Tested to AMCA Standard 500-L, Figure 5.5.



964 (FPM) Beginning Point of Water Penetration.

Free Area (sq.ft.)

		Width (in.)								
		12"	18"	24"	30"	36"	42"	48"	54"	60"
Height (in.)	12"	.29	.47	.66	.84	1.02	1.21	1.39	1.57	1.75
	24"	.88	1.44	2.00	2.55	3.11	3.67	4.22	4.78	5.34
	36"	1.47	2.40	3.33	4.26	5.19	6.12	7.04	7.97	8.90
	48"	2.07	3.37	4.68	5.99	7.29	8.60	9.82	11.21	12.52
	60"	2.64	4.30	5.97	7.63	9.30	10.96	12.63	14.29	15.96
	72"	3.23	5.28	7.32	9.36	11.41	13.45	15.49	17.54	19.58
	84"	3.83	6.25	8.68	11.10	13.52	15.94	18.36	20.78	23.20
	96"	4.43	7.23	10.03	12.82	15.62	18.42	21.22	24.02	26.82



Cesco Products certifies that the Model CA6SHP shown herein is licensed to bear the AMCA seal. The ratings shown are based on tests and procedures performed in accordance with AMCA Publication 511 and comply with the requirements of the AMCA Certified Ratings Program. The AMCA Certified Ratings Seal applies to Water Penetration and Air Performance Ratings only.