

For use to 1 in. w.g. and 1500 FPM

Standard Construction and Materials

FRAME: 22 GA. galvanized steel, 7⁵/₈" deep with reinforcing ribs.

BLADE: 24 GA. galvanized steel.

SHAFT: 3/8" square aluminum, continuous length, with positive interlock to blade.

BEARINGS: Zytel plastic snap-in.

ACTUATOR: Nine (9) position locking hand quadrant, factory mounted.

TEMP LIMIT: 250°F.

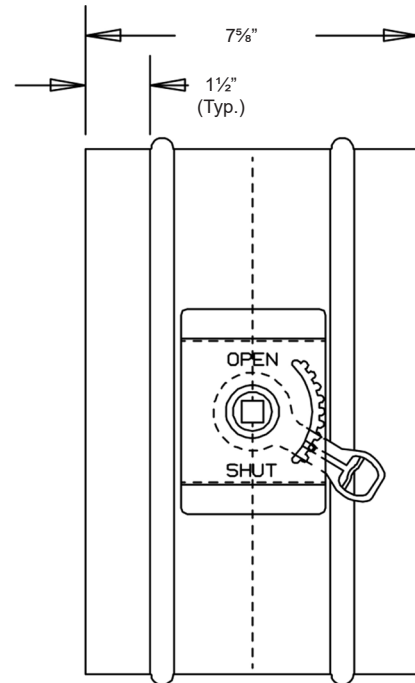
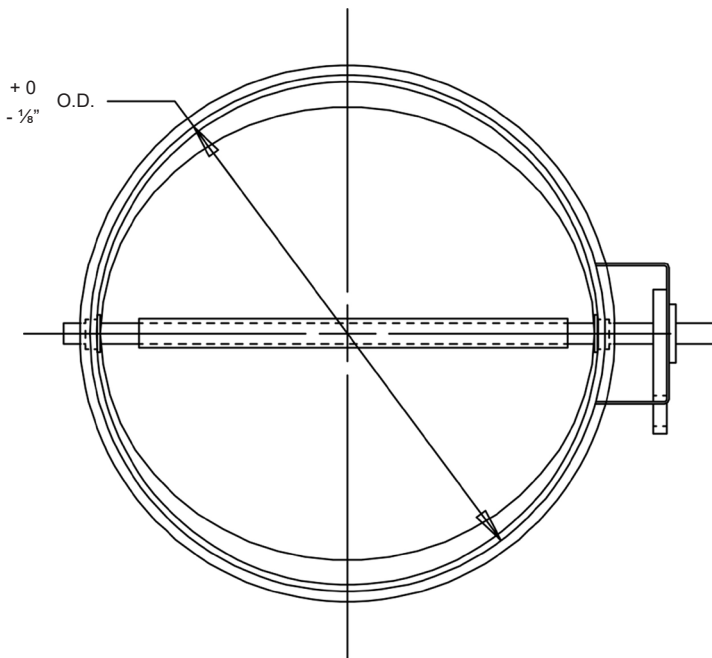
FINISH: Mill.

Notes

1. 1/4" nominal deduction will be made to the opening size given.
2. Round dampers are available in 1" increments only.
3. This damper is designed for manual balancing applications.
4. Rolled rib frame provides greater reinforcement, ease of installation, and a sealing joint.
5. To calculate approximate shipping weight (lbs./in.), use the following formula:
Diameter (in.) × 0.45 (lbs./in.)

Damper Sizes

Min Dia.	Max Dia.
4" O.D.	16" O.D.



Item #	Qty	Damper Size O.D.	Tagging	Remarks		
				Union Made		
Arch. / Eng.:			EDR:	ECN:	Job:	
Contractor:						
Project:			Date:	DWN:	DWG:	

In the interest of product development, Cesco Products reserves the right to make changes without notice.



450 Riverside Dr • Wyalusing PA, 18853
 Phone: 570-746-1888 • Fax: 570-746-9286
 www.cescoproducts.com