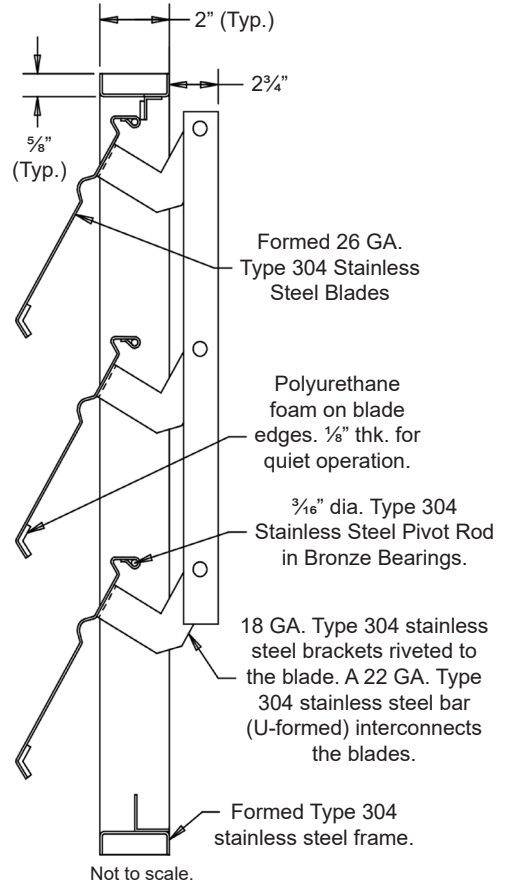


Backdraft Damper • 2" Deep • Single Thickness Blades • Pressure Relief Shutter • Stainless Steel

Standard Construction and Materials

- FRAME:** Standard 5/8" x 2" x 5/8" formed Type 304, 16 GA. stainless steel channel.
- BLADES:** 26 GA. Type 304 stainless steel, formed over a 3/16" dia. stainless steel rod.
- SEALS:** Polyurethane foam at blade edges, none at jambs.
- BEARINGS:** Bronze oilite.
- LINKAGE:** 18 GA. Type 304 stainless steel chevron bracket with a 22 GA. Type 304 steel linkage bar.



Options

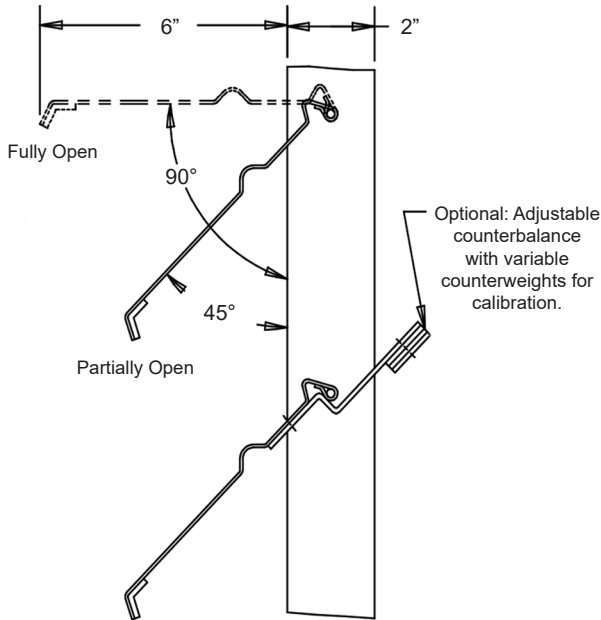
- No blade-to-blade linkage.
- Adjustable counterweights to assist or resist opening.
- Various types of bird and insect screens.

Notes

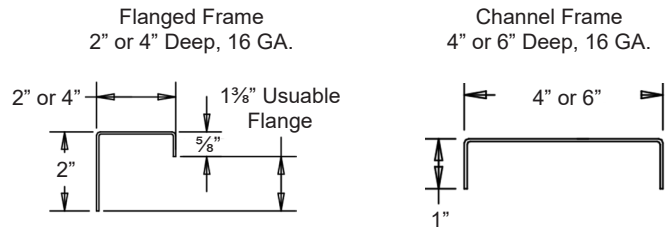
1. 1/4" nominal deduction will be made to the opening size given.
2. For counterweights, please specify airflow direction (horizontal, vertical up, or vertical down) and whether to the counterweight should assist or resist the damper opening.
3. Approximate damper weight is 3.5 lbs./sq.ft.

Damper Sizes

Min Panel	Max Single Panel
8"W x 8"H	36"W x 60"H



Optional Frames



Item #	Qty	Width	Height	Width	Height	Mullion	Counter Balance	Air Flow (Direction)	Union Made	
		Opening Size		Damper Size						
Arch. / Eng.:						EDR:	ECN:	Job:		
Contractor:										
Project:						Date:	DWN:	DWG:		

In the interest of product development, Cesco Products reserves the right to make changes without notice.



450 Riverside Dr • Wyalusing PA, 18853  
Phone: 570-746-1888 • Fax: 570-746-9286  
www.cescoproducts.com

Backdraft Damper • 2" Deep • Single Thickness Blades • Pressure Relief Shutter • Stainless Steel

■ Performance Data

