

Dynamic Fire Damper • 3 Hr. Rated • Single Thickness Blade • Horizontal and Vertical Mount • Non-Motorized • Galvanized Steel

**Standard Construction and Materials**

- FRAME:** 5½" x 7⁄8" x 16 GA. galvanized steel hat channel.
- BLADES:** 16 GA. galvanized steel, 6" nominal width, parallel action.
- AXLES:** Square, plated solid steel stub.
- BEARINGS:** Oil impregnated bronze.
- LINKAGE:** Plated steel angle and crank plates with stainless steel pivots in-jamb type.
- STOPS:** 18 GA. galvanized steel at head and sill.
- JAMB SEALS:** Stainless Steel.
- FINISH:** Mill.
- ACTUATOR:** Non-motorized spring closure mechanism with 165°F fusible link.

**UNDERWRITERS LABORATORIES INC.®**

CLASSIFIED DYNAMIC FIRE DAMPER  
FIRE RESISTANCE RATING 3 HR



FILE # R6462



This fire damper meets the construction and performance requirements of:

- Underwriters Laboratories Inc. Standards 555
- National Fire Protection Association Standards 80, 90A, 101
- ICC's International Building Code
- Underwriters Laboratories Inc. Approved for dual direction airflow and dynamic conditions.
- Underwriters Laboratories Inc. Classified for use in fire resistive ratings of 3 hours or more.

**Options**

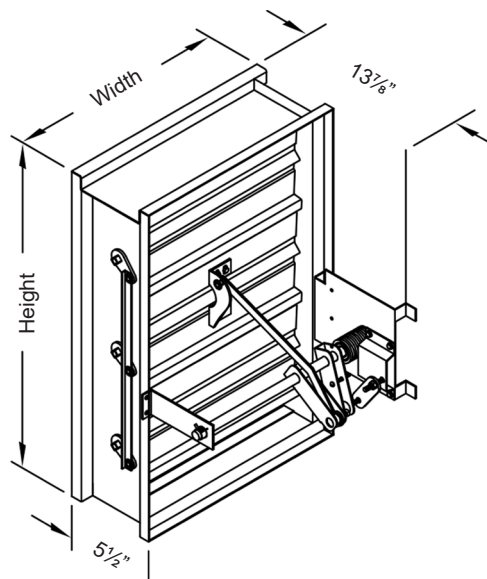
- 212°F fusible link
- Sleeve of various depths (18" minimum) and gauges
- Round, oval, and square/rectangular transitions
- Dual position indication package (see note #2)

**Notes**

1. Width and Height are opening dimensions. Dampers are provided ¼" undercut. Additional undercut may be required based on damper size, refer to installation instructions.
2. Optional auxiliary blade position indication switches are rated at 11A, ½ HP, 125VAC. These snap action switches are intended to make or break a circuit and will not provide variable or proportional resistance.

**Damper Sizes**

Orientation	Horz & Vert	2000 fpm, 4 in.wg				4000 fpm, 4 in.wg	
		Horizontal (floor)		Vertical (wall)		Horizontal (floor)	Vertical (wall)
Panels	Min Panel	Max Single Panel	Max Assy Panel	Max Single Panel	Max Assy Panel	Max Single Panel	Max Single Panel
Rectangular	4"W x 4"H (8"W x 8"H frame)	30"W x 48"H 36"W x 30"H	60"W x 48"H	36"W x 48"H	126"W x 48"H	30"W x 48"H 36"W x 30"H	36"W x 48"H
Round	6" dia. (8"W x 8"H frame)	28" dia.	46" dia.	34" dia.	46" dia.	28" dia.	34" dia.
Oval	6"W x 6"H (8"W x 8"H frame)	28"W x 46"H 34"W x 28"H	58"W x 46"H	34"W x 46"H	124"W x 46"H	28"W x 46"H 34"W x 28"H	34"W x 46"H



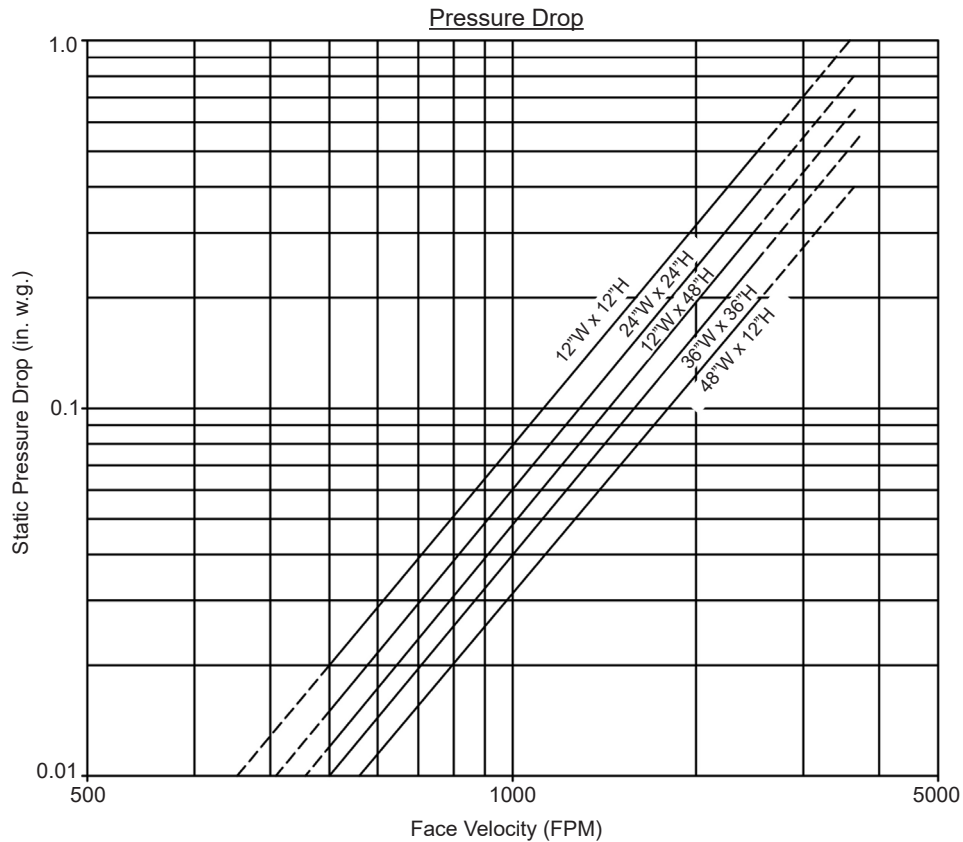
In the interest of product development, Cescro Products reserves the right to make changes without notice.




450 Riverside Dr • Wyalusing PA, 18853  
Phone: 570-746-1888 • Fax: 570-746-9286  
www.cescroproducts.com

Dynamic Fire Damper • 3 Hr. Rated • Single Thickness Blade • Horizontal and Vertical Mount • Non-Motorized • Galvanized Steel

■ Performance Data



Typical Performance Curve  
 Tested per AMCA Standard 500-D; Figure 5.3 (In-Duct Mount)  
 Intake air converted to standard air density.

										
Item #	Qty	Damper Size	Horizontal	Vertical	165°F	212°F				
			Orientation		Fusible Link				Union Made	
Arch. / Eng.:					EDR:		ECN:		Job:	
Contractor:										
Project:					Date:		DWN:		DWG:	



450 Riverside Dr • Wyalusing PA, 18853  
 Phone: 570-746-1888 • Fax: 570-746-9286  
 www.cescoproducts.com