

Standard Construction and Materials

FRAME: .125" thick (nominal) extruded aluminum.

BLADE: .125" thick (nominal) extruded aluminum.

SCREEN: 19/16 Mesh, .011" dia. aluminum wire, insect screen.

FINISH: Clear anodized finish is standard.

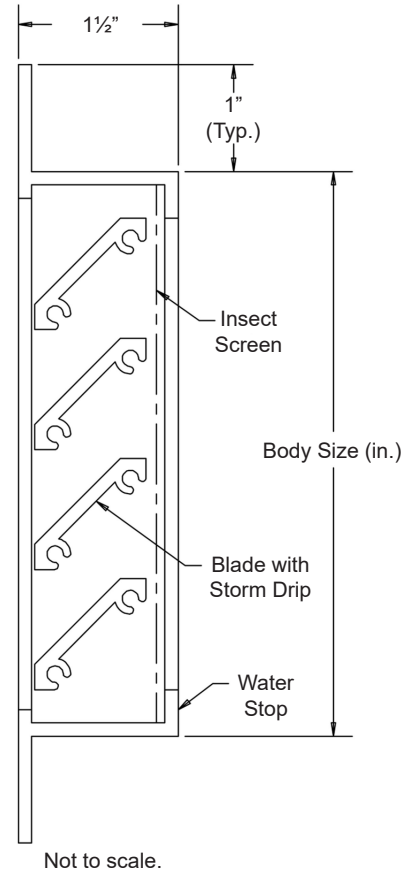
Options

Finish - Baked Enamel, Kynar, Anodize

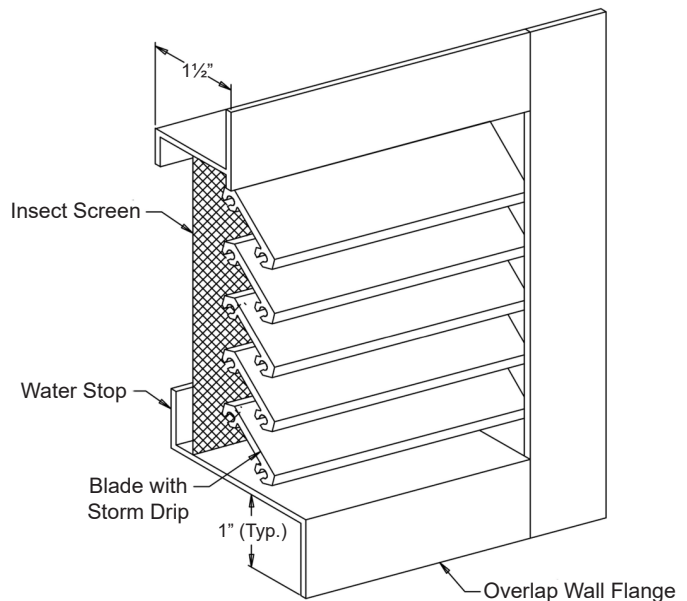
Notes

- Nominal deductions will be made from opening dimensions given unless otherwise stated.
- Many stock sizes are available for immediate shipment. Brick vents are also available in practically any width or height.

Stock Sizes Available		Minimum Opening Size	Free Area (Sq. In.)
Model No.	Body Size		
825	8½" x 2¾"	8½" x 2⅝"	4.18
847	8½" x 4¾"	8½" x 5"	11.52
808	8½" x 7¾"	8½" x 8"	19.58
162	16½" x 2¾"	17" x 2⅝"	8.64
164	16½" x 4¾"	17" x 5"	28.22
168	16½" x 7¾"	17" x 8"	40.32
123	12" x 2¾"	12½" x 2⅝"	6.34
125	12" x 4¾"	12½" x 5"	17.28
244	24" x 4¾"	24½" x 5"	39.02
248	24" x 7¾"	24½" x 8"	58.75



For custom size Brick Vents, contact customer service for details.



For handwritten orders, use the schedule block on page 2.

In the interest of product development, Cesco Products reserves the right to make changes without notice.

