

# B-Pan Transition

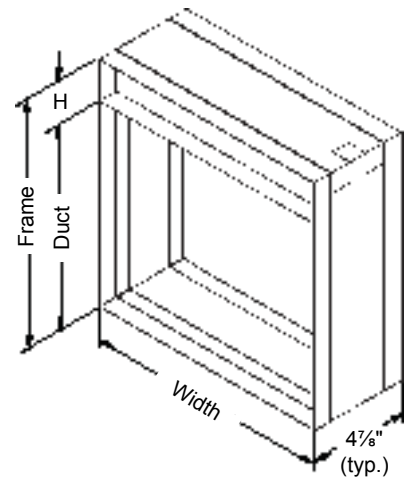
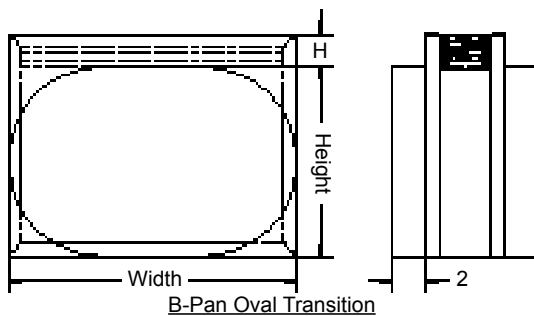
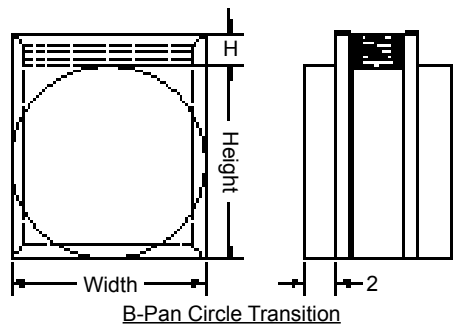
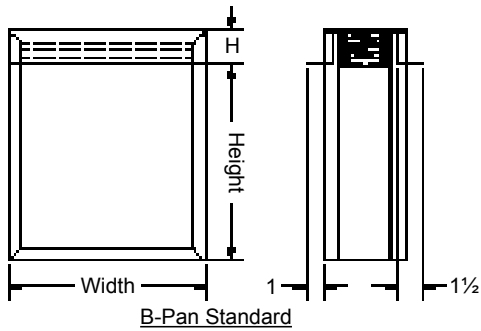
## Fire Damper Models: 15S, 15D, 30S, 30D

### APPLICATION

The B-Pan transition allows the blades to be out of air stream. The B-Pan transition also used for dampers less than the minimum frame size. Reference SI-SSFD for Stainless Steel construction sizes.

### PANEL SIZE LIMITATIONS

Orientation	Hor & Vert	2000 fpm, 4 in.wg (15D and 30D only)				4000 fpm, 4 in.wg	
		Horizontal		Vertical		Vertical Only	
		Maximum Single Panel	Maximum Assembly	Maximum Single Panel	Maximum Assembly	Maximum Single Panel	
Model	15SB	4"W x 3"H (duct) (4"W x 5"H frame)	48"W x 43"H (duct) (48"W x 48"H frame)	102"W x 43"H (duct) (102"W x 48"H frame) (36"W x 43"H section duct)	60"W x 55"H (duct) (60"W x 60"H frame)	120"W x 115"H (duct) (120"W x 120"H frame) (40"W x 60"H section duct)	not available
	30SB	4"W x 3"H (duct) (4"W x 5"H frame)	48"W x 43"H (duct) (48"W x 48"H frame)	72"W x 32"H (duct) (72"W x 36"H frame) (36"W x 32"H section duct)	36"W x 32"H (duct) (36"W x 36"H frame)	72"W x 68"H (duct) (72"W x 72"H frame) (36"W x 32"H section duct)	not available
	15DB	4"W x 3"H (duct) (4"W x 5"H frame)	24"W x 21"H (duct) (24"W x 24"H frame)	not available	36"W x 32"H (duct) (36"W x 36"H frame)	72"W x 32"H (duct) (72"W x 36"H frame) (18"W x 32"H section duct)	18"W x 32"H (duct) (18"W x 36"H frame)
	30DB	4"W x 3"H (duct) (4"W x 5"H frame)	24"W x 21"H (duct) (24"W x 24"H frame)	not available	36"W x 32"H (duct) (36"W x 36"H frame)	72"W x 32"H (duct) (72"W x 36"H frame) (18"W x 32"H section duct)	18"W x 32"H (duct) (18"W x 36"H frame)



Head Sizing Chart 15S, 30SH, 15D, 30D		Head Sizing Chart 30SV	
Duct Height	Head Height "H"	Duct Height	Head Height "H"
3" - 18"	2"	3" - 18"	2"
19" - 28"	3"	19" - 28"	3"
29" - 40"	4"	29" - 32"	4"
41" - 55"	5"	33" - 37"	2"
56" - 57"	3"	38" - 57"	3"
58" - 84"	4"	58" - 68"	4"
85" - 115"	5"		



# B-Pan Transition

## Fire Damper Models: 15S, 15D, 30S, 30D

15SB Free Area																15DB Free Area									
Duct Height	Duct Width															Duct Height	Duct Width								
	4	8	12	16	20	24	28	32	36	40	44	48	52	56	60		8	12	16	20	24	28	32	36	
4	.06	.2	.3	.4	.5	.5	.6	.7	.8	.9	1.0	1.1	1.2	1.3	1.4	8	.4	.6	.8	1.0	1.2	1.4	1.6	1.8	
8	.2	.4	.6	.8	1.0	1.2	1.4	1.6	1.8	2.0	2.2	2.4	2.5	2.8	3.0	12	.5	.9	1.2	1.5	1.8	2.1	2.4	2.7	
12	.2	.5	.9	1.2	1.5	1.8	2.1	2.4	2.7	3.0	3.4	3.7	4.0	4.3	4.6	16	.7	1.2	1.6	2.0	2.4	2.8	3.3	3.7	
16	.3	.7	1.2	1.6	2.0	2.4	2.8	3.3	3.7	4.1	4.5	5.0	5.4	5.8	6.2	20	.9	1.4	2.0	2.5	3.0	3.6	4.1	4.7	
20	.4	.9	1.4	2.0	2.5	3.0	3.6	4.1	4.7	5.2	5.7	6.3	6.8	7.3	7.9	24	1.1	1.7	2.4	3.0	3.7	4.3	5.0	5.6	
24	.4	1.1	1.7	2.4	3.0	3.7	4.3	5.0	5.6	6.3	6.9	7.5	8.2	8.8	9.5	28	1.2	2.0	2.8	3.5	4.3	5.0	5.8	6.5	
28	.5	1.2	2.0	2.8	3.5	4.3	5.0	5.8	6.5	7.3	8.0	8.8	9.5	10.3	11.0	32	1.5	2.3	3.2	4.0	4.9	5.8	6.7	7.5	
32	.6	1.5	2.3	3.2	4.0	4.9	5.8	6.7	7.5	8.4	9.3	10.1	11.0	11.9	12.7	30DB Free Area									
36	.7	1.6	2.6	3.6	4.6	5.5	6.5	7.5	8.5	9.5	10.4	11.4	12.4	13.4	14.4	Duct Width									
40	.7	1.8	2.9	4.0	5.1	6.2	7.3	8.4	9.4	10.5	11.6	12.7	13.8	14.9	16.0	8	12	16	20	24	28	32	36		
44	.8	2.0	3.2	4.4	5.6	6.8	8.0	9.2	10.4	11.6	12.8	14.0	15.2	16.4	17.6	8	.27	.44	.62	.79	.97	1.1	1.3	1.5	
48	.8	2.1	3.3	4.6	5.9	7.1	8.4	9.6	10.9	12.1	13.4	14.7	15.9	17.2	18.4	12	.44	.73	1.0	1.3	1.6	1.9	2.1	2.4	
52	.9	2.4	3.8	5.2	6.6	8.0	9.5	10.9	12.3	13.7	15.2	16.6	18.0	19.4	20.9	16	.62	1.1	1.4	1.8	2.2	2.6	3.0	3.4	
55	.9	2.4	3.9	5.3	6.8	8.3	9.8	11.3	12.8	14.3	15.8	17.3	18.8	20.3	21.8	20	.79	1.3	1.8	2.3	2.8	3.3	3.8	4.3	
																24	.97	1.6	2.2	2.8	3.4	4.1	4.7	5.3	
																28	1.1	1.9	2.6	3.3	4.1	4.8	5.5	6.2	
																32	1.3	2.1	3.0	3.8	4.7	5.5	6.3	7.2	

30SB Free Area (Vertical Mount)													
Duct Height	Duct Width												
	4	8	12	16	20	24	28	32	36	40	44	47	
4	.04	.09	.16	.22	.29	.35	.41	.47	.54	.58	.64	.70	
8	.09	.27	.44	.62	.79	.97	1.1	1.3	1.5	1.6	1.8	1.9	
12	.16	.44	.73	1.0	1.3	1.6	1.9	2.1	2.4	2.6	2.9	3.2	
16	.22	.62	1.0	1.4	1.8	2.2	2.6	3.0	3.4	3.7	4.1	4.4	
20	.29	.79	1.3	1.8	2.3	2.8	3.3	3.8	4.3	4.7	5.2	5.7	
24	.35	.97	1.6	2.2	2.8	3.4	4.1	4.7	5.3	5.8	6.4	6.9	
28	.41	1.1	1.9	2.6	3.3	4.1	4.8	5.5	6.2	6.8	7.5	8.2	
32	.47	1.3	2.1	3.0	3.8	4.7	5.5	6.3	7.2	7.8	8.7	9.4	
36	.51	1.4	2.3	3.2	4.2	5.0	5.9	6.8	7.7	8.6	9.4	10.2	
40	.58	1.6	2.6	3.6	4.6	5.7	6.6	7.7	8.7	9.5	10.5	11.4	
42	.61	1.7	2.8	3.8	5.0	6.1	7.2	8.3	9.3	10.2	11.3	12.3	

30SB Free Area (Horizontal Mount)													
Duct Height	Duct Width												
	4	8	12	16	20	24	28	32	36	40	44	48	
4	.06	.2	.3	.4	.5	.5	.6	.7	.8	.9	1.0	1.1	
8	.2	.4	.6	.8	1.0	1.2	1.4	1.6	1.8	2.0	2.2	2.4	
12	.2	.5	.9	1.2	1.5	1.8	2.1	2.4	2.7	3.0	3.4	3.7	
16	.3	.7	1.2	1.6	2.0	2.4	2.8	3.3	3.7	4.1	4.5	5.0	
20	.4	.9	1.4	2.0	2.5	3.0	3.6	4.1	4.7	5.2	5.7	6.3	
24	.4	1.1	1.7	2.4	3.0	3.7	4.3	5.0	5.6	6.3	6.9	7.5	
28	.5	1.2	2.0	2.8	3.5	4.3	5.0	5.8	6.5	7.3	8.0	8.8	
32	.6	1.5	2.3	3.2	4.0	4.9	5.8	6.7	7.5	8.4	9.3	10.1	
36	.7	1.6	2.6	3.6	4.6	5.5	6.5	7.5	8.5	9.5	10.4	11.4	
40	.7	1.8	2.9	4.0	5.1	6.2	7.3	8.4	9.4	10.5	11.6	12.7	
43	.7	1.9	3.0	4.1	5.3	6.5	7.6	8.8	9.9	11.1	12.3	13.4	

