

# Duct Access Door

1" Deep · High Pressure

# HDDH

## STANDARD MATERIALS AND CONSTRUCTION

- FRAME:** 22-GA galvanized steel
- DOOR PANEL:** 24-GA galvanized steel
- INSULATION:** 1" fiberglass
- PRE-FORMED TABS:** 22-GA galvanized steel
- FINISH:** Mill

## OPTIONS

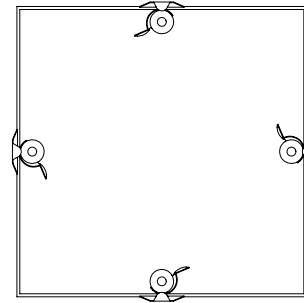
- .032" Aluminum with Plated Steel Cams and Strikers
- 24-GA Stainless Steel with Stainless Steel Cams and Strikers

## NOTES

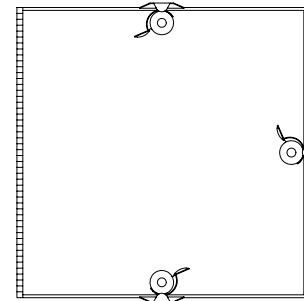
1. "A" width and "B" height are opening dimensions.
2. Standard construction to 10" Static Pressure.
3. On non standard doors, the height is always the larger dimension.

## DOOR SIZES

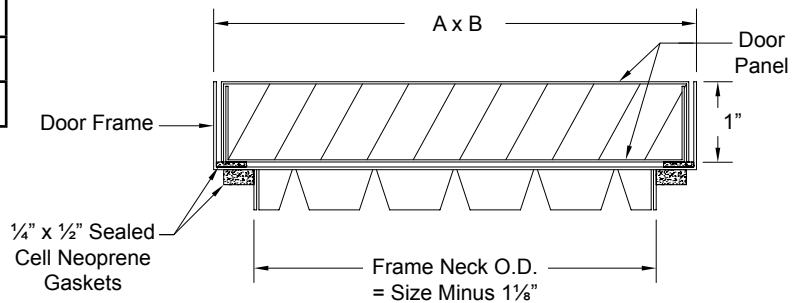
Panels	Standard Sizes	HDD100H Cams	HDD101H Cams
HDD	6"W x 6"H	3	4
	8"W x 8"H	3	4
	10"W x 10"H	3	4
	12"W x 12"H	3	4
	14"W x 14"H	3	4
	16"W x 16"H	6	8
	18"W x 18"H	6	8
	20"W x 20"H	6	8
	24"W x 24"H	6	8



HDD101H



HDD100H



**Duct Access Door**  
1" Deep · High Pressure

**HDDH**

This page intentionally left blank.