

Duct Access Door with Flange

1" Deep · Hinged or Cammed · Flanged Frame · Access Door

FLANGED

STANDARD MATERIALS AND CONSTRUCTION

- FRAME:** 22-GA galvanized steel
- DOOR PANEL:** 24-GA galvanized steel
- INSULATION:** 1" fiberglass
- FINISH:** Mill

OPTIONS

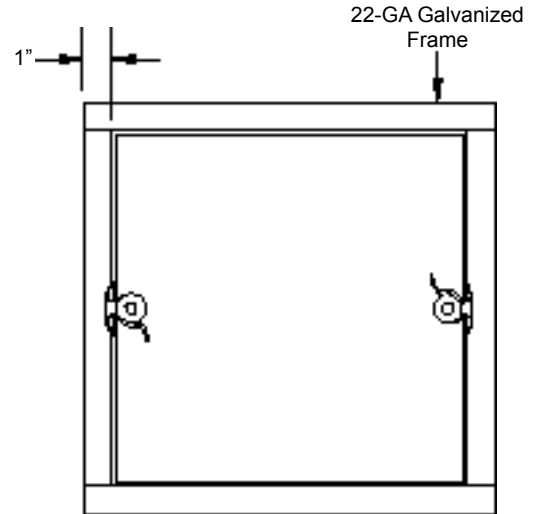
- Hinged or Flanged
- Viewports
- High Pressure

NOTES

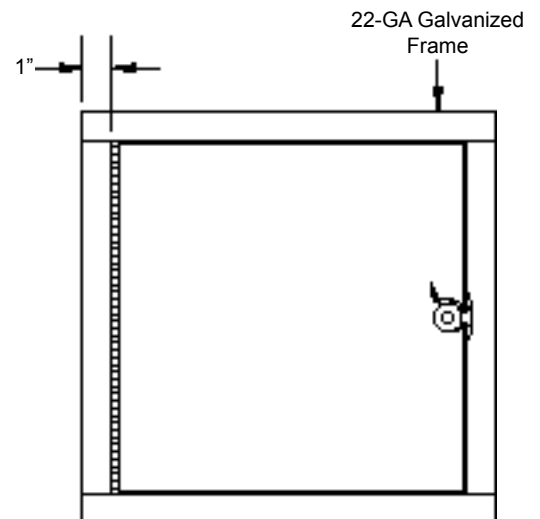
1. "A" width and "B" height are opening dimensions.
2. Duct opening should be 1/8" greater than door size.
3. Standard Pressure Rating is 4.5 in.wg. High Pressure Rating is 10 in.wg.
4. On non-standard doors, the height is always the larger dimension.

DOOR SIZES

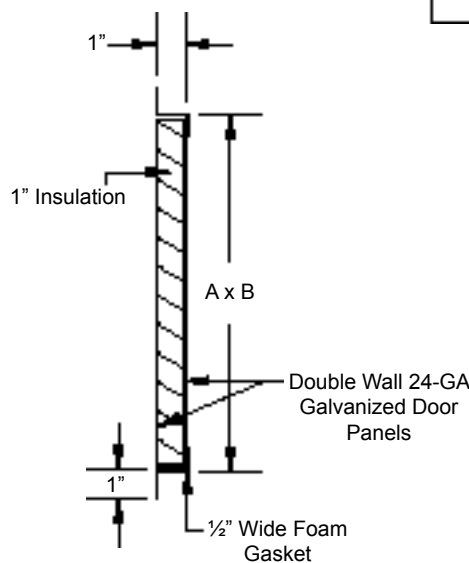
Panels	Standard Sizes	Hinged Cams	Hinged High Pressure Cams	Cammed Cams	Cammed High Pressure Cams
HDD	6"W x 6"H	1	3	2	4
	8"W x 8"H	1	3	2	4
	10"W x 10"H	1	3	2	4
	12"W x 12"H	1	3	2	4
	14"W x 14"H	1	3	2	4
	16"W x 16"H	2	6	4	8
	18"W x 18"H	2	6	4	8
	20"W x 20"H	2	6	4	8
	24"W x 24"H	2	6	4	8



Cammed



Hinged



Duct Access Door with Flange

1" Deep · Hinged or Cammed · Flanged Frame · Access Door

FLANGED

This page intentionally left blank.



In the interest of product development, Cesco Products reserves the right to make changes without notice.