

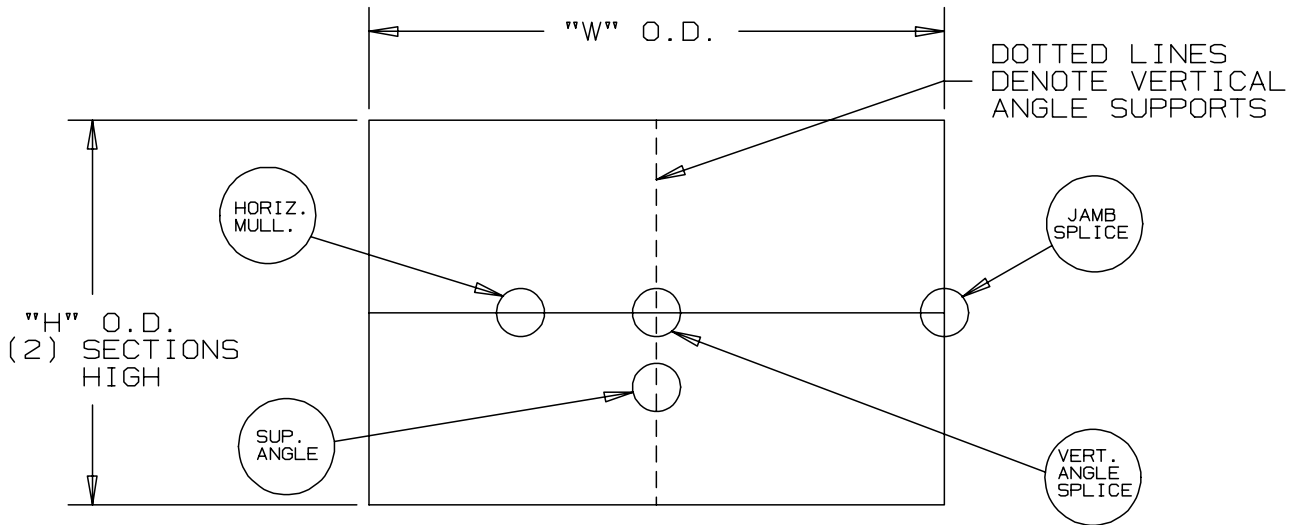
LOUVER  
CONSTRUCTION  
DETAILS





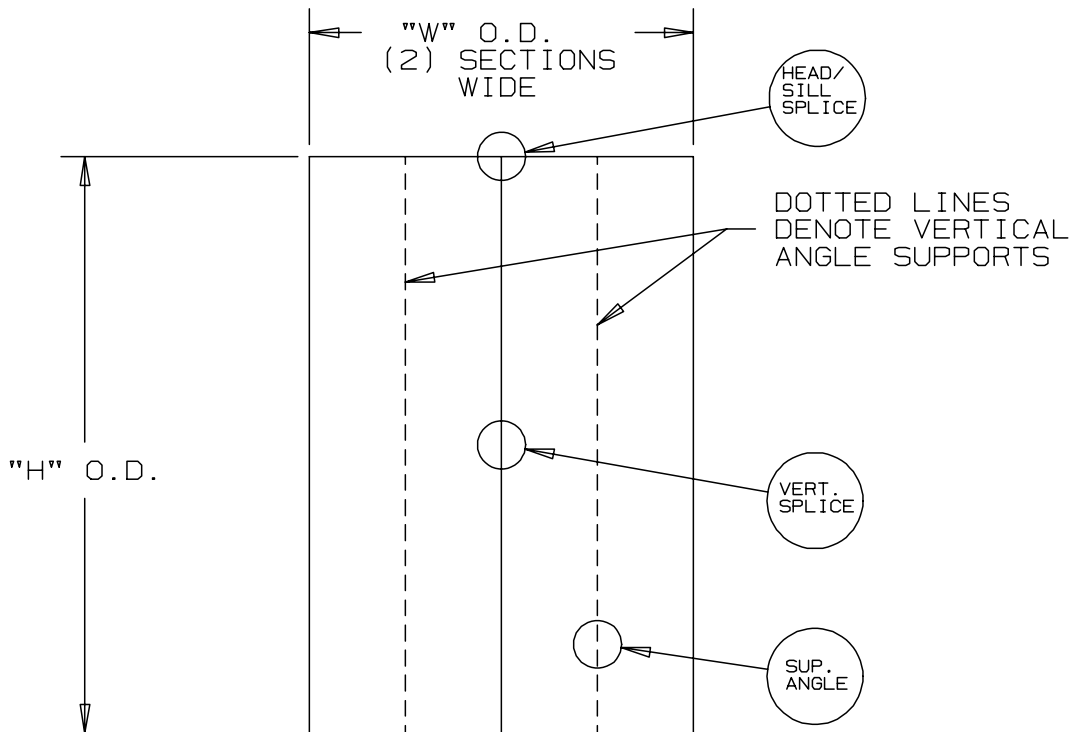


# SCHEMATIC LOUVER DRAWINGS



## LOUVER TYPE # 1

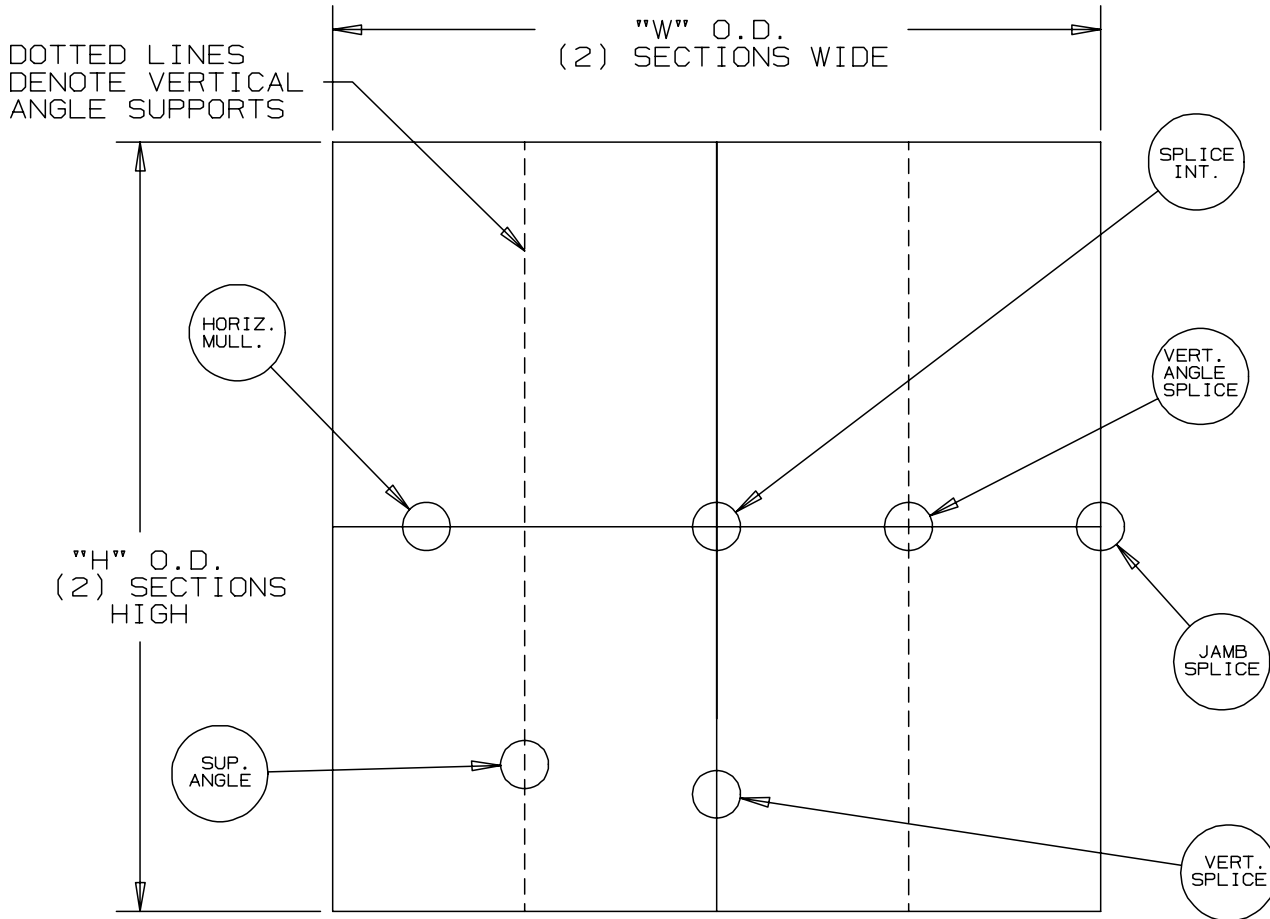
HORIZONTAL SPLICE AND VERTICAL ANGLE SUPPORT  
SINGLE SECTION WIDE BY TWO SECTIONS HIGH



## LOUVER TYPE # 2

VERTICAL SPLICE AND VERTICAL ANGLE SUPPORTS  
TWO SECTIONS WIDE BY ONE SECTION HIGH

# SCHEMATIC LOUVER DRAWINGS

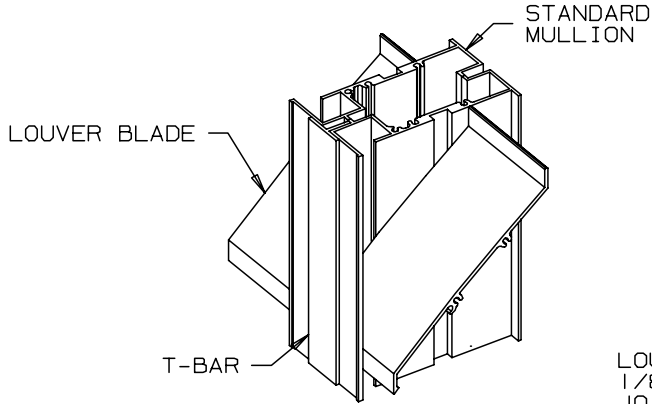


## LOUVER TYPE #3

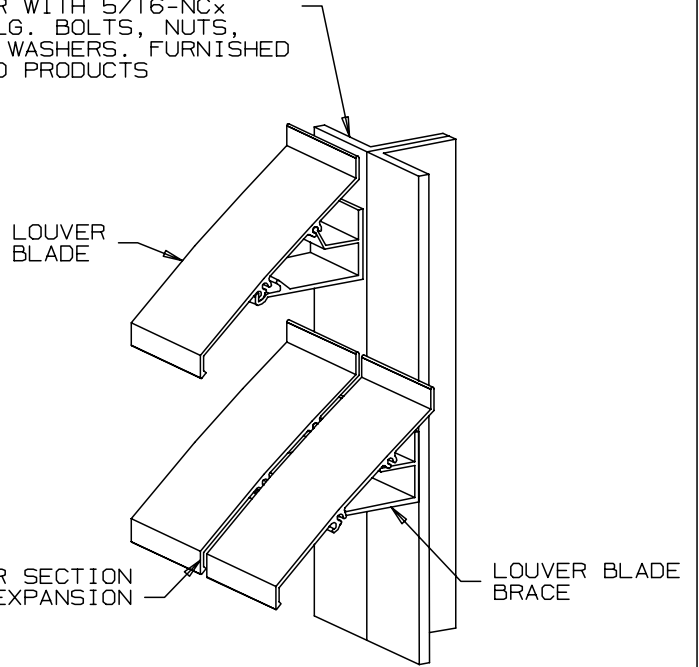
HORIZONTAL AND VERTICAL SPLICE WITH VERTICAL SUPPORT ANGLES  
TWO SECTIONS WIDE BY TWO SECTIONS HIGH

# EXTRUDED ALUMINUM LOUVER DETAILS

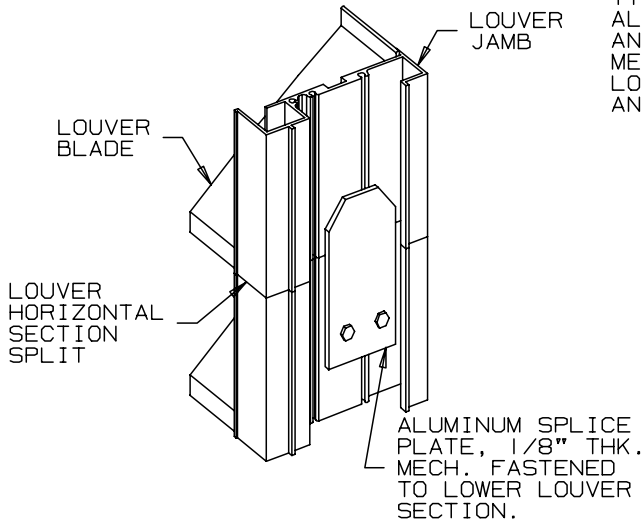
CONTINUOUS LINE VERTICAL  
ALUMINUM 2"x2"x1/4" THK.  
SUPPORT ANGLES, FASTENED  
TOGETHER WITH 5/16-NCx  
1 1/2" LG. BOLTS, NUTS,  
AND LK. WASHERS. FURNISHED  
BY CESCO PRODUCTS



DETAIL # 1

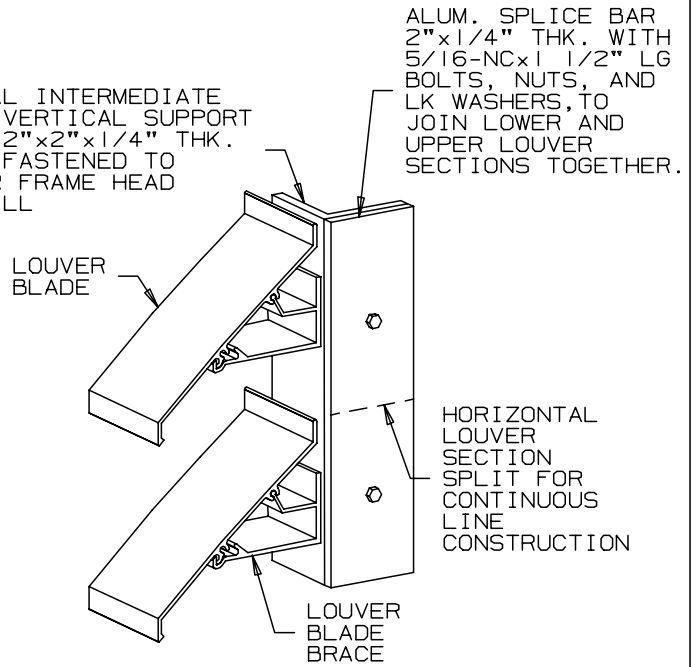


DETAIL # 2



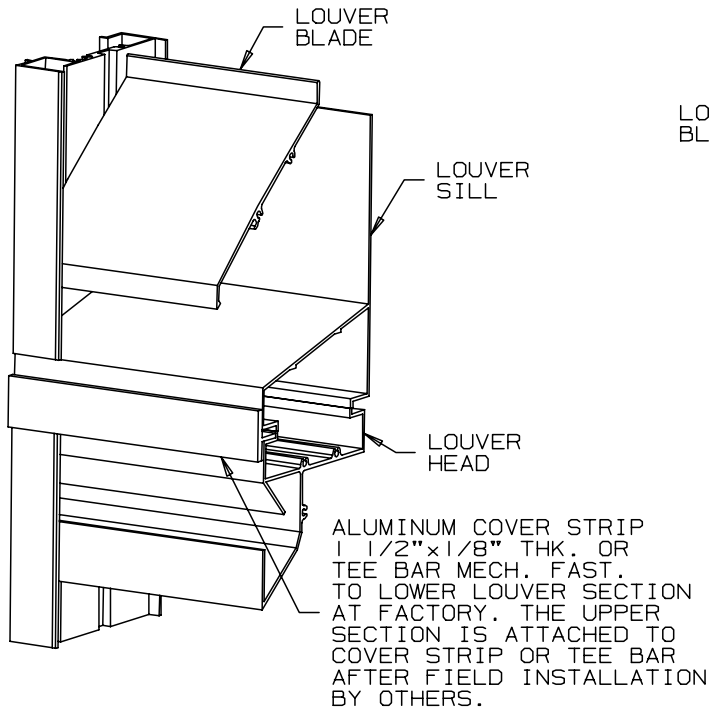
DETAIL # 3

TYPICAL INTERMEDIATE  
ALUM. VERTICAL SUPPORT  
ANGLE 2"x2"x1/4" THK.  
MECH. FASTENED TO  
LOUVER FRAME HEAD  
AND SILL

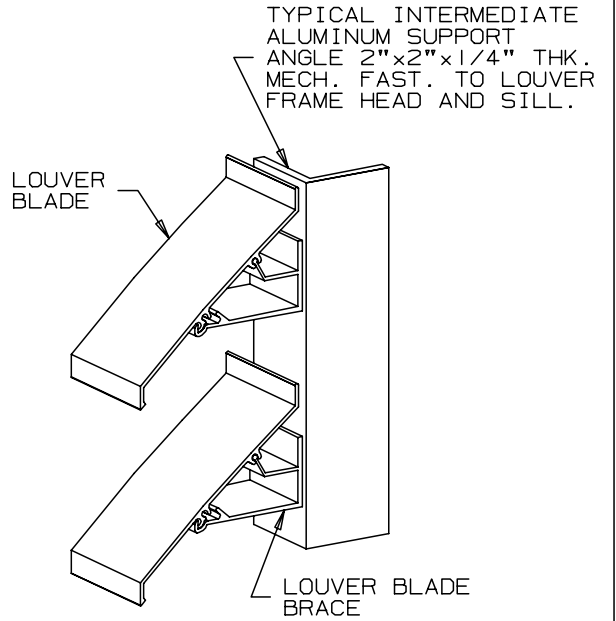


DETAIL # 4

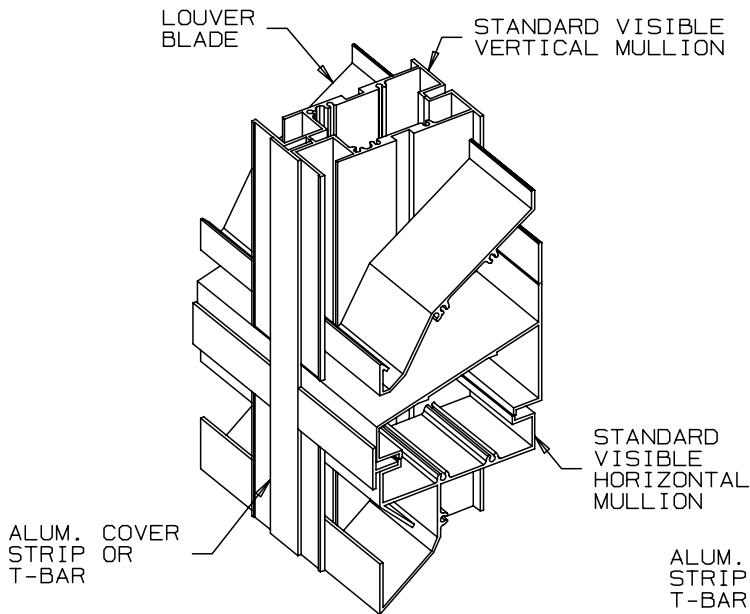
# EXTRUDED ALUMINUM LOUVER DETAILS



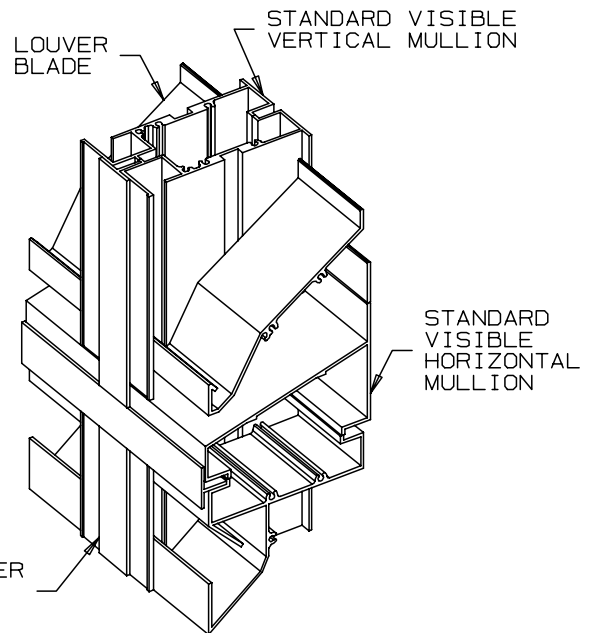
DETAIL #5



DETAIL #6



DETAIL #7



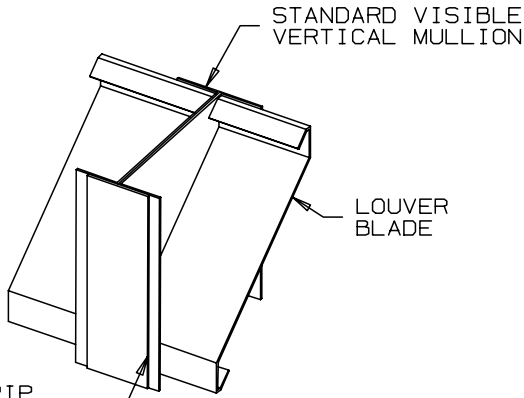
DETAIL #8

THE UNBROKEN CONTINUOUS LENGTH OF THE ALUM. COVER STRIP AT THE LOUVER INTERSECTION IS DETERMINED BY THE LONGEST LOUVER DIMENSION, WIDTH OR HEIGHT.

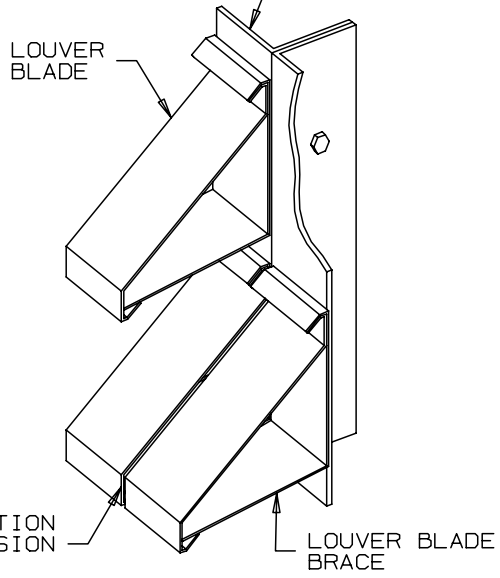


# FABRICATED STEEL LOUVER DETAILS

CONTINUOUS LINE VERTICAL  
STEEL 2"x2"x1/8" THK.  
SUPPORT ANGLES, FAST.  
TOGETHER WITH 5/16-NCx1 1/2"  
LG. BOLTS, NUTS AND LK  
WASHERS. FURNISHED BY  
CESCO PRODUCTS

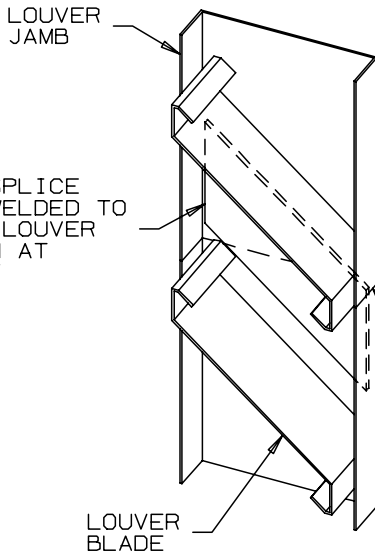


STEEL COVER STRIP  
1 1/2"x18 GA. THK.  
MECH. FAST. TO  
RIGHT LOUVER SECTION  
AT FACTORY



DETAIL # 9

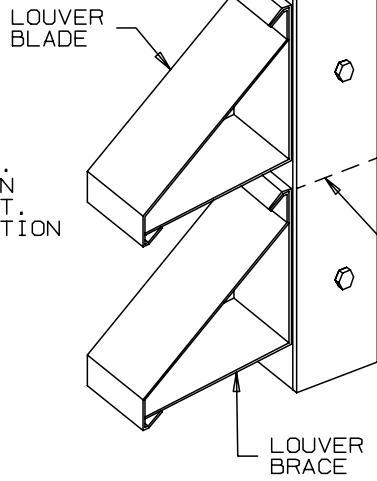
DETAIL # 10



STEEL SPLICE  
PLATE-WELDED TO  
BOTTOM LOUVER  
SECTION AT  
FACTORY

TYPICAL HORIZ.  
LOUVER SECTION  
SPLIT FOR CONT.  
LINE CONSTRUCTION

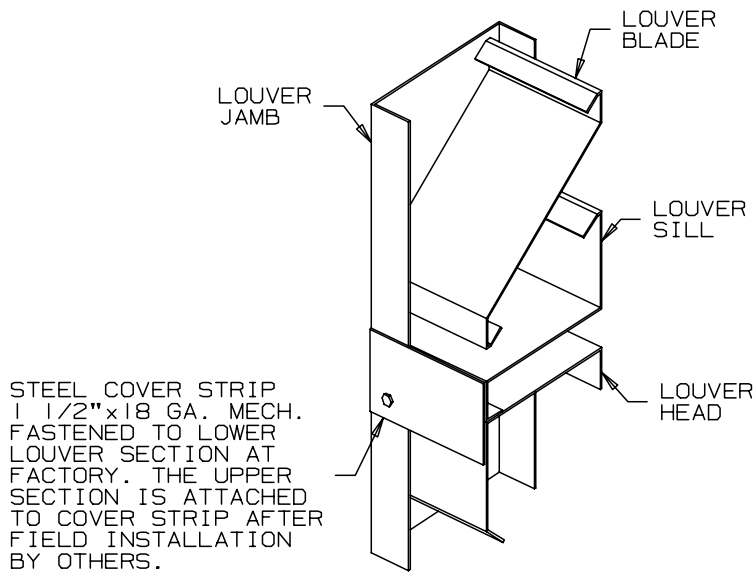
STEEL SPLICE BAR  
2"x10 GA. FURNISHED  
W/ 5/16-NCx1 1/2"  
LG. BOLTS, NUTS AND  
LK WASHERS TO JOIN  
LOWER AND UPPER LOUVER  
SECTIONS TOGETHER



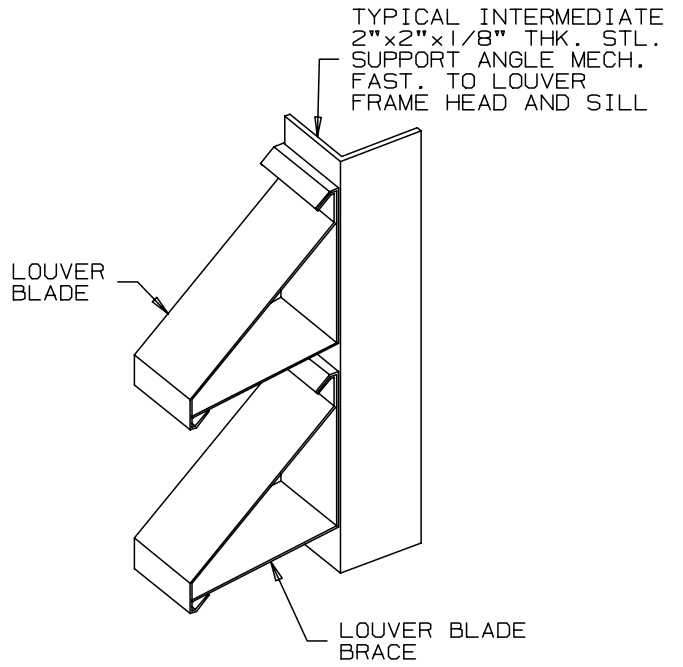
DETAIL # 11

DETAIL # 12

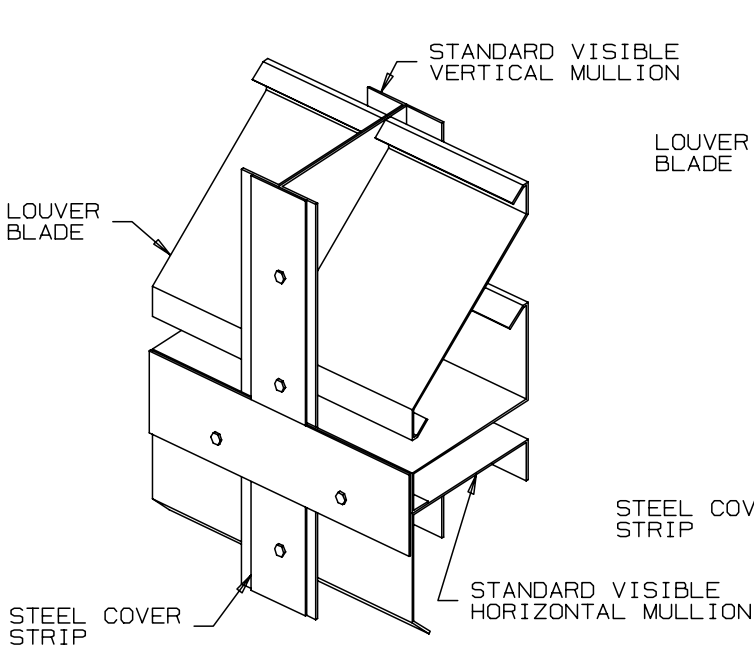
# FABRICATED STEEL LOUVER DETAILS



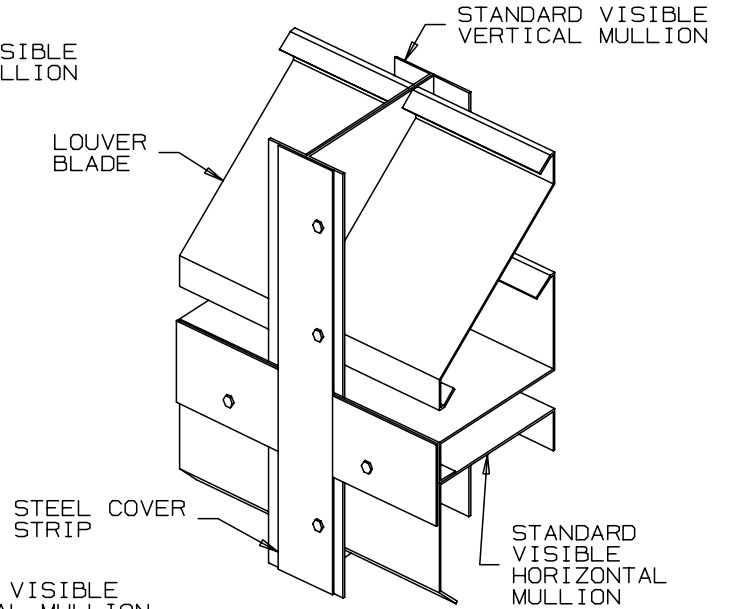
DETAIL # 13



DETAIL # 14

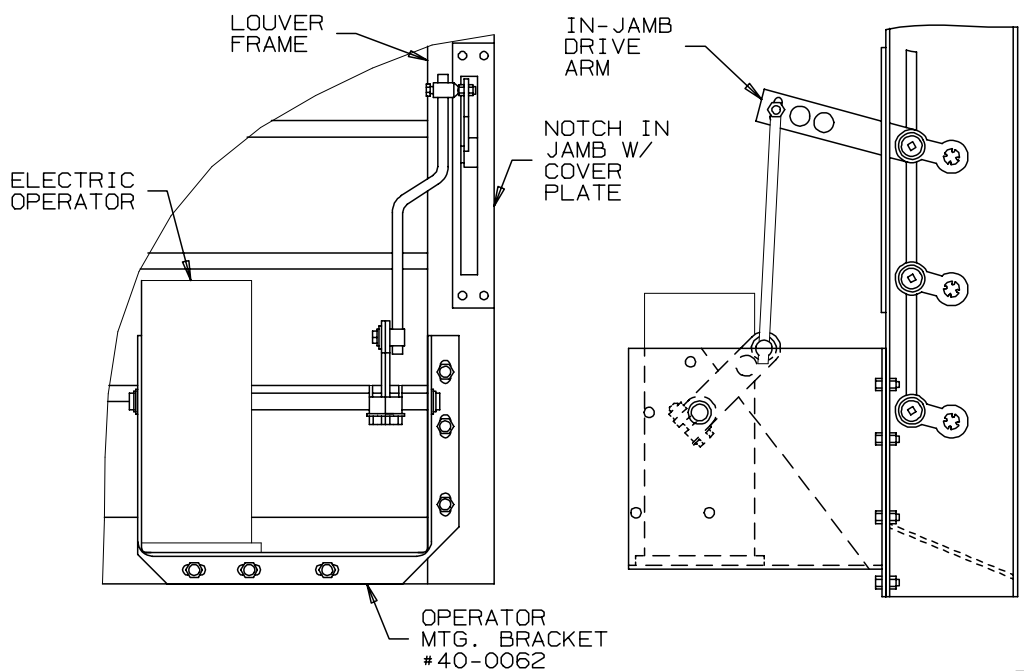


DETAIL # 15

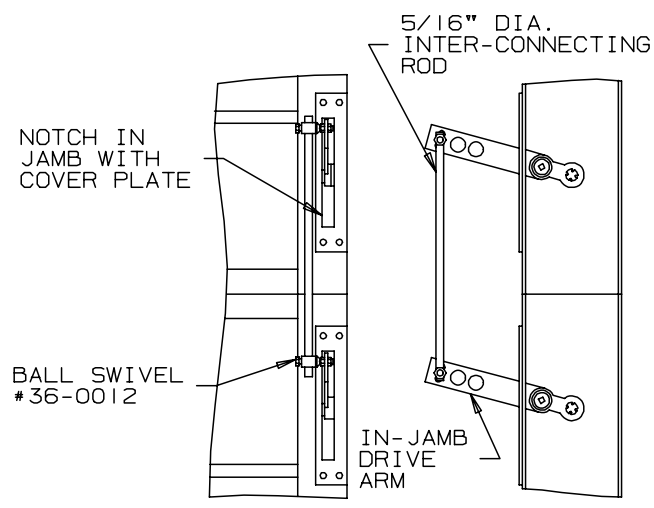


DETAIL # 16

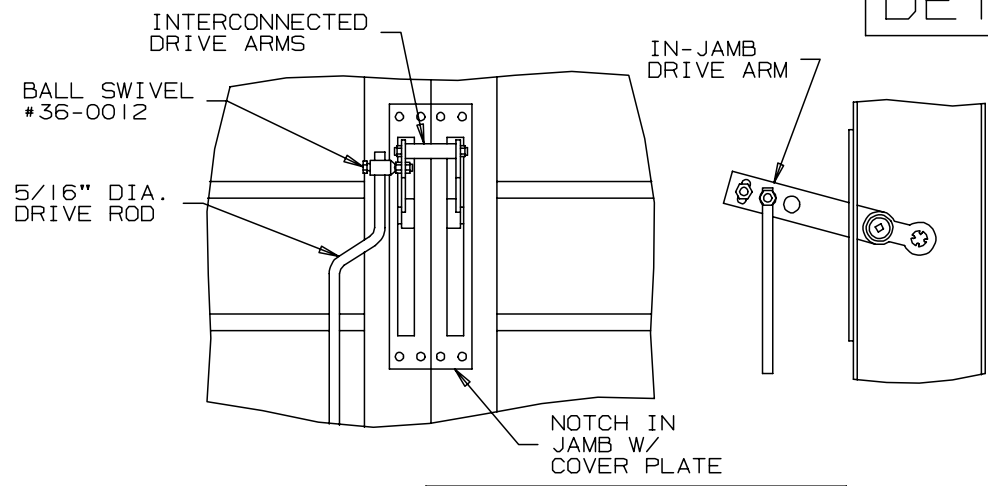
# ADJUSTABLE ALUMINUM AND STEEL LOUVER DETAILS



DETAIL # 17

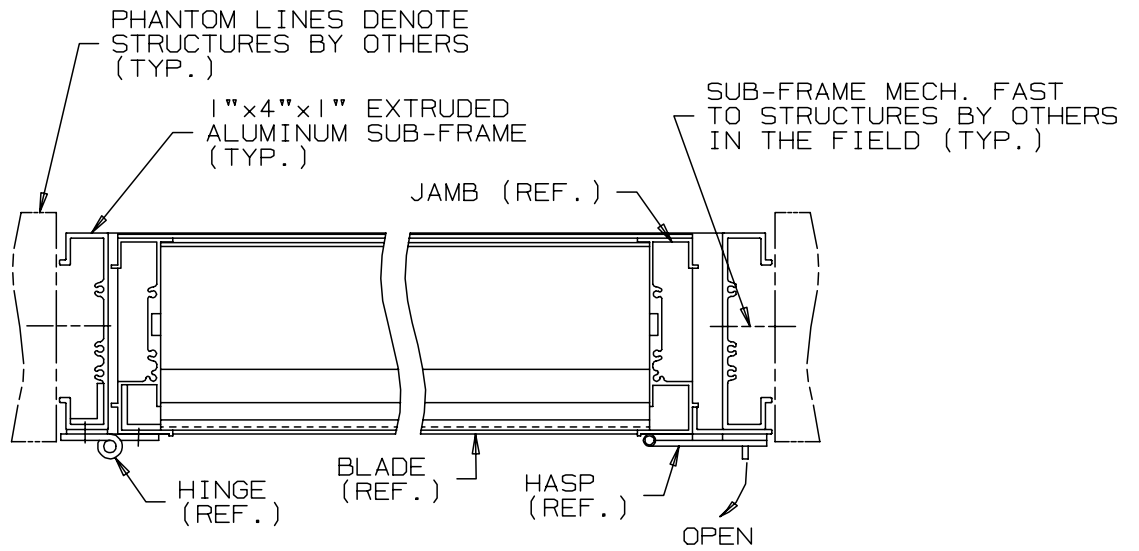


DETAIL # 18

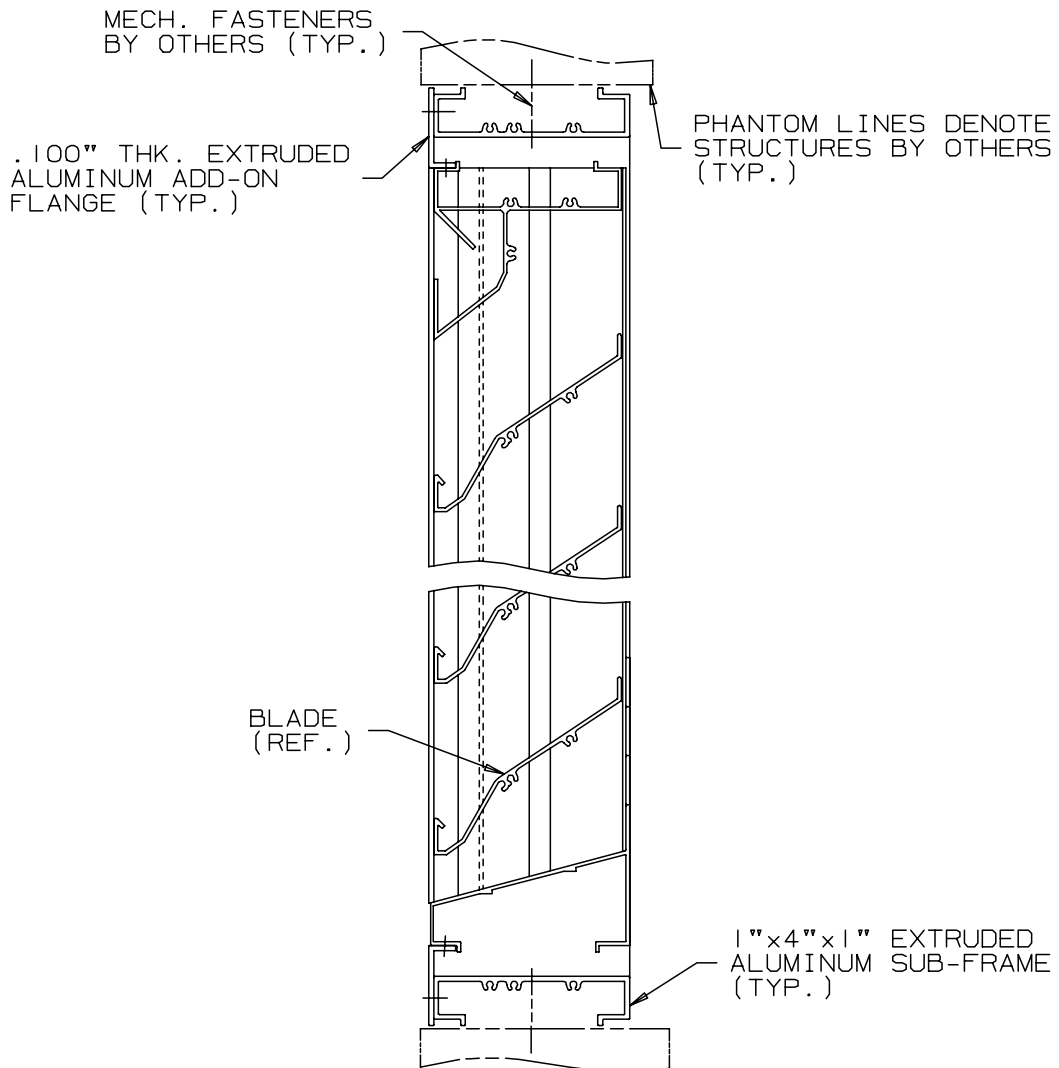


DETAIL # 19

# SPECIAL LOUVER MOUNTING DETAILS

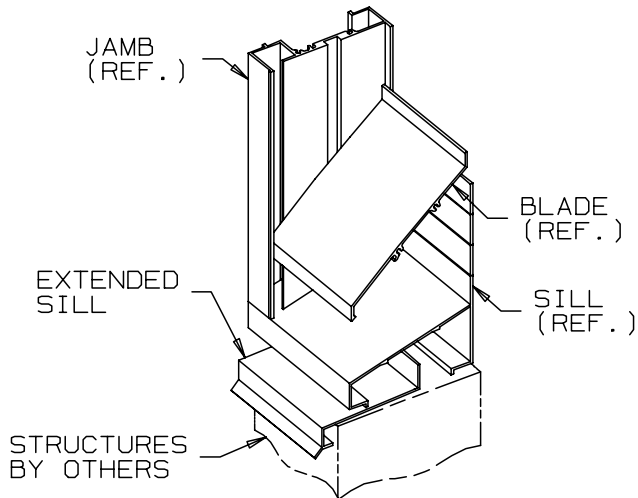


## HINGED LOUVER DOOR W/ SUBFRAME

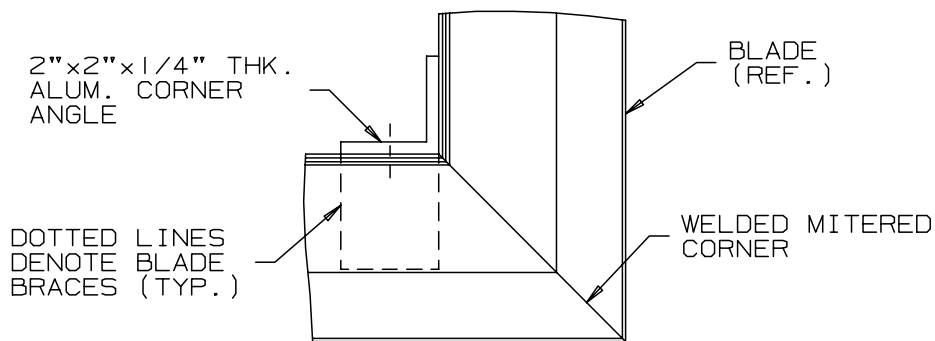


## REMOVABLE FLANGED FRAME LOUVER SECTION

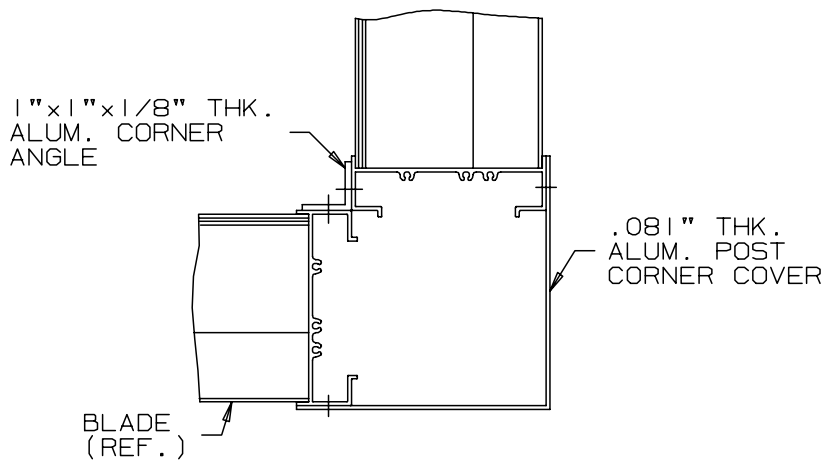
# SPECIAL LOUVER MOUNTING DETAILS



EXTENDED SILL DETAIL



MITERED CORNER DETAIL



POST CORNER DETAIL

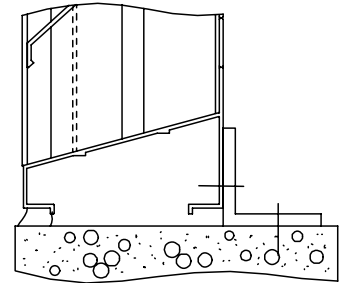
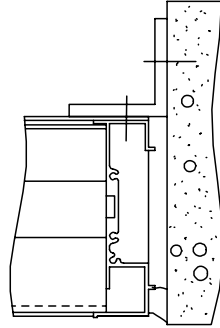
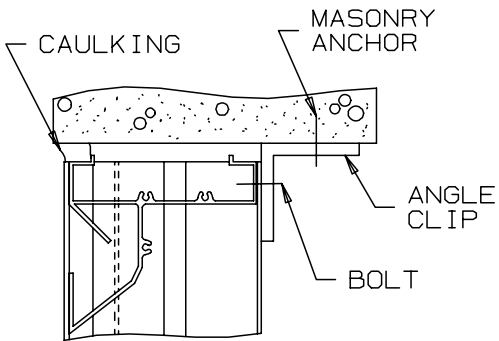
# TYPICAL LOUVER INSTALLATION METHODS - CHANNEL FRAME

## HEAD

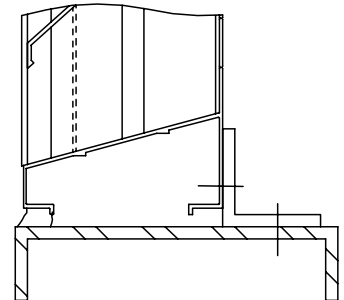
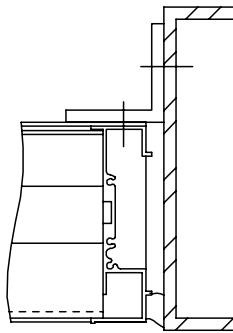
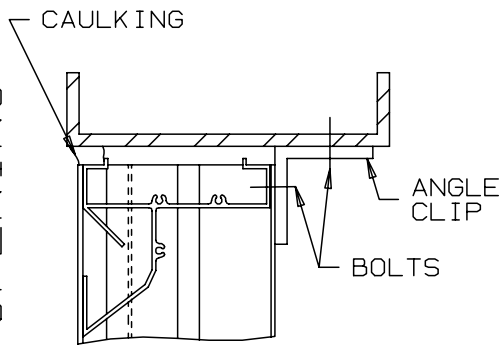
## JAMB

## SILL

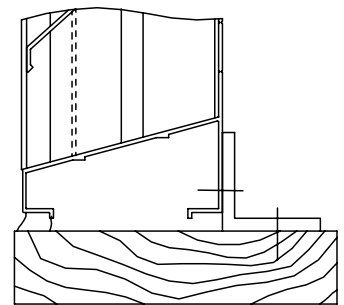
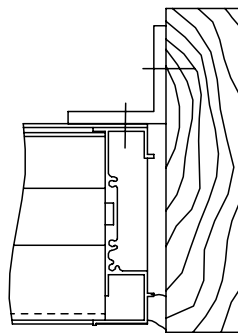
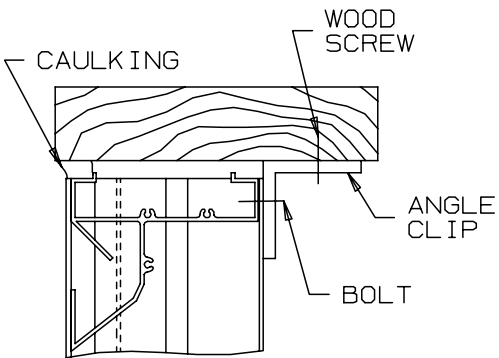
MASONRY  
OPENING



STEEL  
OPENING



WOOD  
OPENING



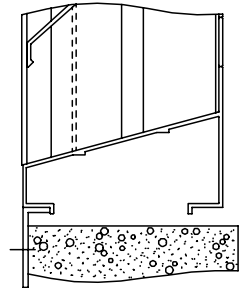
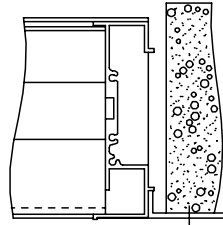
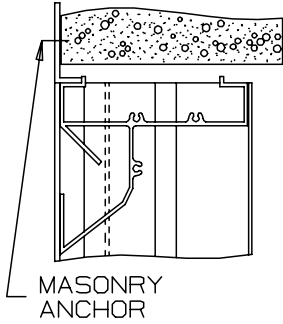
# TYPICAL LOUVER INSTALLATION METHOD - FLANGED FRAME

HEAD

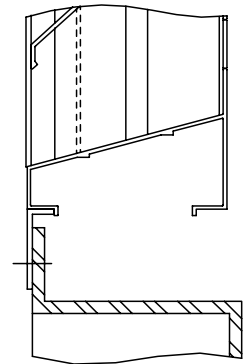
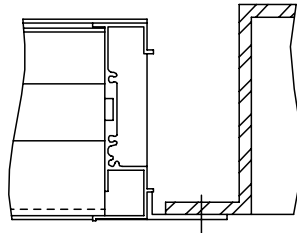
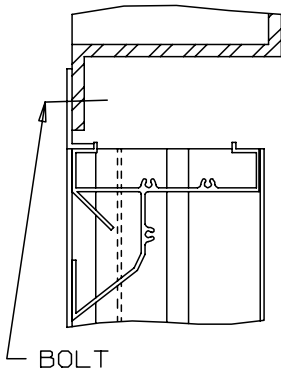
JAMB

SILL

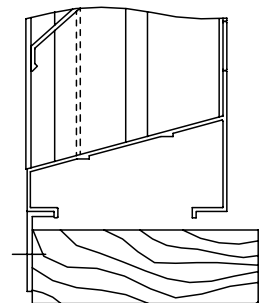
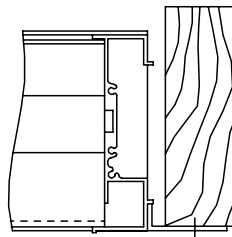
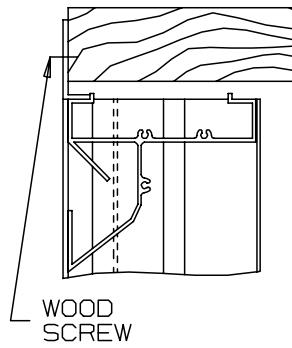
MASONRY  
OPENING



STEEL  
OPENING



WOOD  
OPENING



CORRUGATED  
OPENING

