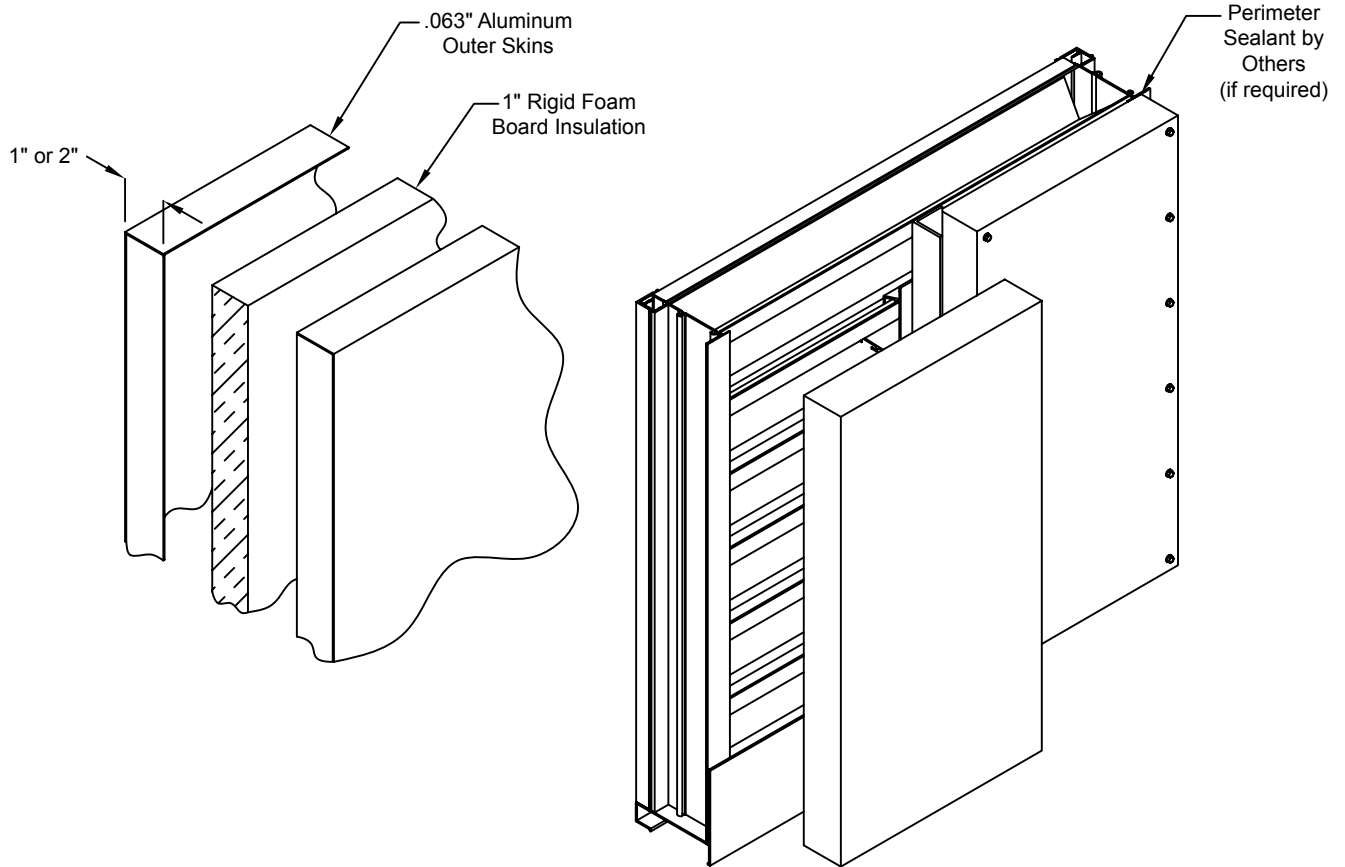


APPLICATION

A blankoff panel is used where a louver appearance is desired, but airflow is not required. From the exterior the louver appears as a functioning louver, but the interior of the louver is sealed with a solid panel, allowing no air flow. This panel can be flat, 1" insulated, or 2" insulated.

A non-insulated panel is fabricated using sheet metal (.063") sheared to 1" greater than blade field of the louver and attached to the interior.

For an insulated panel, 1" to 2" of Rigid Foam Board Insulation is sealed between two sheet metal (.063") skins, forming an enclosed box which is attached to the interior of the louver.



Blankoff Panels Aluminum Louvers

This page intentionally left blank.

