

SUBMITTAL DATA: PANEL RADIATOR

BMSD-PR-2

STANDARD FEATURES

- BTU Range 1,472 – 18,355
- Bottom Supply / Return Connection
- Reversible Radiator (Type 21/22/33 only)
- Top Grille & Side Panels
- Four Side connections
- Thermostatic Head Valve Insert (Shipped Loose)
- 10 Year Warranty
- Pretreated Steel with Powder Coated White Finish
- Optimal Corrosion Resistance
- Max Working Pressure 145 PSI
- Max Operating Temperature 200°F
- High Scratch and Impact Resistance
- Multiple Connections for Ease of Installation
 - (2) Bottom Connections 3/4"
 - (4) Side Connections 1/2"



SPECIFICATIONS

Type	Part Number	Depth	Dimensions (HxL)		Output (BTU) @120°F	Output (BTU) @140°F	Output (BTU) @160°F	Output (BTU) @180°F	Weight (lbs)	Water Content (gal)	Equivalent Baseboard @180°F (ft)
			In.	mm							
11	5136U1150040100	2-3/4	19 11/16 x 15 3/4	500 x 400	506	810	1,139	1,472	13	0.29	3
	5136U1150060100		19 11/16 x 23 5/8	500 x 600	758	1,215	1,708	2,207	18	0.44	4
	5136U1150070100		19 11/16 x 27 9/16	500 x 700	887	1,419	1,991	2,575	22	0.5	5
	5136U1150090100		19 11/16 x 35 7/16	500 x 900	1,140	1,824	2,560	3,311	26	0.66	6
	5136U1150100100		19 11/16 x 39 3/8	500 x 1000	1,268	2,024	2,847	3,678	29	0.73	7
	5136U1160060100		23 5/8 x 23 5/8	600 x 600	922	1,490	2,093	2,731	22	0.52	5
	5136U1160070100		23 5/8 x 27 9/16	600 x 700	1,081	1,737	2,444	3,189	24	0.6	6
	5136U1160090100		23 5/8 x 35 7/16	600 x 900	1,389	2,237	3,145	4,104	31	0.76	8
21	5136U2640040000	2-7/8	15 3/4 x 15 3/4	400 x 400	583	927	1,280	1,654	15	0.47	3
	5136U2640060000		15 3/4 x 23 5/8	400 x 600	875	1,391	1,921	2,484	22	0.71	5
	5136U2640070000		15 3/4 x 27 9/16	400 x 700	1,019	1,622	2,239	2,895	26	0.84	6
	5136U2640090000		15 3/4 x 35 7/16	400 x 900	1,311	2,083	2,879	3,726	33	1.08	7
	5136U2640100000		15 3/4 x 39 3/8	400 x 1000	1,454	2,313	3,197	4,138	37	1.18	8
	5136U2640120000		15 3/4 x 47 1/4	400 x 1200	1,749	2,778	3,841	4,968	44	1.42	9
	5136U2640140000		15 3/4 x 55 1/8	400 x 1400	2,038	3,239	4,477	5,775	51	1.66	10
	5136U2640180000		15 3/4 x 70 7/8	400 x 1800	2,621	4,166	5,755	7,448	64	2.16	13
	5136U2650040000		19 11/16 x 15 3/4	500 x 400	699	1,114	1,558	2,002	20	0.58	4
	5136U2650060000		19 11/16 x 23 5/8	500 x 600	1,047	1,674	2,340	3,009	29	0.87	6
	5136U2650070000		19 11/16 x 27 9/16	500 x 700	1,223	1,951	2,730	3,507	33	1.03	7
	5136U2650090000		19 11/16 x 35 7/16	500 x 900	1,570	2,507	3,508	4,511	41	1.32	8
	5136U2650100000		19 11/16 x 39 3/8	500 x 1000	1,762	2,814	3,935	5,013	46	1.45	9
	5136U2650140000		19 11/16 x 55 1/8	500 x 1400	2,468	3,935	5,508	6,980	53	1.58	13
	5136U2650180000		19 11/16 x 70 7/8	500 x 1800	3,173	5,064	7,085	9,022	82	2.61	16
	5136U2660040000		23 5/8 x 15 3/4	600 x 400	817	1,303	1,826	2,322	24	0.68	5
	5136U2660060000		23 5/8 x 23 5/8	600 x 600	1,226	1,955	2,734	3,533	33	1.03	7
	5136U2660070000		23 5/8 x 27 9/16	600 x 700	1,431	2,280	3,192	4,120	40	1.21	8
	5136U2660090000		23 5/8 x 35 7/16	600 x 900	1,840	2,935	4,106	5,302	49	1.55	10
	5136U2660100000		23 5/8 x 39 3/8	600 x 1000	2,043	3,257	4,559	5,887	55	1.71	11
	5136U2660120000		23 5/8 x 47 1/4	600 x 1200	2,449	3,908	5,471	7,064	66	2.06	13
	5136U2660140000		23 5/8 x 55 1/8	600 x 1400	2,861	4,564	6,386	8,206	77	2.38	15



Beacon Morris

260 North Elm Street • Westfield, MA 01085

Tel: (413) 562-5423 Fax: (413) 572-3764

7555 Tranmere Drive • Mississauga, Ontario, L5S 1L8

Tel: (905) 670-5888 Fax: (905) 670-5782

www.beacon-morris.com

PROJECT: _____ DATE: _____

LOCATION: _____

CUSTOMER: _____

ENGINEER: _____

SUBMITTED BY: _____

FOR: Reference Approval Construction

UNIT DESIGNATION: _____

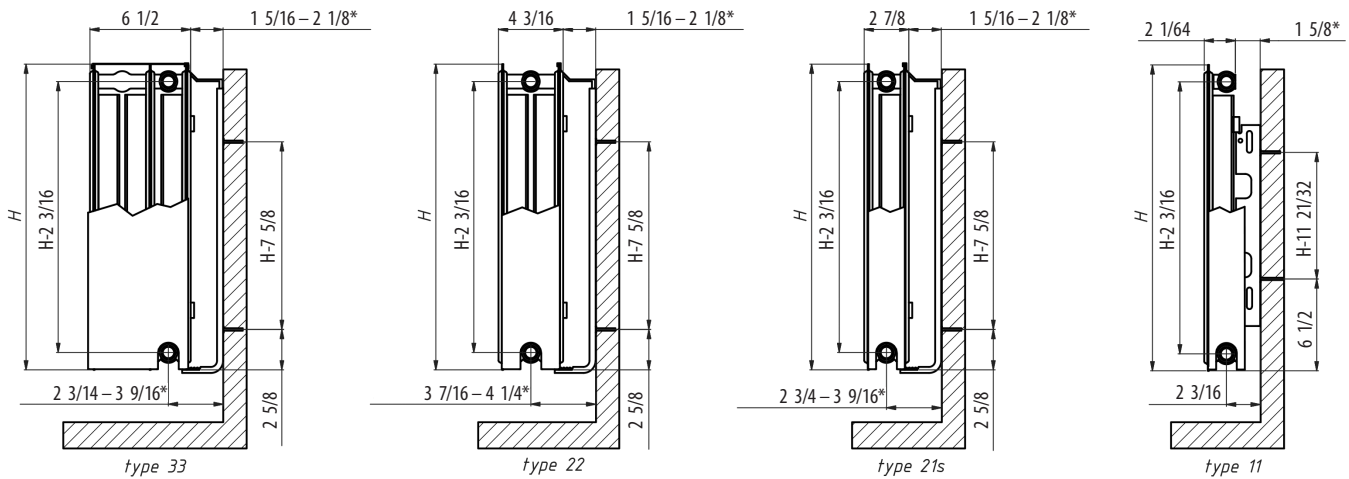
SCHEDULE NUMBER: _____

SPECIFICATIONS (CONTINUED)

Type	Part Number	Depth	Dimensions (HxL)		Output (BTU) @120°F	Output (BTU) @140°F	Output (BTU) @160°F	Output (BTU) @180°F	Weight (lbs)	Water Content (gal)	Equivalent Baseboard @180°F (ft)
			In.	mm							
22	5136U2230060000	4-1/8	11 13/16 x 23 5/8	300 x 600	825	1,309	1,824	2,358	20	0.55	5
	5136U2230070000		11 13/16 x 27 9/16	300 x 700	962	1,526	2,130	2,750	24	0.66	6
	5136U2230090000		11 13/16 x 35 7/16	300 x 900	1,237	1,966	2,739	3,542	29	0.84	7
	5136U2230100000		11 13/16 x 39 3/8	300 x 1000	1,375	2,182	3,042	3,934	33	0.95	8
	5136U2230120000		11 13/16 x 47 1/4	300 x 1200	1,649	2,619	3,651	4,719	37	1.13	9
	5136U2230130000		11 13/16 x 51 3/16	300 x 1300	1,787	2,839	3,958	5,115	42	1.24	10
	5136U2230140000		11 13/16 x 55 1/8	300 x 1400	1,924	3,056	4,260	5,491	48	1.37	11
	5136U2230180000		11 13/16 x 70 7/8	300 x 1800	2,474	3,932	5,478	7,084	57	1.69	13
	5136U2240040000		15 3/4 x 15 3/4	400 x 400	712	1,132	1,583	2,013	18	0.47	4
	5136U2240060000		15 3/4 x 23 5/8	400 x 600	1,065	1,696	2,374	3,016	26	0.71	6
	5136U2240070000		15 3/4 x 27 9/16	400 x 700	1,242	1,978	2,767	3,518	31	0.84	7
	5136U2240090000		15 3/4 x 35 7/16	400 x 900	1,595	2,546	3,559	4,524	40	1.08	8
	5136U2240100000		15 3/4 x 39 3/8	400 x 1000	1,777	2,828	3,957	5,026	42	1.18	9
	5136U2240120000		15 3/4 x 47 1/4	400 x 1200	2,130	3,396	4,744	6,029	51	1.42	11
	5136U2240140000		15 3/4 x 55 1/8	400 x 1400	2,484	3,960	5,539	7,006	60	1.67	13
	5136U2240180000		15 3/4 x 70 7/8	400 x 1800	3,195	5,096	7,122	9,049	75	2.16	16
	5136U2250040000		19 11/16 x 15 3/4	500 x 400	911	1,458	2,038	2,620	22	0.58	5
	5136U2250060000		19 11/16 x 23 5/8	500 x 600	1,365	2,182	3,053	3,925	33	0.87	7
	5136U2250070000		19 11/16 x 27 9/16	500 x 700	1,593	2,545	3,560	4,580	37	1.03	8
	5136U2250090000		19 11/16 x 35 7/16	500 x 900	2,048	3,274	4,579	5,889	49	1.32	11
	5136U2250100000		19 11/16 x 39 3/8	500 x 1000	2,279	3,636	5,090	6,545	53	1.45	12
	5136U2260040000		23 5/8 x 15 3/4	600 x 400	1,088	1,744	2,448	3,184	26	0.68	6
	5136U2260060000		23 5/8 x 23 5/8	600 x 600	1,633	2,615	3,673	4,781	40	1.03	9
	5136U2260070000		23 5/8 x 27 9/16	600 x 700	1,904	3,050	4,285	5,575	46	1.21	10
	5136U2260090000		23 5/8 x 35 7/16	600 x 900	2,449	3,991	5,605	7,172	57	1.55	13
	5136U2260100000		23 5/8 x 39 3/8	600 x 1000	2,766	4,434	6,228	7,965	64	1.71	14
	5136U2260120000		23 5/8 x 47 1/4	600 x 1200	3,319	5,323	7,474	9,562	75	2.06	17
	5136U2260140000		23 5/8 x 55 1/8	600 x 1400	3,868	6,208	8,719	11,083	86	2.41	20
5136U2260180000	23 5/8 x 70 7/8	600 x 1800	4,976	7,979	11,206	14,335	112	3.09	25		
33	5136U3350060000	6-1/2	19 11/16 x 23 5/8	500 x 600	1,743	2,767	3,929	5,132	49	1.32	9
	5136U3350070000		19 11/16 x 27 9/16	500 x 700	2,035	3,226	4,587	5,988	57	1.53	11
	5136U3350090000		19 11/16 x 35 7/16	500 x 900	2,615	4,146	5,893	7,694	73	1.98	14
	5136U3350100000		19 11/16 x 39 3/8	500 x 1000	2,903	4,608	6,548	8,551	79	2.19	15
	5136U3360060000		23 5/8 x 23 5/8	600 x 600	2,147	3,424	4,785	6,117	60	1.55	11
	5136U3360090000		23 5/8 x 35 7/16	600 x 900	3,221	5,138	7,184	9,177	86	2.32	16
	5136U3360100000		23 5/8 x 39 3/8	600 x 1000	3,577	5,705	7,979	10,199	95	2.58	18
	5136U3360120000		23 5/8 x 47 1/4	600 x 1200	4,293	6,847	9,577	12,237	115	3.09	22
	5136U3360140000		23 5/8 x 55 1/8	600 x 1400	5,011	7,990	11,172	14,213	135	3.60	25
	5136U3360180000		23 5/8 x 70 7/8	600 x 1800	6,441	10,271	14,363	18,355	170	4.64	32

DIMENSIONAL DRAWINGS

Overall Dimensions

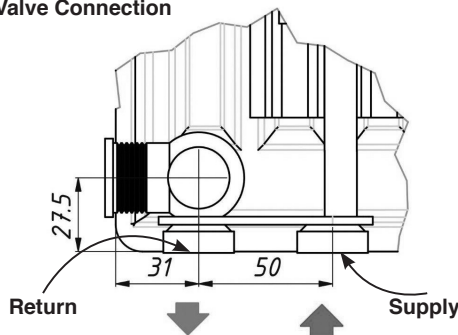


*Distance from wall will vary depending upon placement of radiator on bracket. Brackets depth is adjustable.

H = Height of Radiator (12"/16"/20"/24")

Valve Connection

Dimensions (Valve Connection)



mm	inches
27.5	1-1/16
31	1-1/4
50	1-15/16