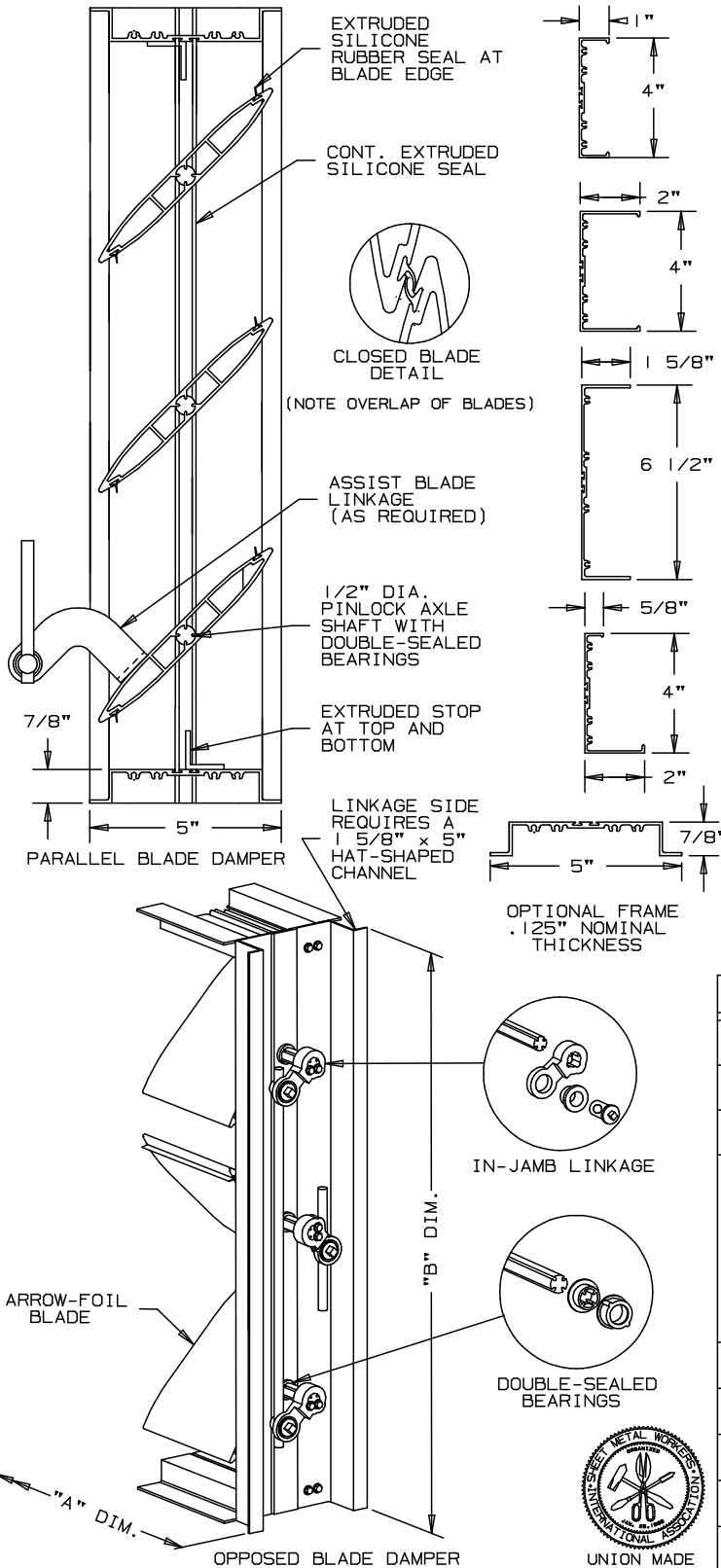


ARROW EXTRUDED ALUMINUM ARROW-FOIL DAMPERS

TYPE PBD AF-206 & OBD AF-207

ARROW-FOIL DAMPERS WITH JAMB LINKAGE



SPECIFICATIONS

DAMPERS SHALL BE ARROW-FOIL DAMPER OBD AF-207 (OPPOSED) OR PBD AF-206 (PARALLEL) WITH JAMB LINKAGE AS MANUFACTURED BY ARROW UNITED INDUSTRIES, WYALUSING, PA 18853.

FRAMES AND BLADES TO BE A MINIMUM 12 GA (.081") EXTRUDED ALUMINUM. BLADES TO BE A SINGLE UNIT ARROW-FOIL DESIGN, 6" WIDE (4" AND 5" WIDE AVAILABLE) WITH THE PIN-LOCK AN INTEGRAL SECTION WITHIN THE BLADE CORE.

OVERLAP BLADES AND SEALS (NOT JUST OVERLAP SEALS) ASSURE MINIMUM AIR LEAKAGE. EXTRUDED SILICONE SEALS FIT INTO DOVETAILED SHAPED SLOTS ON BOTH FRAMES AND BLADES.

FRAMES TO BE EXTRUDED ALUMINUM "HAT-SHAPED" CHANNEL WITH REINFORCING BOSSES AND GROOVE INSERTS FOR SILICONE SEALS. STANDARD FRAMES ARE 5" WIDE "HAT-SHAPED" CHANNELS ON (4) SIDES.

AXLE SHAFTS TO BE 1/2" DIA. EXTRUDED ALUMINUM, PIN-LOCK DESIGN INTERLOCKING INTO BLADE SECTION. BEARINGS TO BE "DOUBLE-SEALED" TYPE WITH CELCON INNER BEARING ON AXLE RIDING IN POLYCARBONATE OUTER BEARING INSERTED IN FRAME SO THAT OUTER BEARING CANNOT ROTATE.

AXLE BEARINGS TO BE DESIGNED SO THAT THERE SHALL BE NO METAL-TO-METAL OR METAL-TO-BEARING RIDING SURFACES. INTERCONNECTING LINKAGE TO HAVE A SEPRATE CELCON BEARING TO ELIMINATE FRICTION IN LINKAGE.

LINKAGE CONTAINED WITHIN THE JAMB CONSISTS OF A HEAVY, ALUMINUM CRANK-ARM PERMANENTLY LOCKED TO THE BLADE SHAFT BY TWO STAINLESS STEEL FASTENERS. THE CRANK-ARM CONTAINS A 1/2" DIA. CADMIUM PLATED & CHROMATE TREATED MACHINED STEEL TRUNNION RIDING IN A CELCON BEARING. A PLATED STEEL 1/4"-20 SET SCREW WITH LOCKING PATCH, TIES THE PIVOT TO THE 5/16" DIA. ALUMINUM LINKAGE ROD. THE LINKAGE OF EACH DAMPER IS INDIVIDUALLY ADJUSTED.

MINIMUM PANEL: 6" X 6 1/4"

MAXIMUM PANEL: 60" X 96"

PLEASE SPECIFY WHETHER OPPOSED OR PARALLEL BLADE OPERATION IS REQUIRED.

NOMINAL DEDUCTIONS WILL BE MADE TO THE OPENING SIZE GIVEN.

SCHEDULE

ITEM	QTY.	"A" DIM.	"B" DIM.



ARROW UNITED INDUSTRIES
A DIVISION OF MESTEK, INC.

450 RIVERSIDE DRIVE
WYALUSING, PA 18853

TEL: (570) 746-1888 FAX: (570) 746-9286
WEB ADDRESS: WWW.ARROWUNITED.COM

AGENT: _____

ARCH./ENG.:

CONTR.:

PROJECT:

EDR: ECN: JOB:

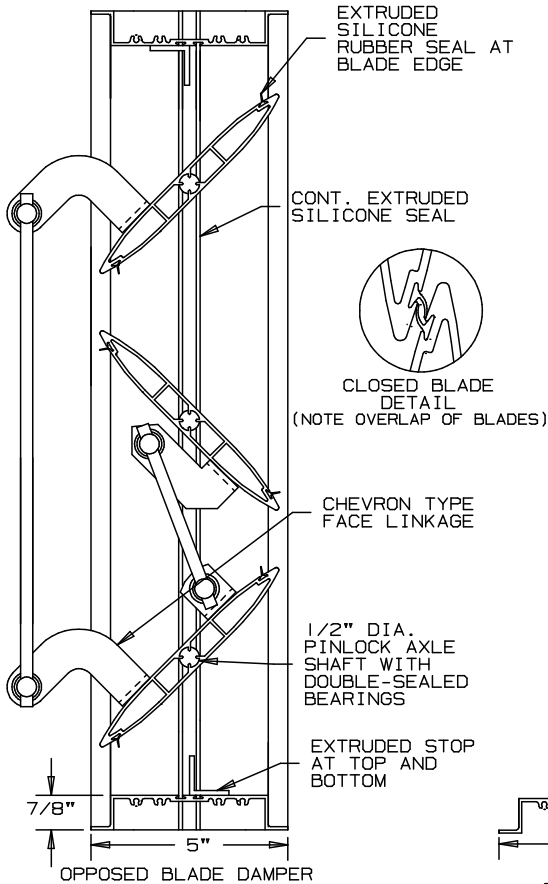
DATE: DWN.: DWG.:



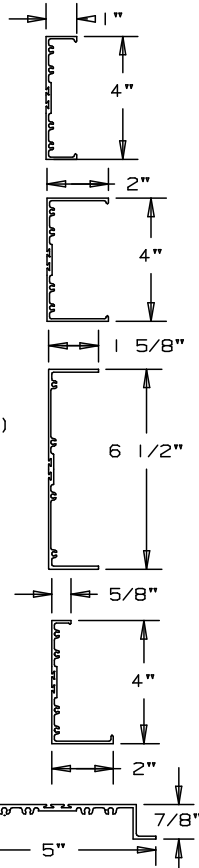
ARROW EXTRUDED ALUMINUM ARROW-FOIL DAMPERS

TYPE PBD AF-206 & OBD AF-207

ARROW-FOIL DAMPERS WITH BLADE LINKAGE



OPPOSED BLADE DAMPER



OPTIONAL FRAMES
.125" NOMINAL
THICKNESS

SPECIFICATIONS

DAMPERS SHALL BE ARROW-FOIL DAMPER OBD AF-207 (OPPOSED) OR PBD AF-206 (PARALLEL) WITH BLADE LINKAGE AS MANUFACTURED BY ARROW UNITED INDUSTRIES, WYALUSING, PA 18853.

FRAMES AND BLADES TO BE A MINIMUM 12 GA (.081") EXTRUDED ALUMINUM. BLADES TO BE A SINGLE UNIT ARROW-FOIL DESIGN, 6" WIDE (4" AND 5" WIDE AVAILABLE) WITH THE PIN-LOCK AN INTEGRAL SECTION WITHIN THE BLADE CORE.

OVERLAP BLADES AND SEALS (NOT JUST OVERLAP SEALS) ASSURE MINIMUM AIR LEAKAGE. EXTRUDED SILICONE SEALS FIT INTO DOVETAIL SHAPED SLOTS ON BOTH FRAMES AND BLADES.

FRAMES TO BE EXTRUDED ALUMINUM "HAT-SHAPED" CHANNEL WITH REINFORCING BOSSES AND GROOVE INSERTS FOR SILICONE SEALS. STANDARD FRAMES ARE 5" WIDE "HAT-SHAPED" CHANNELS ON (4) SIDES.

AXLE SHAFTS TO BE 1/2" DIA. EXTRUDED ALUMINUM, PIN-LOCK DESIGN INTERLOCKING INTO BLADE SECTION. BEARINGS TO BE "DOUBLE-SEALED" TYPE WITH CELCON INNER BEARING ON AXLE RIDING IN POLYCARBONATE OUTER BEARING INSERTED IN FRAME SO THAT OUTER BEARING CANNOT ROTATE.

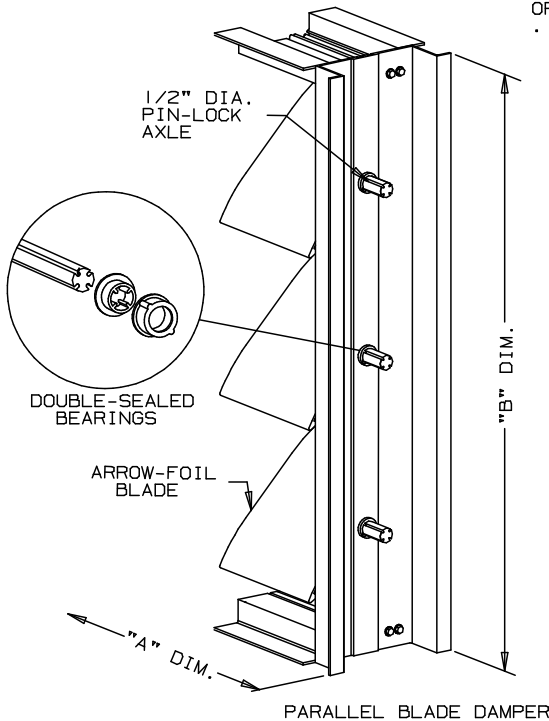
AXLE BEARINGS TO BE DESIGNED SO THAT THERE SHALL BE NO METAL-TO-METAL OR METAL-TO-BEARING RIDING SURFACES. INTERCONNECTING LINKAGE TO HAVE A SEPRATE CELCON BEARING TO ELIMINATE FRICTION IN LINKAGE.

LINKAGE HARDWARE IS TO BE OF NON-CORROSIVE REINFORCED MATERIAL OR CADMIUM PLATED STEEL.

MINIMUM PANEL: 6" X 6 1/4"
MAXIMUM PANEL: 60" X 96"

PLEASE SPECIFY WHETHER OPPOSED OR PARALLEL BLADE OPERATION IS REQUIRED.

NOMINAL DEDUCTIONS WILL BE MADE TO THE OPENING SIZE GIVEN.



PARALLEL BLADE DAMPER



UNION MADE

SCHEDULE

ITEM	QTY.	"A" DIM.	"B" DIM.

ARROW UNITED INDUSTRIES
A DIVISION OF MESTEK, INC.
450 RIVERSIDE DRIVE
WYALUSING, PA 18853
TEL: (570) 746-1888 FAX: (570) 746-9286
WEB ADDRESS: WWW.ARROWUNITED.COM

AGENT: _____

ARCH./ENG.:

CONTR.:

PROJECT:

EDR: ECN: JOB:

DATE: DWN.: DWG.: