

MODEL AHF-10I-15I-20I

Standard Access Door • 1", 1½", or 2" Deep • In-Swing • Extruded Aluminum

Standard Materials and Construction

- FLANGED FRAME:** .081" thk. (nominal) extruded aluminum, 6063-T52/T6 alloy.
- DOOR FRAME:** .081" thk. (nominal) extruded aluminum, 6063-T52/T6 alloy.
- DOOR PANELS:** 20 GA. galvanized steel.
- INSULATION:** 2.25 lb. density polyurethane foam.
- HANDLES:** Dual-acting die cast zinc.
- GASKET:** Continuous length extruded foam santoprene.
- HINGE:** Stainless steel continuous type.
- VIEWPORT GLASS:** Single pane, ¼" wire; 9" x 9" standard.
- FINISH:** Mill.

Options

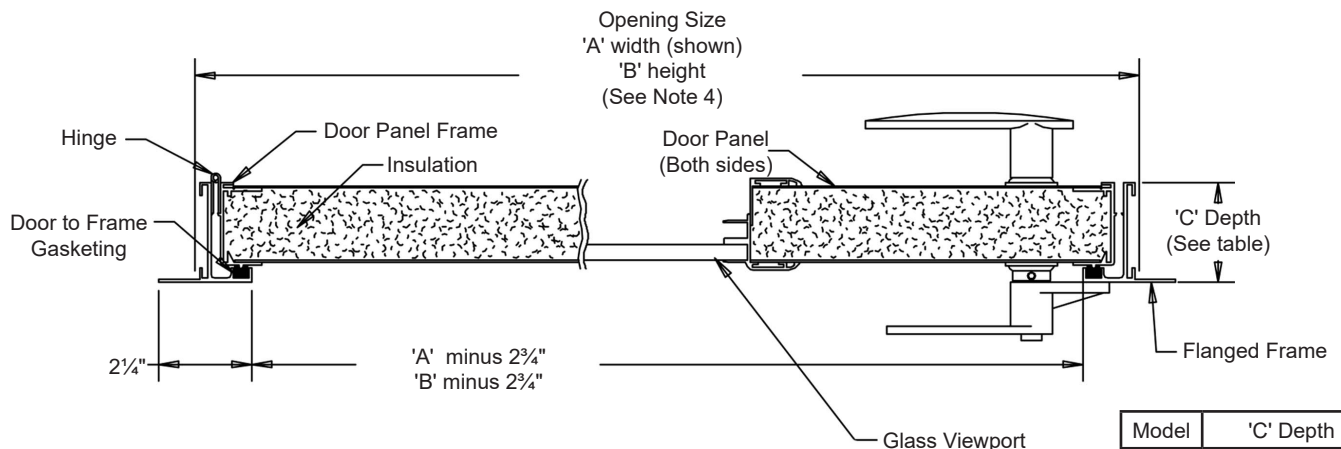
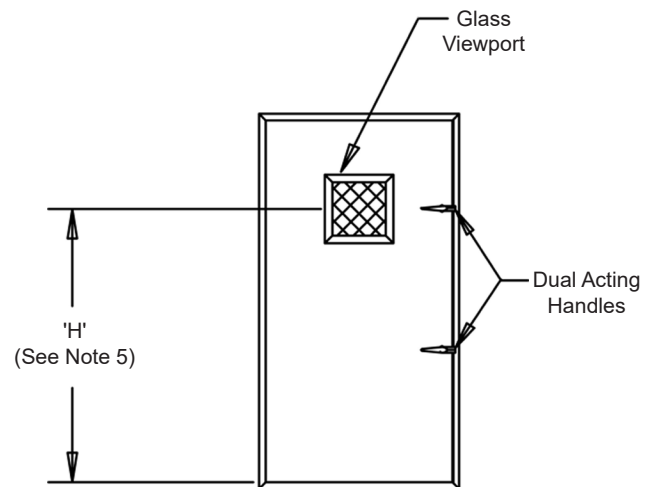
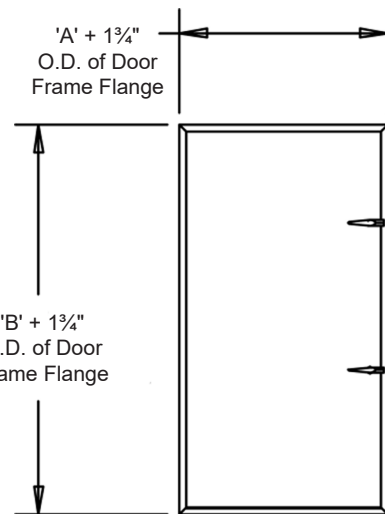
- Door panel material: bonderized steel, stainless steel, aluminum
- Viewport glass size: 9" x 9" or 12" x 12"
- Single pane ¼" wire or plexiglass
- Double pane ¼" wire
- Thermal pane ¼" wire
- Finishes - Baked Enamel, Baked Epoxy, or Prime Coat

Notes

1. Hinge always furnished on "B" height dimension.
2. (G) designates doors with glass viewports. Specify (L/H) left hand or (R/H) right hand hinge when viewing from the outside.
3. 9" x 9" glass viewport not available on units under 18" in width. 12" x 12" viewports are not available on units under 21" in width.
4. Unless otherwise specified, door will be fabricated ¼" under listed size. Dimensional tolerance is ± .075.
5. Unless otherwise specified, standard viewport locations are as follows:
 'H' = 'B' - 11" (±1") when 'B' is 20" to 60"
 'H' = 48" (±1") when 'B' is greater than 60"
 (When specifying non-standard viewport locations, 'H' cannot be greater than 'B' - 11".)
6. Door width cannot exceed two times its height.
7. Please refer to the installation instructions for mounting of handles and door assembly mounting.
8. In-swing doors are recommended for positive pressures. Out-swing doors are recommended for negative pressures.

Door Sizes

Min Size	Max Size
12"W x 12"H	48"W x 96"H



Model	'C' Depth
10	1 3/8"
15	1 7/8"
20	2 3/8"

