

MODEL SEP-45-S

Penthouse Louver • Post Corner • Louvered • Smoke Evacuation • Extruded Aluminum

Standard Materials and Construction

LOUVER: Frame and blade are .081" thk. (nominal) extruded aluminum 6063-T52/T6 alloy, w/ post corner construction.

SCREEN: (When indicated, in a removable frame) ½" flattened aluminum, .051" thk.,

- or- Insect screen 1⁵/₁₆" aluminum mesh, .011" dia.,
- or- ½" sq. mesh intermediate double crimped aluminum wire, .063" dia.

FINISH: Varies.

SIZE: 38" x 38" x 18", sits on a curb 12" - 36" high.

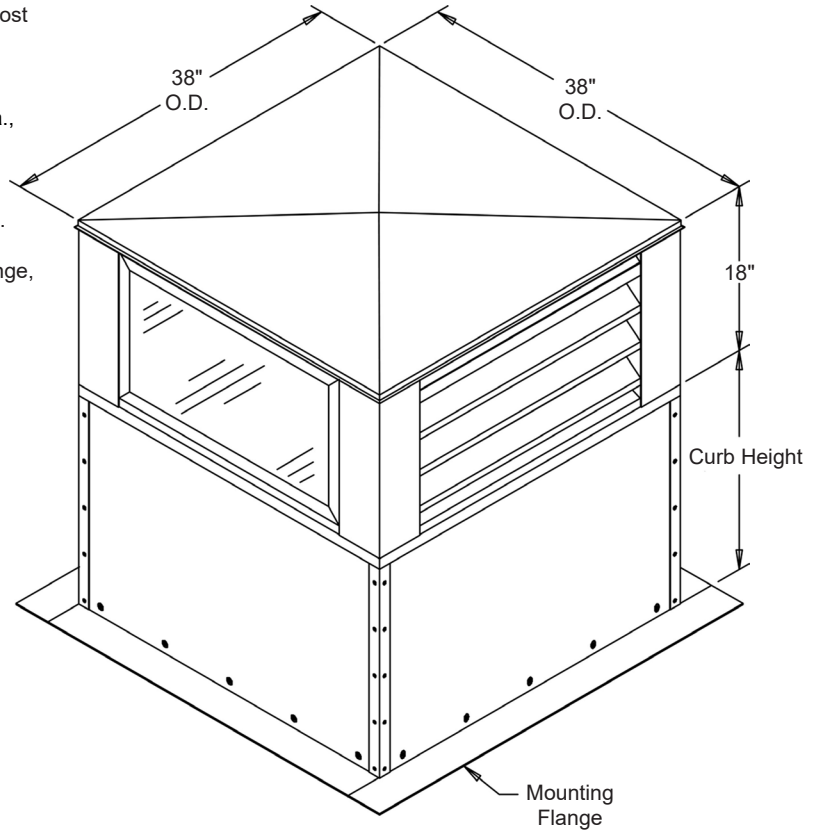
CURB: 12 GA. Galvanneal, galvanized steel or ½" thk. (nominal) aluminum w/ 4" mounting flange, welded construction.

ROOF: .060" thk. (nominal) formed aluminum with ½" thk. (nominal) rigid insulation.

POST CORNER: .081" thk. (nominal) formed aluminum.

GLASS: ½" thk. (nominal) annealed glass.

ROOF OPENING: 28" x 28" minimum, 38" x 38" maximum.



Louver Details

MODEL: EA-405 (Arrow United)

SIZE: 30" x 18" (3) three required.

FREE AREA: 4.905 sq. ft. Total.

Damper Details

MODEL: A1H Class I - 250° Smoke Damper (Arrow United)

SIZE: 26" x 26" O.D. (nominal)

ACTUATOR: Internally mounted power close spring open (fail open) 120 VAC actuator w/ open/closed indicator.


CORE AREA: 4.38 sq. ft.

Options

- Access door in curb, by others.
- Hinged louver with hasp or surface mount latch in penthouse.

Notes

1. Actuator access door in ductwork supplied and installed by others.

								
Item #	Qty	Width	Height	Curb Height	Glass Access	Hinged Access	Tagging	
Arch. / Eng. :		Roof Opening		EDR:		ECN:	Job:	
Contractor:								
Project:				Date:		DWN:	DWG:	

Penthouse Optional Construction

