

# MODEL RU

True Round Smoke Damper • Class I • 250°F or 350°F • Galvanized Steel

### Standard Materials and Construction

- FRAME:** 20-GA galvanized rolled frame, 18" deep.
- BLADES:** 20-GA double thickness galvanized steel (equal to 14-GA).
- AXLES:** ½" diameter galvanized or plated steel, full length.
- BEARING:** Oil impregnated bronze sleeve.
- STOPS:** Full open and full closed angle stops.
- BLADE SEAL:** Silicone.
- CAULKING:** UL approved.
- FINISH:** Mill.
- ACTUATOR:** Electric. Factory-installed for Power-Open/Spring-Close (fail close) operation. External left-hand mounted as viewed from jackshaft side of damper.

### Options

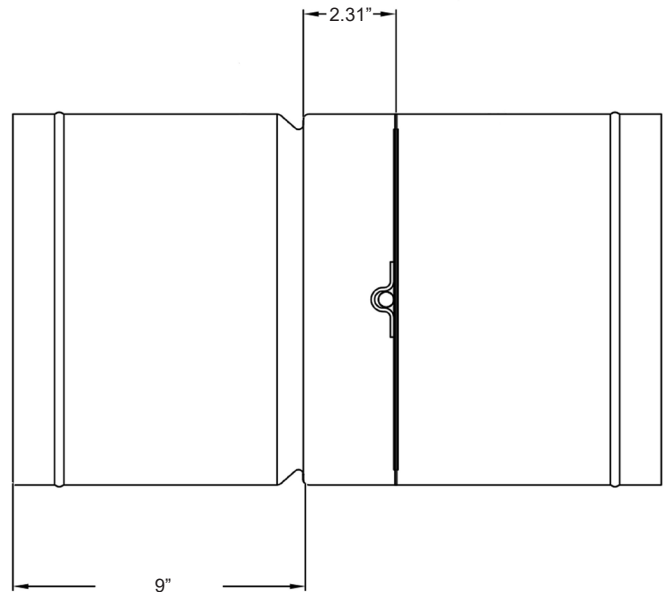
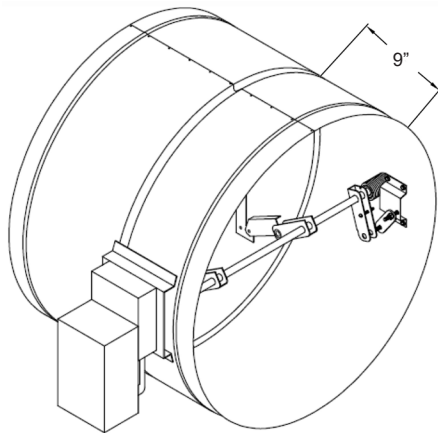
- Integral Dual Position Indication (IDPI) switches.
- Model SM-501 Flow-rated smoke detector, ships loose only.
- Model 2D51 No-flow smoke detector, ships loose only.
- Rolled retaining angles.
- Stainless steel bearings.
- Copper tubing (for pneumatic actuators).
- Retaining plates
- Pneumatic Actuator

### Notes

1. Dampers are available in 2" diameter increments only.
2. Dampers ≥ 20" will require factory-mounted rings in the center of the damper.

### Damper Sizes

	2000 fpm, 4 in. w.g.	3000 fpm, 6 in. w.g.
Horizontal & Vertical	Horizontal & Vertical	Horizontal & Vertical
Minimum Size	Maximum Size	Maximum Size
6" dia.	24" dia.	24" dia.



**UNDERWRITERS LABORATORIES INC.®**  
 CLASSIFIED DYNAMIC SMOKE DAMPER  
 LEAKAGE RESISTANCE CLASS I

FILE #R19235

This smoke damper meets the construction and performance requirements of:

- Underwriters Laboratories Inc. Standard 555S
- National Fire Protection Association Standards 80, 90A, 92, 101, 105
- California State Fire Marshal Listing #3225-1328:124
- Underwriters Laboratories Inc. Approved for dual direction airflow and dynamic conditions.
- Underwriters Laboratories Inc. Classified for use in smoke control systems for Leakage Class I and 250°F or 350°F.
- Actuators must be arranged to operate automatically, must fail close upon loss of power, and must be controlled by a smoke detection system.

Item #	Qty	Damper Size	Horizontal	Vertical	250°F	350°F		
			Orientation		Air Temp. Rating			Union Made
Arch. / Eng.:					EDR:		ECN:	Job:
Contractor:								
Project:					Date:		DWN:	DWG:



# MODEL RU

True Round Smoke Damper • Class I • 250°F or 350°F • Galvanized Steel

### Operations Ratings

Maximum Differential Pressure: 4 in. w.g. (6 in. w.g. depending on actuator selection).  
Maximum Velocity: 2000 fpm (3000 fpm depending on actuator selection).

### Leakage Ratings

UL Class I  
8 cfm per sq.ft. maximum @ 4 in. w.g.

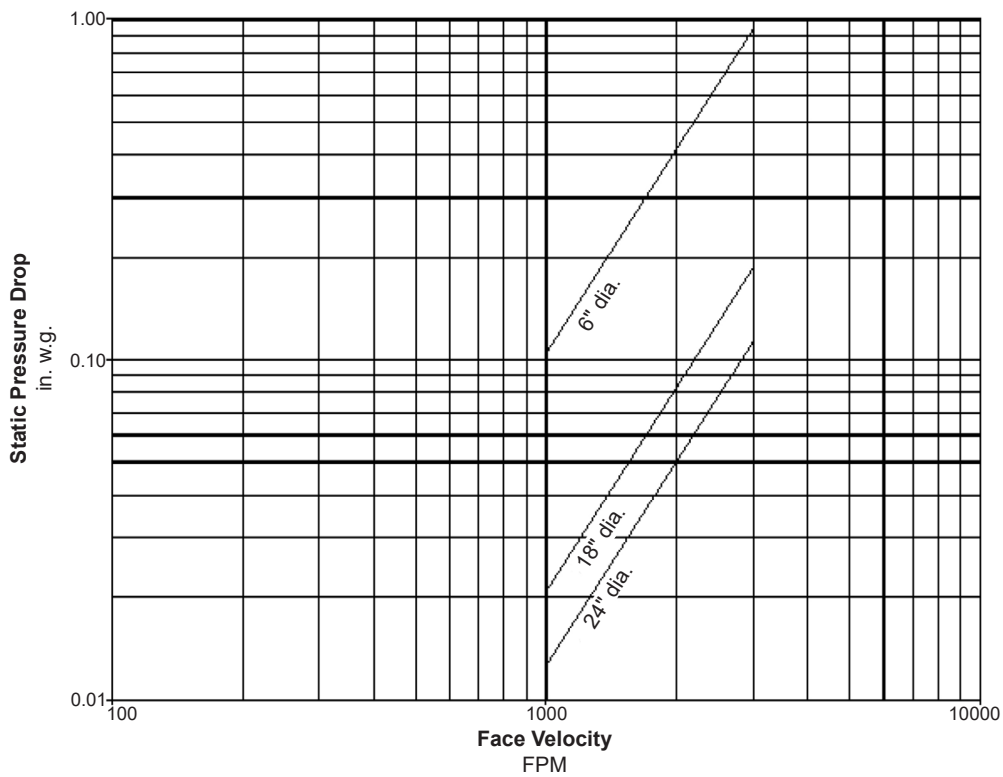
### Sound Ratings

No ratings available.

### Pressure Drop Ratings

The pressure drop data shown below is based on laboratory conditions. The test setup does not take into account elbows or other duct fittings that are part of every actual duct system. The configuration of the actual duct system immediately upstream and downstream of the damper often contributes more pressure loss than the damper itself.

This product was tested in accordance with AMCA Standard 500D.



AMCA Figure 5.3