

MODEL R17

True Round Fire Damper • 1½ Hr. Rated • Curtain Blade • Dynamic • Horizontal and Vertical Mount • Galvanized Steel

Standard Materials and Construction

FRAME: 20 GA. galvanized steel for dampers ≤ 10" diameter
 16 GA. galvanized steel for dampers ≥ 11" diameter

BLADE: Stainless steel curtain type.

FUSIBLE LINK: UL-Listed for 165°F, replaceable.

FINISH: Mill

UNDERWRITERS LABORATORIES INC.®
 CLASSIFICATION OF MODEL
 FIRE RESISTANCE RATING 1½ HOUR

FILE # R19235

Options

- 212°F fusible link
- Retaining angle rings (sizes 6" - 24")
- Retaining plate and clip angles
- Optional 12" deep x 20 GA. sleeve

Notes

1. Nominal deductions of ¼" will be made to the diameter given.
2. Dampers available in 1" increments only.
3. Dampers approved for static or dynamic applications and are qualified for both horizontal and vertical installations.

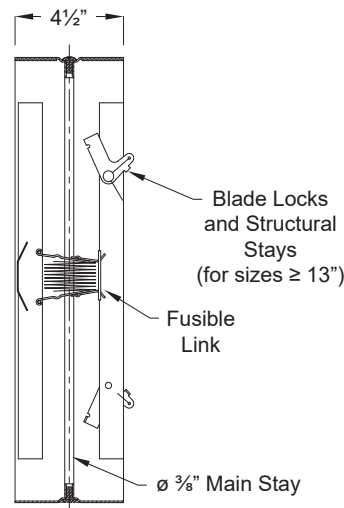
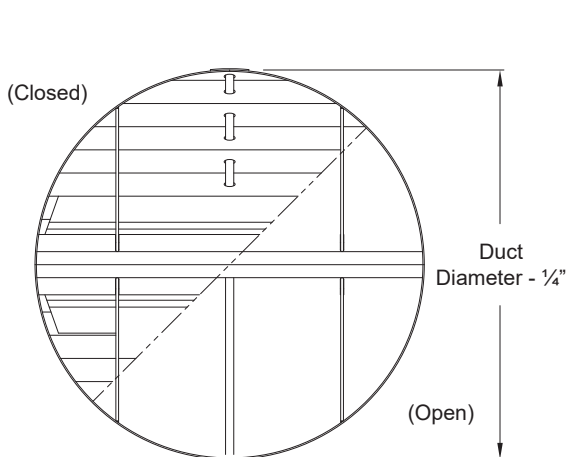
This fire damper meets the construction and performance requirements of:

- Underwriters Laboratories Inc. Standard 555
- National Fire Protection Association Standard 80, 90A, 101
- California State Fire Marshal Listing #3225-0412:002

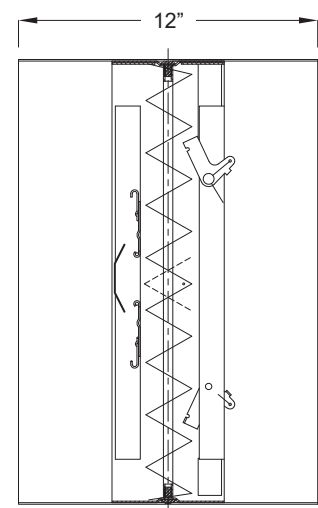
- Underwriters Laboratories Inc. Approved for dual direction airflow and dynamic closure for vertical mount and horizontal mount.
- Underwriters Laboratories Inc. Classified for use in fire resistive ratings of less than 3 hours.

Damper Sizes

		3000 fpm, 4 in. w.g.	
Horizontal & Vertical	Horizontal & Vertical	Minimum Size	Maximum Size
4" dia.	24" dia.		



Damper Detail (Blade Open)
Not to scale.



Damper Detail with optional 12" deep x 20 GA. sleeve (Blade Closed)

Item #	Qty	Damper Size	Horizontal	Vertical	165°F	212°F	Optional Sleeve			
			Orientation		Fusible Link		ECN:		Job:	
Arch. / Eng.:					EDR:		ECN:		Job:	
Contractor:					Date:		DWN:		DWG:	
Project:					Date:		DWN:		DWG:	