

# MODEL MS17

Static Fire Damper • 1½ Hr. Rated • Vertical Mount • Non-Motorized • Galvanized Steel

### Standard Materials and Construction

- FRAME:** 5½" x 7/8" x 16 GA. galvanized steel hat channel.
- BLADES:** 16 GA. galvanized steel, 6" nominal width, parallel action.
- AXLES:** Square, plated solid steel stub.
- BEARINGS:** Oil impregnated bronze.
- LINKAGE:** Plated steel angle and crank plates with stainless steel pivots in-jamb type.
- STOPS:** 18 GA. galvanized steel at head and sill.
- JAMB SEALS:** Stainless Steel.
- FINISH:** Mill.
- ACTUATOR:** Non-motorized spring closure mechanism with 165°F fusible link.

### Options

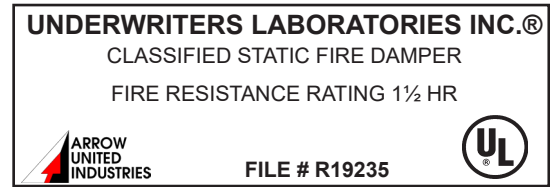
- Sleeve of various depths and gauges
- Round or oval transitions
- 212°F fusible link
- Dual Position Indication Package (see Notes)

### Notes

1. Nominal deductions will be made to the opening size given.
2. Optional auxiliary blade position indication switches are rated at 11A, ½HP, 125VAC. These snap action switches are intended to make or break a circuit and will not provide variable or proportional resistance.

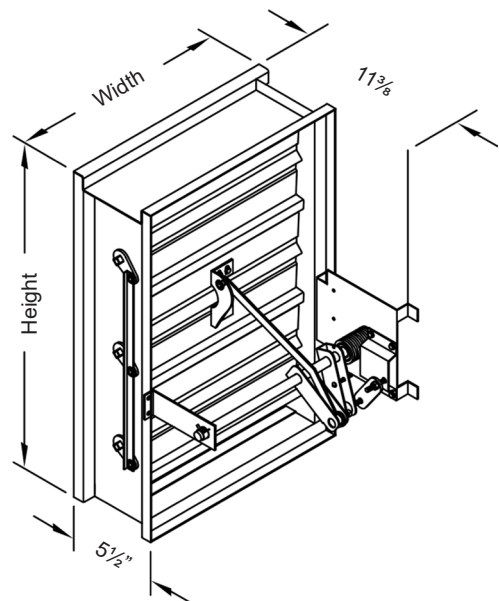
### Damper Sizes


Panels	Min Panel	Max Single Panel	Max Assy Panel
Rectangular	4"W x 4"H (8"W x 8"H frame)	36"W x 48"H	156"W x 96"H
Round	6" dia. (8"W x 8"H frame)	34" dia.	89" dia.
Oval	6"W x 6"H (8"W x 8"H frame)	34"W x 46"H	154"W x 89"H



This fire damper meets the construction and performance requirements of

- Underwriters Laboratories Inc. Standards 555
- National Fire Protection Association Standards 80, 90A, 101
- ICC's International Building Code
- Underwriters Laboratories Inc. Approved for dual direction airflow and static air conditions.
- Underwriters Laboratories Inc. Classified for use in fire resistive ratings of less than 3 hours.



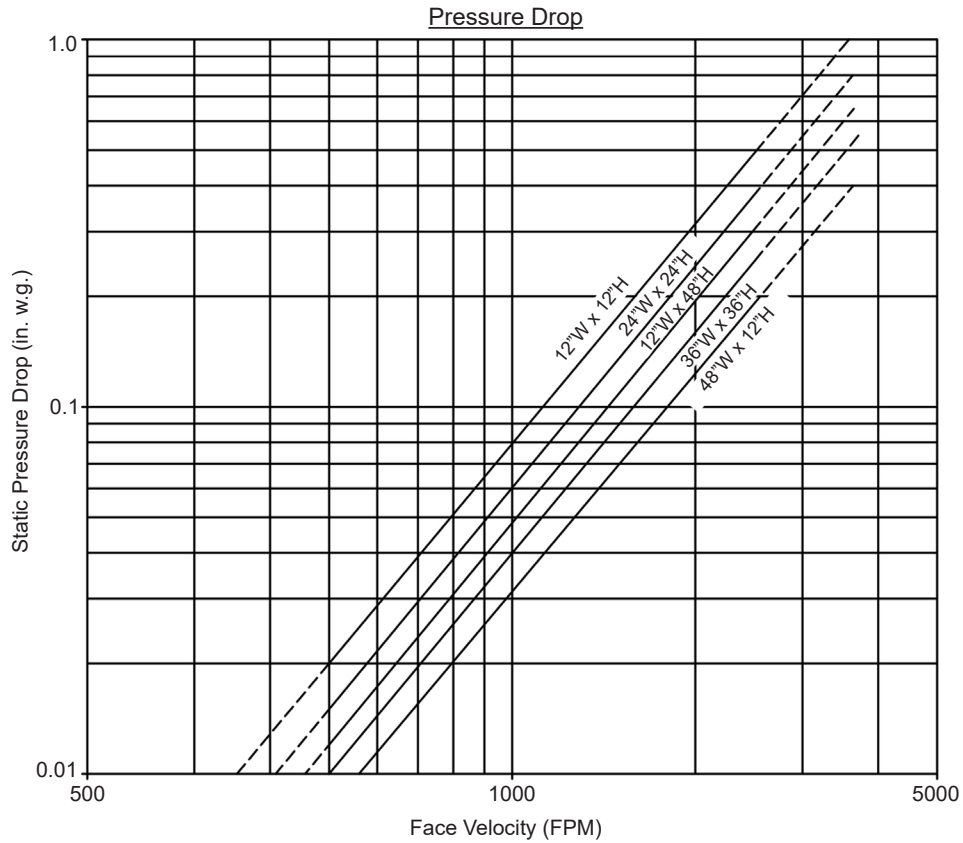
										
Item #	Qty	Damper Size	Horizontal	Vertical	165°F	212°F				
			Orientation		Fusible Link					Union Made
Arch. / Eng.:					EDR:		ECN:		Job:	
Contractor:										
Project:					Date:		DWN:		DWG:	



# MODEL MS17

Static Fire Damper • 1½ Hr. Rated • Vertical Mount • Non-Motorized • Galvanized Steel

## Performance Data



Typical Performance Curve  
Tested per AMCA Standard 500-D; Figure 5.3 (In-Duct Mount)  
(Smaller sizes will have higher pressure drops.)