

Dynamic Fire Damper • 1½ Hr. Rated • Horizontal and Vertical Mount • Non-Motorized • Galvanized Steel


Standard Materials and Construction

- FRAME:** 5½" x 7/8" x 16 GA. galvanized steel hat channel.
- BLADES:** 16 GA. galvanized steel, 6" nominal width, parallel action.
- AXLES:** Square, plated solid steel stub.
- BEARINGS:** Oil impregnated bronze.
- LINKAGE:** Plated steel angle and crank plates with stainless steel pivots in-jamb type.
- STOPS:** 18 GA. galvanized steel at head and sill.
- JAMB SEALS:** Stainless Steel.
- FINISH:** Mill.
- ACTUATOR:** Non-motorized spring closure mechanism with 165°F fusible link.


UNDERWRITERS LABORATORIES INC.®

CLASSIFIED DYNAMIC FIRE DAMPER

FIRE RESISTANCE RATING 1½ HR



FILE # R19235



This fire damper meets the construction and performance requirements of

- Underwriters Laboratories Inc. Standards 555
- National Fire Protection Association Standards 80, 90A, 101
- ICC's International Building Code

- Underwriters Laboratories Inc. Approved for dual direction airflow and dynamic conditions.
- Underwriters Laboratories Inc. Classified for use in fire resistive ratings of less than 3 hours.

Options

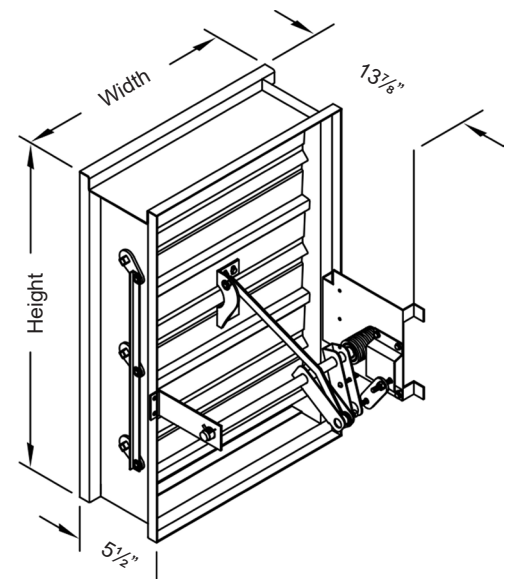
- Sleeve of various depths and gauges
- Round, oval, and square/rectangular transitions
- 212°F fusible link
- Dual Position Indication Package (see Notes)

Notes

1. Width and Height are opening dimensions. Dampers are provided ¼" undercut. Additional undercut may be required based on damper size, refer to installation instructions.
2. Optional auxiliary blade position indication switches are rated at 11A, ½ HP, 125VAC. These snap action switches are intended to make or break a circuit and will not provide variable or proportional resistance.

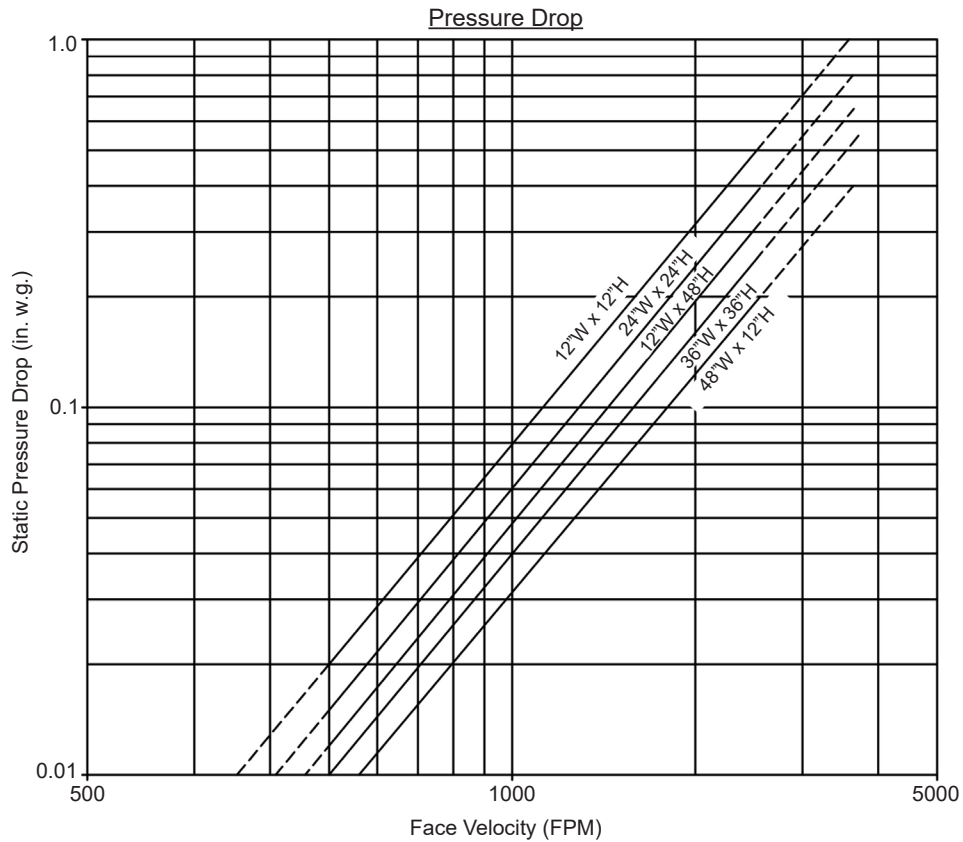
Damper Sizes

		2000 fpm, 4 in.wg				4000 fpm, 4 in.wg
Orientation	Hor & Vert	Horizontal (floor)		Vertical (wall)		Hor & Vert
Panels	Min Panel	Max Single Panel	Max Assy Panel	Max Single Panel	Max Assy Panel	Max Single Panel
Rectangular	4"W x 4"H (8"W x 8"H frame)	36"W x 48"H	72"W x 48"H	36"W x 48"H	72"W x 60"H 126"W x 48"H	36"W x 48"H
Round	6" dia. (8"W x 8"H frame)	34" dia.	46" dia.	34" dia.	58" dia.	34" dia.
Oval	6"W x 6"H (8"W x 8"H frame)	34"W x 46"H	70"W x 46"H	34"W x 46"H	70"W x 58"H 124"W x 46"H	34"W x 46"H




Dynamic Fire Damper • 1½ Hr. Rated • Horizontal and Vertical Mount • Non-Motorized • Galvanized Steel

Performance Data



Typical Performance Curve
 Tested per AMCA Standard 500-D; Figure 5.3 (In-Duct Mount)
 Intake air converted to standard air density.

										
Item #	Qty	Damper Size	Horizontal	Vertical	165°F	212°F				
			Orientation		Fusible Link				Union Made	
Arch. / Eng.:				EDR:		ECN:		Job:		
Contractor:										
Project:				Date:		DWN:		DWG:		

