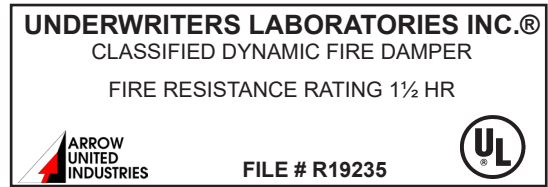


Dynamic Fire Damper • 1½ Hr. Rated • Airfoil Blade • Horizontal and Vertical Mount • Non-Motorized • Galvanized Steel

Standard Materials and Construction

- FRAME:** 5½" x 7⁄8" x 16 GA. galvanized steel hat channel
- BLADES:** 20 GA. double-skinned galvanized steel (equal to 14 GA.), parallel action
- AXLES:** Square, plated solid steel stub
- BEARINGS:** Oil impregnated bronze
- LINKAGE:** Plated steel angle and crank plates with stainless steel pivots, in-jamb type
- STOPS:** 18 GA. galvanized steel at head and sill
- JAMB SEALS:** Stainless steel
- ACTUATOR:** Non-motorized spring closure mechanism with 165°F fusible link
- FINISH:** Mill



This fire damper meets the construction and performance requirements of

- Underwriters Laboratories Inc. Standards 555
- National Fire Protection Association Standards 80, 90A, 101
- ICC's International Building Code
- Underwriters Laboratories Inc. Approved for dual direction airflow and dynamic conditions.
- Underwriters Laboratories Inc. Classified for use in fire resistive ratings of less than 3 hours.

Options

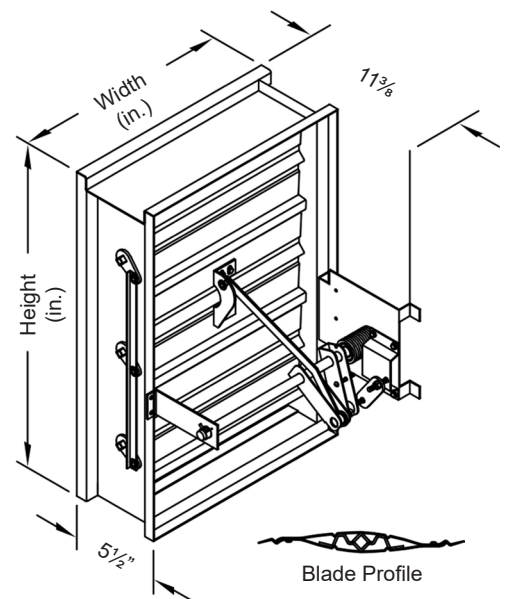
- Type 304 Stainless Steel Construction (Sleeve and in-airstream parts only)
- Sleeve of various depths and gauges
- Round or oval transitions
- 212°F fusible link
- Dual Position Indication Package (see Notes)

Notes

1. Nominal deductions will be made to the opening size given.
2. Approved for vertical and horizontal installations.
3. Optional auxiliary blade position indication switches are rated at 11A, ½ HP, 125VAC. These snap action switches are intended to make or break a circuit and will not provide variable or proportional resistance.

Damper Sizes

		2000 fpm, 4 in.wg		4000 fpm, 4 in.wg
Orientation	Hor and Vert	Horizontal and Vertical		Hor and Vert
Panels	Min Panel	Max Single Panel	Max Assy Panel	Max Single Panel
Rectangular	4"W x 4"H (8"W x 8"H frame)	32"W x 48"H	64"W x 36"H 32"W x 72"H	32"W x 36"H
Round	6" dia. (8"W x 8"H frame)	30" dia.	34" dia.	30" dia.
Oval	6"W x 6"H (8"W x 8"H frame)	30"W x 46"H	62"W x 34"H 30"W x 70"H	30"W x 34"H



Item #	Qty	Damper Size	Horizontal	Vertical	165°F	212°F						
			Orientation		Fusible Link							Union Made
Arch. / Eng.:					EDR:		ECN:		Job:			
Contractor:												
Project:					Date:		DWN:		DWG:			



MODEL MA17

Dynamic Fire Damper • 1½ Hr. Rated • Airfoil Blade • Horizontal and Vertical Mount • Non-Motorized • Galvanized Steel

Performance Data

The pressure drop data shown below is based on laboratory conditions. The test setup does not take into account elbows or other duct fittings that are part of every actual duct system. The configuration of the actual duct system immediately upstream and downstream of the damper often contributes more pressure loss than the damper itself.

