

MODEL ID-200

Steel Control Damper • 4" Deep • Insulated Blades • Parallel Only

Standard Materials and Construction

- FRAME:** 16 GA. galvanized steel hat-shaped channel, 4" deep.
- BLADE:** 18 GA. galvanized steel double thickness, 1" thick with styrofoam insulation sandwiched between metal skins, mechanically fastened together. Blades are approximately 6" on centers.
- AXLES:** 1/2" dia. Cadmium plated steel stub.
- BEARINGS:** Oilite Bronze.
- LINKAGE:** Pivots are .050" dia. steel, Cadmium plated and Chromate treated. A 1/4 - 20 set screw with locking patch locks the pivots to a .312" dia. aluminum rod. Pivots rotate in a celcon bearing. Blade linkages are individually adjusted at the factory for maximum shutoff.
- SEALS:** Polyurethane for blade and jamb.
- DRIVE SHAFT:** 1/2" dia. cadmium plated steel, permanently extended 6" beyond frame for external drive. A blade clip will be provided for internal drive.
- FINISH:** Mill.

Options

- Flanged Frames
- Wider Frames - over 4" deep
- Blades and Frames of other gauges and materials
- Finishes - Enamel, Epoxy, etc.
- Seals - Stainless steel for jambs only

Notes

1. 1/4" nominal deduction will be made to the opening size given.
2. This damper is only available with a parallel blade configuration.
3. Approximate shipping weight is 7.0 lbs per sq.ft.

Damper Sizes

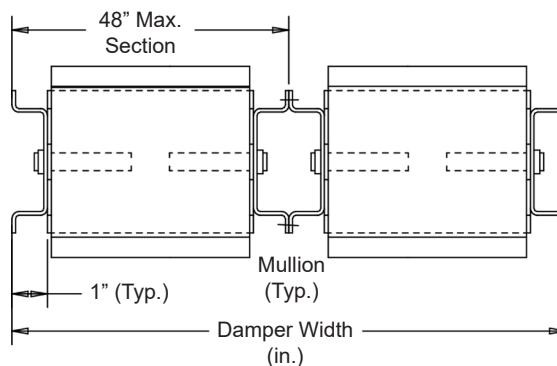
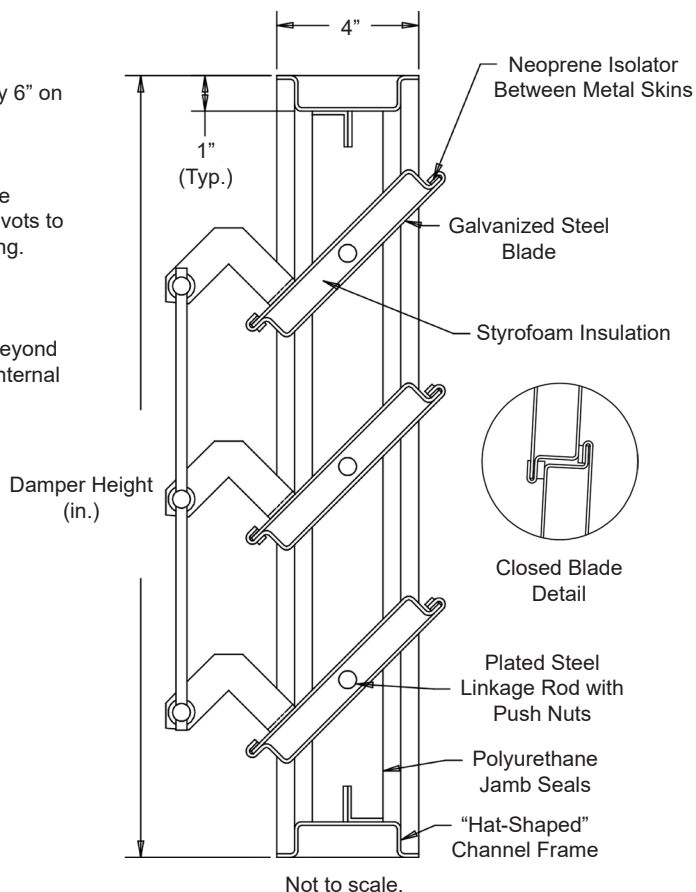
| Min Panel | Max Single Panel |
|----------------|------------------|
| 10"W x 8 3/4"H | 48"W x 72"H |

Insulating Factors

For above construction

R-Value = 4
 U-Factor = .25 BTU per hour per square foot per °F

The above values are based on calculations considering the face area of the damper only. This does not include the frames. Insulation of the damper frame shall be by others.



| Item # | Qty | Width | Height | Width | Height | Union Made |
|---------------|-----|--------------|--------|-------------|--------|------------|
| | | Opening Size | | Damper Size | | |
| Arch. / Eng.: | | | | | | |
| Contractor: | | | | | | |
| Project: | | | | | | |
| EDR: | | ECN: | | Job: | | |
| Date: | | DWN: | | DWG: | | |

