

MODEL FS-630

Formed Steel Louver • 6" Deep • 30° Straight Blades • Stationary • Galvanized Steel

Standard Materials and Construction

- FRAME:** 18-GA. galvanized steel, channel or flanged type.
- BLADE:** 18-GA. galvanized steel. Blades approximately 4" on centers.
- SCREEN:** (When indicated)
1/2" sq. mesh, 19-GA. galvanized steel (.041").
- CONSTRUCTION:** Riveted and/or welded, full jambs with blades, head and sill contained within.

Options

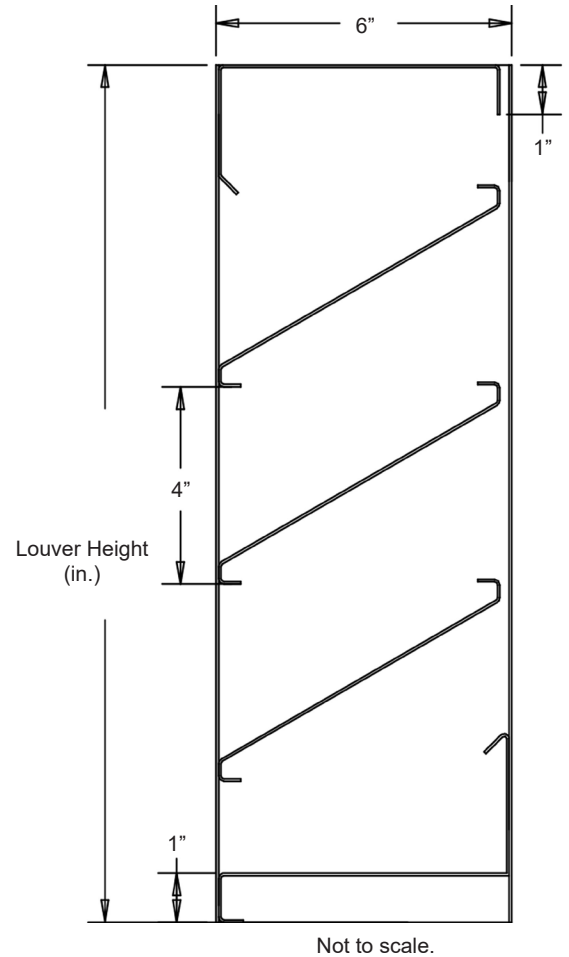
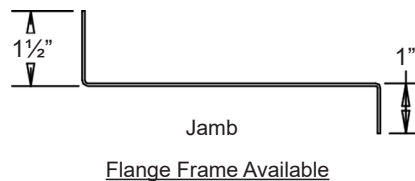
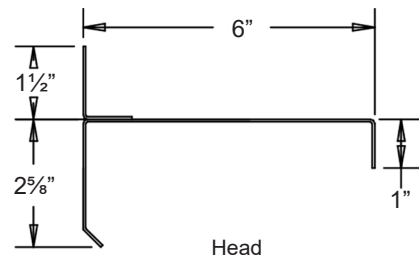
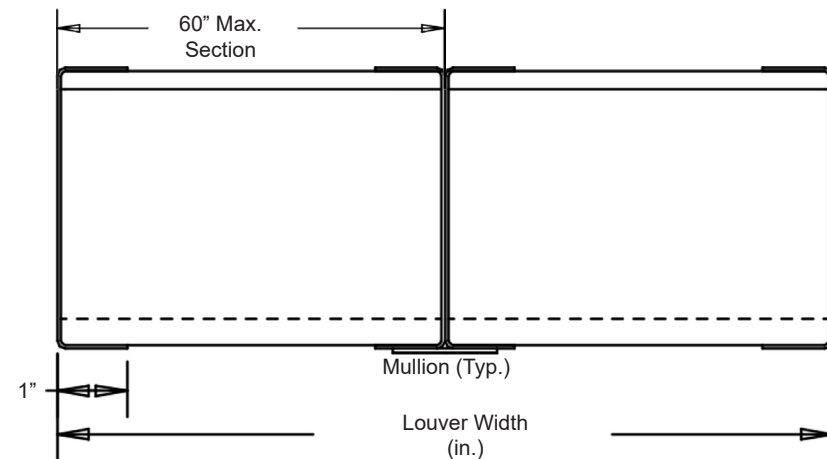
- Frames and Blades of other gauges
- Material - 304 or 316 Stainless steel, Copper, Aluminum, etc.
- Finishes - Enamels, Epoxies, etc.
- Screens - Insect screen 1/16 aluminum mesh,
-or- 1/2" flattened aluminum, .051",
-or- 1/4" sq. mesh, 18-GA galvanized steel, .047",
-or- 1/2" sq. mesh, 18-GA stainless steel, .047",
Others available.


Notes

1. 1/2" nominal deduction will be made to the opening size given.
2. Approximate shipping weight is 11.0 lbs./sq.ft.

Louver Sizes

Min Panel	Max Single Panel
12"W x 12"H	60"W x 96"H



												
Item #	Qty	Width	Height	Width	Height	Mullion	Type	Location				
Arch. / Eng.:		Opening Size		Louver Size		EDR:	Screens		ECN:	Job:		
Contractor:						Date:	DWN:	DWG:				