

# MODEL FS-446-D

Formed Steel Louver • 4" Deep • 45° Drainable Blades • Adjustable • Galvanized Steel

### Standard Materials and Construction

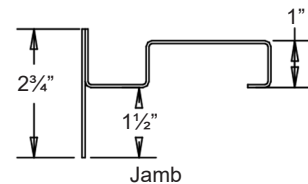
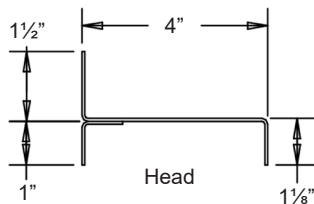
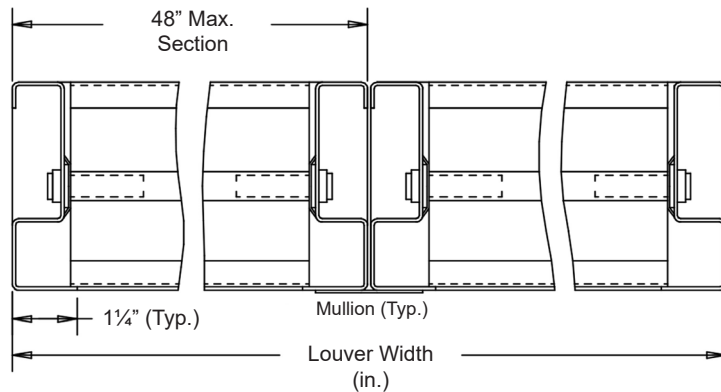
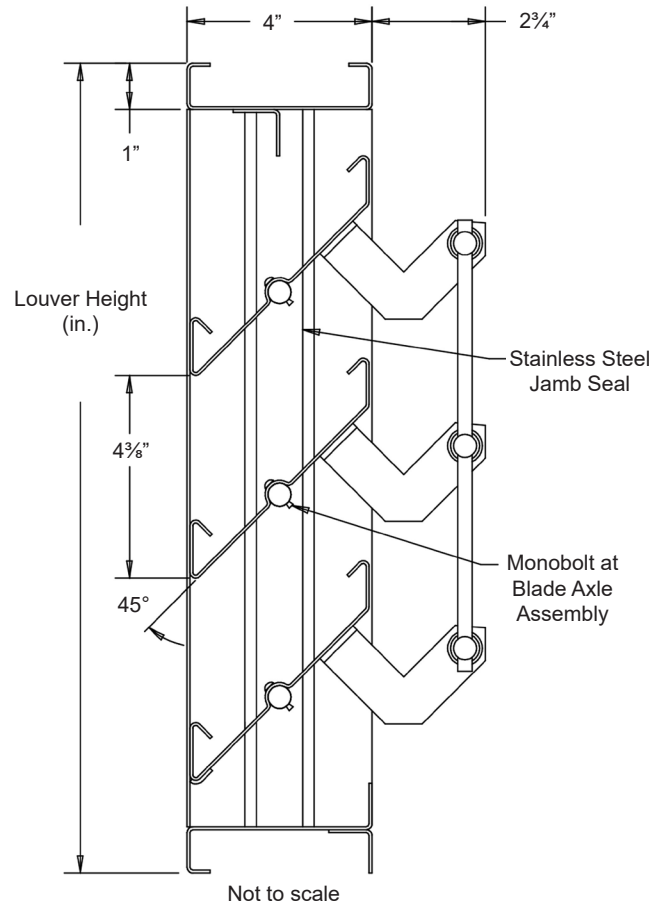
- FRAME:** 18-GA. galvanized steel, channel type.
- BLADE:** 18-GA. galvanized steel.
- SHAFT:** ½" diameter plated steel stub mechanically fastened to blade with a monobolt.
- BEARINGS:** Self lubricated bronze Oilite.
- LINKAGE:** Chevron type formed bracket of ⅛" thick plated steel. Trunnion is a machined pivot of plated steel with a ⅝" diameter rod.
- SEALS:** Stainless steel at jambs.
- SCREEN:** On exterior face, (when indicated)  
½" sq. mesh, 19-GA. galvanized steel (.041").
- FINISH:** Mill.

### Options

- Frames and Blades of other gauges
- Materials - 304 or 316 Stainless steel, Copper, Aluminum, etc.
- Neoprene blade edge seals
- Finishes - Enamels, Epoxies, etc.
- Screens - Insect screen ⅜" aluminum mesh, .011",  
-or- ½" flattened aluminum, .051" thk.,  
-or- ¼" sq. mesh, 18-GA. galvanized steel, .047",  
-or- ½" sq. mesh, 16-GA. stainless steel, .063".

### Notes

1. ½" nominal deduction will be made to the opening size given.
2. Approximate shipping weight is 7.5 lbs./sq.ft.



Flange Frame available.

Item #	Qty	Width	Height	Width	Height	Mullion	Type	Location	Union Made
		Opening Size		Louver Size			Screens		
Arch. / Eng.:						EDR:		ECN:	Job:
Contractor:									
Project:						Date:		DWN:	DWG:

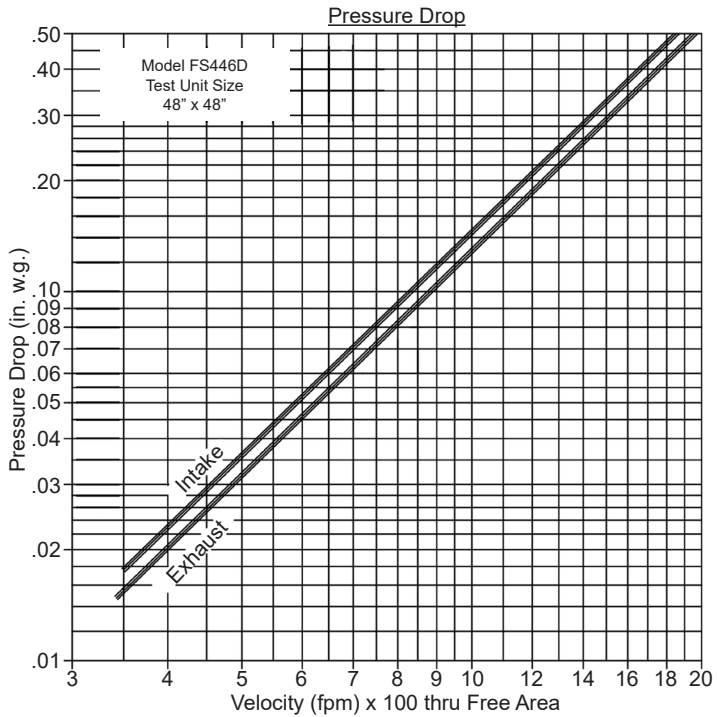


Performance Data

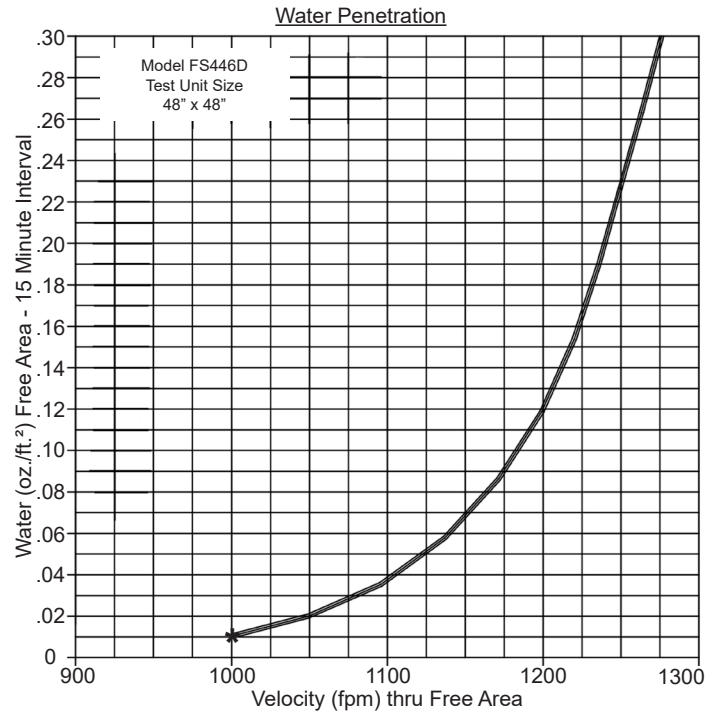
Pressure Drop: .16 in. w.g. at 1050 fpm  
 Free Area: 7.03 sq.ft. = 43.9% for 48"W x 48"H sample tested in accordance with AMCA Standard 500-L.

Beginning Point of Water Penetration: 1002 (fpm)

Ratings do not include the effects of a screen.



Intake air converted to standard air density.  
 Tested to AMCA Standard 500-L, Figure 5.5.



1002 (FPM) Beginning Point of Water Penetration.

Free Area (sq. ft.)

		Width (in.)								
		12"	18"	24"	30"	36"	42"	48"	54"	60"
Height (in.)	12"	.21	.34	.47	.60	.73	.86	.99	1.12	1.26
	24"	.63	1.03	1.43	1.83	2.23	2.63	3.03	3.34	3.83
	36"	1.08	1.76	2.45	3.13	3.81	4.50	5.18	5.86	6.54
	48"	1.47	2.40	3.33	4.26	5.19	6.12	7.03	7.98	8.91
	60"	1.85	3.01	4.18	5.35	6.61	7.68	8.84	10.01	11.18
	72"	2.28	3.72	5.16	6.60	8.04	9.48	10.92	12.36	13.80
	84"	2.73	4.45	6.18	7.90	9.62	11.35	13.07	14.79	16.52
	96"	3.11	5.08	7.04	9.00	10.97	12.93	14.90	16.86	18.83