

MODEL FS-405-6

Formed Steel Louver • 6" Deep • 45° Baffle Blades • Stationary • Galvanized Steel

Standard Materials and Construction

FRAME: 18-GA. galvanized steel.

BLADE: 18-GA. galvanized steel. Blades approximately 6 1/16" on centers.

SCREEN: (When indicated)

1/2" sq. mesh, 19-GA. galvanized steel (.041").

CONSTRUCTION: Riveted and/or welded, full jambs with blades, head and sill contained within.

Options

Flange Frame available.

Finishes - Enamels, Epoxies, etc.

Materials - 304 or 316 Stainless steel.

Screens - Insect screen 1 1/16 aluminum mesh,

-or- 1/2" flattened aluminum, .051",

-or- 1/4" sq. mesh, 18-GA galvanized steel, .047",

-or- 1/2" sq. mesh, 18-GA stainless steel, .047",

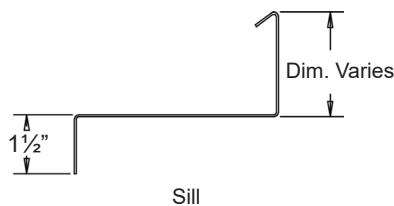
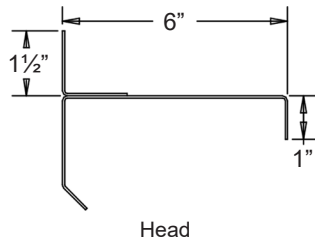
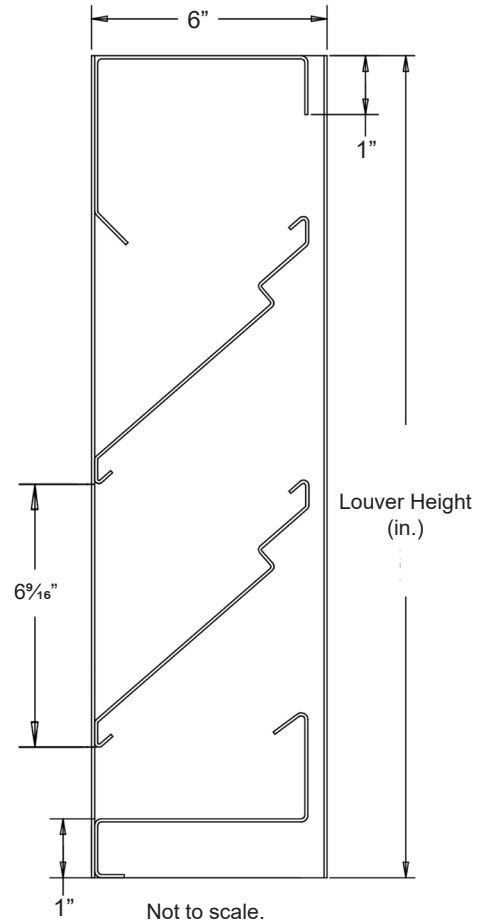
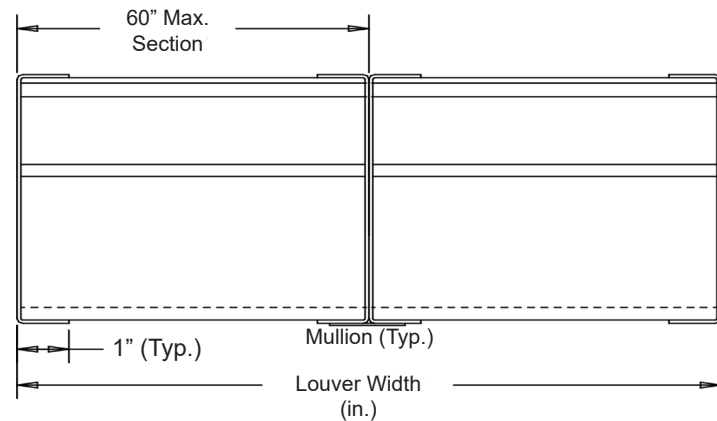
Others available.

Notes

- 1/2" nominal deduction will be made to the opening size given.
- Average shipping weight is 8.5 lbs./sq.ft.

Louver Sizes

Min Panel	Max Single Panel
12"W x 12"H	60"W x 96"H



Flanged Frame Available

Item #	Qty	Width	Height	Width	Height	Mullion	Type	Location	Union Made
		Opening Size		Louver Size			Screens		
Arch. / Eng.:						EDR:	ECN:	Job:	
Contractor:									
Project:						Date:	DWN:	DWG:	



MODEL FS-405-6**Formed Steel Louver • 6" Deep • 45° Baffle Blades • Stationary • Galvanized Steel**Free Area Table

		Free Area (sq.ft.)								
		Width (in.)								
		12"	18"	24"	30"	36"	42"	48"	54"	60"
Height (in.)	12"	.20	.32	.45	.57	.69	.81	.93	1.06	1.18
	24"	.59	.95	1.31	1.67	2.02	2.38	2.74	3.09	3.45
	36"	1.12	1.80	2.47	3.15	3.82	4.50	5.17	5.84	6.52
	48"	1.57	2.52	3.46	4.41	5.35	6.30	7.33	8.19	9.13
	60"	2.10	3.37	4.63	5.89	7.15	8.41	9.67	10.94	12.20
	72"	2.55	4.08	5.61	7.14	8.67	10.20	11.73	13.26	14.79
	84"	3.19	5.11	7.03	8.94	10.86	12.78	14.69	16.61	18.52
96"	3.39	5.42	7.45	9.48	11.51	13.55	15.58	17.61	19.64	