

MODEL FS-150

Formed Steel Louver • 1½" Deep • 45° Straight Blades • Stationary • Galvanized Steel

Standard Materials and Construction

FRAME: 18-GA. galvanized steel, channel or flanged type.

BLADE: 18-GA. galvanized steel. Blades approximately 2½" on centers.

SCREEN: (When indicated)
½" sq. mesh, 19-GA. galvanized steel (.041").

CONSTRUCTION: Riveted and/or welded for maximum service.

Options

Frames and Blades of other gauges

Material - 304 or 316 Stainless steel, Copper, Aluminum, etc.

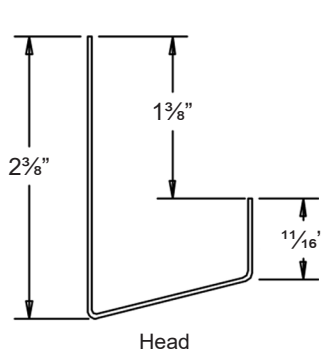
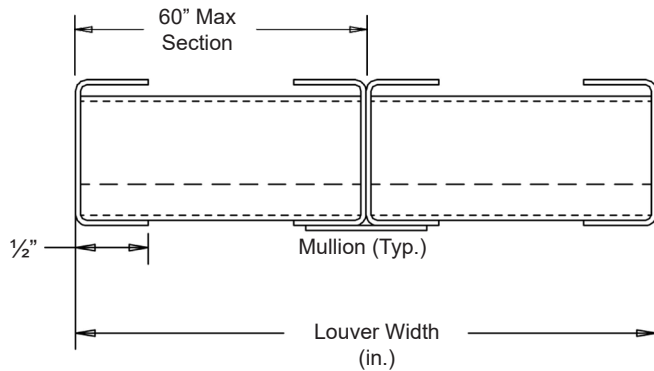
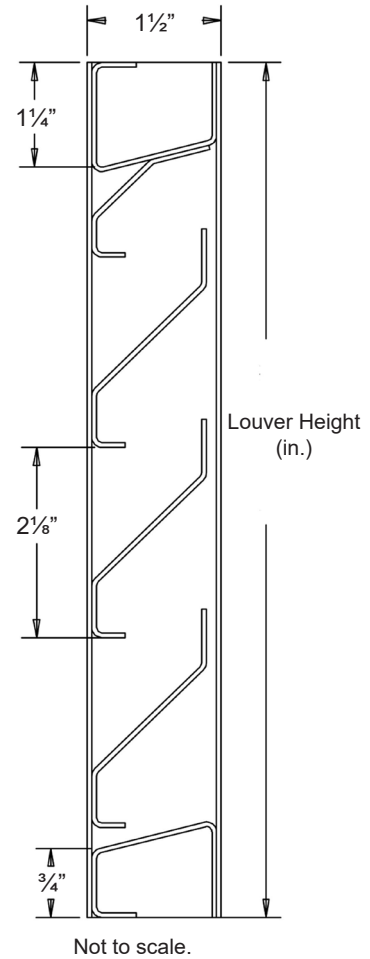
Finishes - Enamels, Epoxies, etc.

Screens - Insect screen ⅜" aluminum mesh,

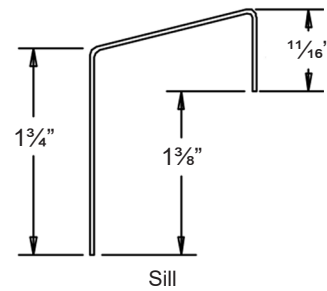
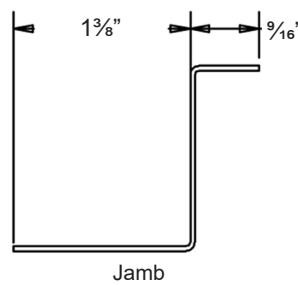
- or- ½" flattened aluminum, .051",
 - or- ¼" sq. mesh, 18-GA galvanized steel, .047",
 - or- ½" sq. mesh, 18-GA stainless steel, .047",
- Others available.

Notes

1. ½" nominal deduction will be made to the opening size given.
2. Approximate shipping weight is 5.5 lbs./sq.ft.



Flange Frame Available



Item #	Qty	Width	Height	Width	Height	Mullion	Type	Location	Union Made
		Opening Size		Louver Size			Screens		
Arch. / Eng.:						EDR:	ECN:	Job:	
Contractor:									
Project:						Date:	DWN:	DWG:	

