

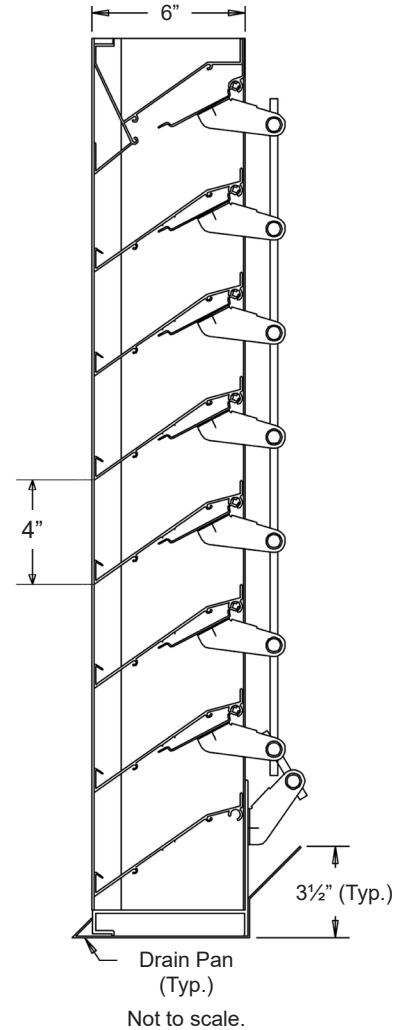
# MODEL EA-64-C

Miami-Dade HVHZ Louver • 6" Deep • Drainable Blades • Combination • Extruded Aluminum

### Standard Materials and Construction

- FRAME:** .125" thick (nominal) extruded aluminum, 6063-T52/T6 alloy. Channel frame. Welded construction.
- BLADE:** .081" thick (nominal) extruded aluminum, 6063-T52/T6 alloy, and welded construction used for the stationary blades. .050" thick (nominal) extruded aluminum, 6063-T52/T6 alloy with full length axles used for the adjustable blades. Blades approximately 4" on centers.
- SEALS:** Vinyl on blade and jambs.
- LINKAGE:** Plated steel brackets, brass barrels, 5/16" dia. plated steel linkage rod.
- ACTUATOR:** Individual panel wing screw.
- LOUVER FACE:** Full width sill with head and blades contained within jambs.
- SCREEN:** (When indicated, in a removable frame located on the exterior louver face.)  
 1/2" flattened aluminum (.051" thick),  
 -or- 1/2" sq. mesh, intermediate double-crimped aluminum wire, .063" dia.,  
 -or- 1 1/16" mesh, .011" dia. aluminum wire, insect screen.
- FINISH:** Mill

Withstands pressures up to ±180 PSF.



### Test Methods

Passed the following Miami-Dade County Florida Test Protocols:

- TAS (PA) 100
- TAS (PA) 201
- TAS (PA) 202
- TAS (PA) 203

### Options

Finish - Baked Enamel, Kynar, Anodize

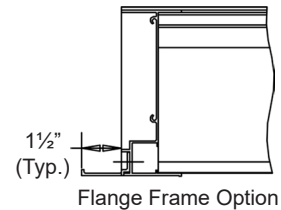
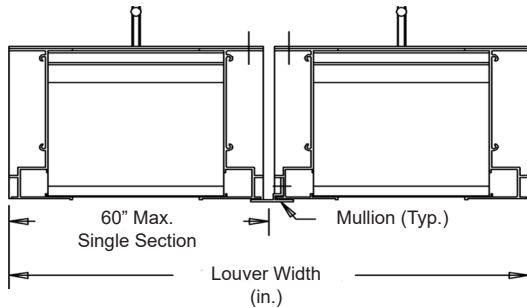
### Notes

1. 1/2" nominal deduction will be made to the opening size given.
2. Approximate shipping weight is 9.0 lbs./sq.ft.

### Louver Sizes

Min Panel	Max Single Panel
12"W x 12"H	60"W x 96"H

- Windload requirements may limit panel sizes.



Item #	Qty	Width	Height	Width	Height	Mullion	Type	Location	Union Made
		Opening Size		Louver Size			Screens		
Arch. / Eng.:						EDR:	ECN:	Job:	
Contractor:									
Project:						Date:	DWN:	DWG:	



Visit our Miami-Dade Listing Page for the latest NOA information:  
<https://goo.gl/DJ5UtM>

In the interest of product development, Arrow United reserves the right to make changes without notice.  
 450 Riverside Dr • Wyalusing PA, 18853 • Phone 570-746-1888 • Fax 570-746-9286  
 AUI-09-01-05

# MODEL EA-64-C

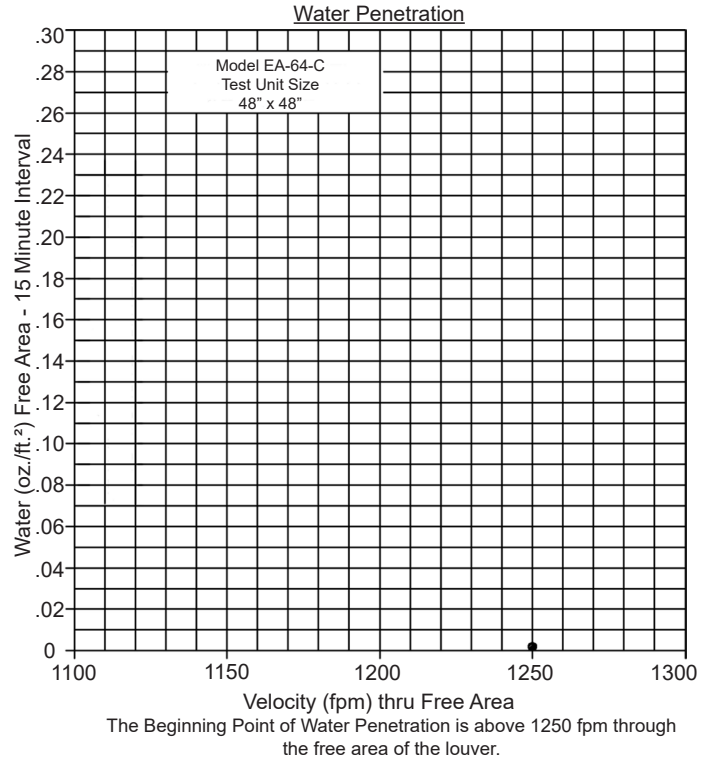
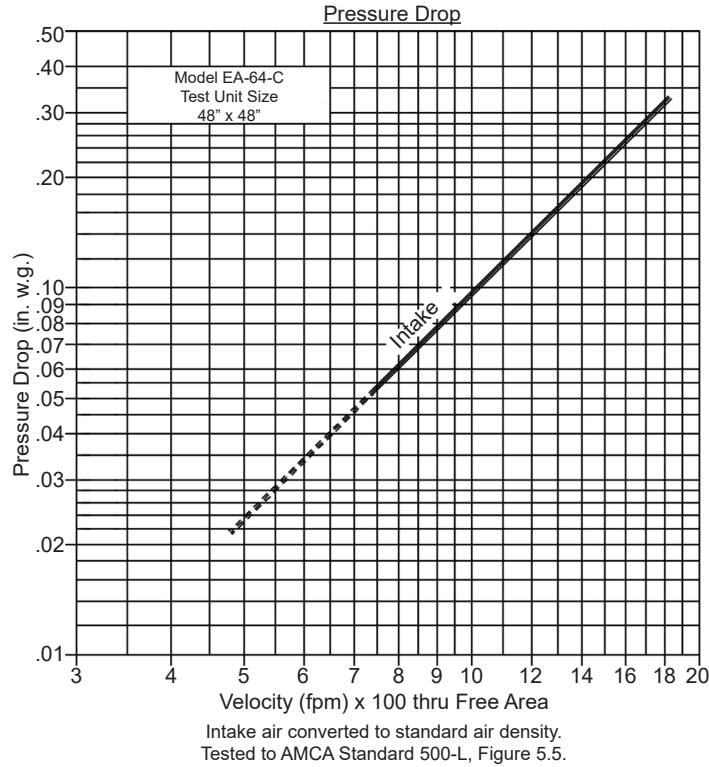
Miami-Dade HVHZ Louver • 6" Deep • Drainable Blades • Combination • Extruded Aluminum

## Performance Data

Pressure Drop: .10 in. w.g. at 1000 fpm (intake)  
 Free Area: 8.19 sq.ft. = 51% for 48"W x 48"H sample tested in accordance with AMCA Standard 500-L.

Beginning Point of Water Penetration: Over 1250 fpm

Ratings do not include effects of a screen.



AMCA Standard 500-L limits testing of water penetration to either a maximum velocity of 1250 fpm or 2.5 ounces of water per square foot of louver free area.

**Free Area (sq.ft.)**

		Width (in.)							
		12"	18"	24"	30"	36"	42"	48"	60"
Height (in.)	12"	.15	.26	.37	.49	.60	.71	.82	1.04
	24"	.61	1.06	1.50	1.94	2.39	2.83	3.28	4.17
	36"	1.07	1.85	2.62	3.40	4.18	4.96	5.73	7.29
	48"	1.53	2.64	3.75	4.86	5.97	7.08	8.19	10.41
	60"	1.99	3.43	4.87	6.32	7.76	9.21	10.65	13.54
	72"	2.44	4.22	6.00	7.78	9.55	11.33	13.11	16.66
	84"	2.90	5.01	7.12	9.23	11.34	13.45	15.57	19.79
	96"	3.36	5.80	8.25	10.69	13.14	15.58	18.02	22.91

Air Leakage with adjustable blades in closed position with a seating torque of 8 in.lb./sq.ft. of louver face. Values are in total (CFM) at 0.5 in. w.g. Differential pressure in (SCFM).

		Width (in.)				
		12"	24"	36"	48"	60"
Height (in.)	12"	5	11	16	22	27
	24"	11	22	33	44	54
	36"	16	33	49	65	82
	48"	22	44	65	87	109
	60"	27	54	82	109	136
	72"	33	65	98	131	163
	84"	38	76	114	152	190
96"	44	87	131	174	218	



Arrow United Industries certifies that the Model EA-64-C shown herein is licensed to bear the AMCA seal. The ratings shown are based on tests and procedures performed in accordance with AMCA Publication 511 and comply with the requirements of the AMCA Certified Ratings Program. The AMCA Certified Ratings Seal applies to Water Penetration and Air Performance Ratings only.

Visit our Miami-Dade Listing Page for the latest NOA information:  
<https://goo.gl/DJ5UtM>

